

Amphenol

Micro-D Series Connectors
Rev 04-22



Amphenol

TABLE OF CONTENTS	Page
Connector Introduction	2
Connector Type	3
Pin Configuration	4
Connector Parameters	5-6
Mounting Arrangement	7
Wire (MIL-STD-681) Color Code Chart	8-9
Solder & Wire Type Connector	10
Ordering Information - Solder & Crimp Type	11
PCB Mount Connectors	12-19
Ordering Information - PCB Mount Connectors	20
Hardware Details	21
Amphenol Part No. Reference	22-31
Micro - D Backshell	
Introduction	33
Standard EMI Backshell Circular Entry	34-35
Strain Relief EMI Backshell Circular Entry	36
EMI Backshell With Shield Sock	37
RFI/EMI Elliptical Banding Backshell	38-39
Hardware Details	40
Ordering Information Backshell	41

INTRODUCTION

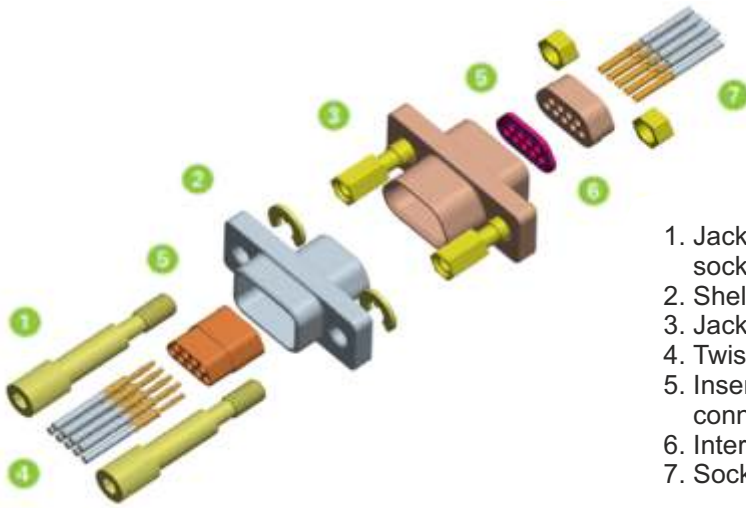
Micro-D connectors are miniaturized connectors used in application where weight, space and long term performance are required.

Amphenol's Micro-D connectors use twist pin contact design for pin contacts which are flexible and highly reliable.

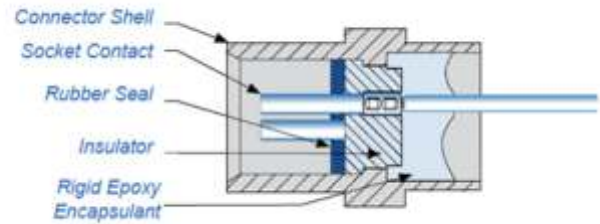
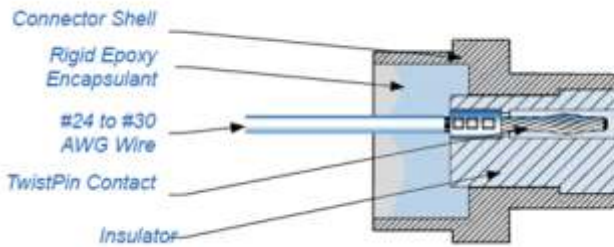
Micro-D connectors are available in pigtail type, solder type & PCB mount type with wide variety of mounting fasteners.

Amphenol India also has a full range of Micro-D Backshells to provide end-to-end solution.

Connector Introduction



1. Jack Screw: High or low profile, hexagonal slotted or socket head
2. Shell: Connector metal body
3. Jackpost: Mates with jackscrew
4. Twist Pin: Male contact, fitted to plug connector
5. Insert: Moulded insulation housing, separating each connector
6. Interfacial Seal: Fitted on socket connector only
7. Socket: Female contact, fitted to socket connector



Twist Pin Contact:

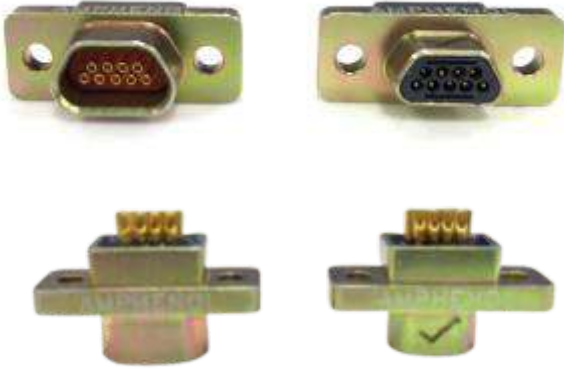


Socket Contact:



Connector Type

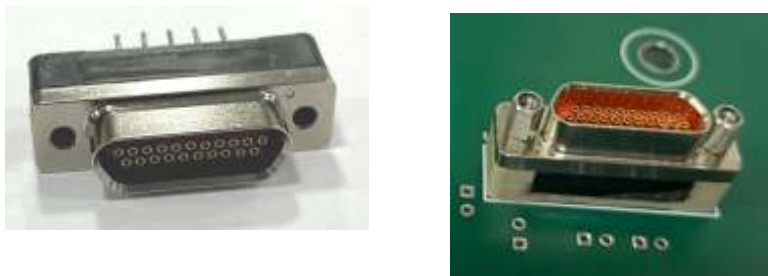
1) MDC-AL Series Solder Cup, Metal Shell Type :
(Similar to MIL-DTL-83513/01,02)

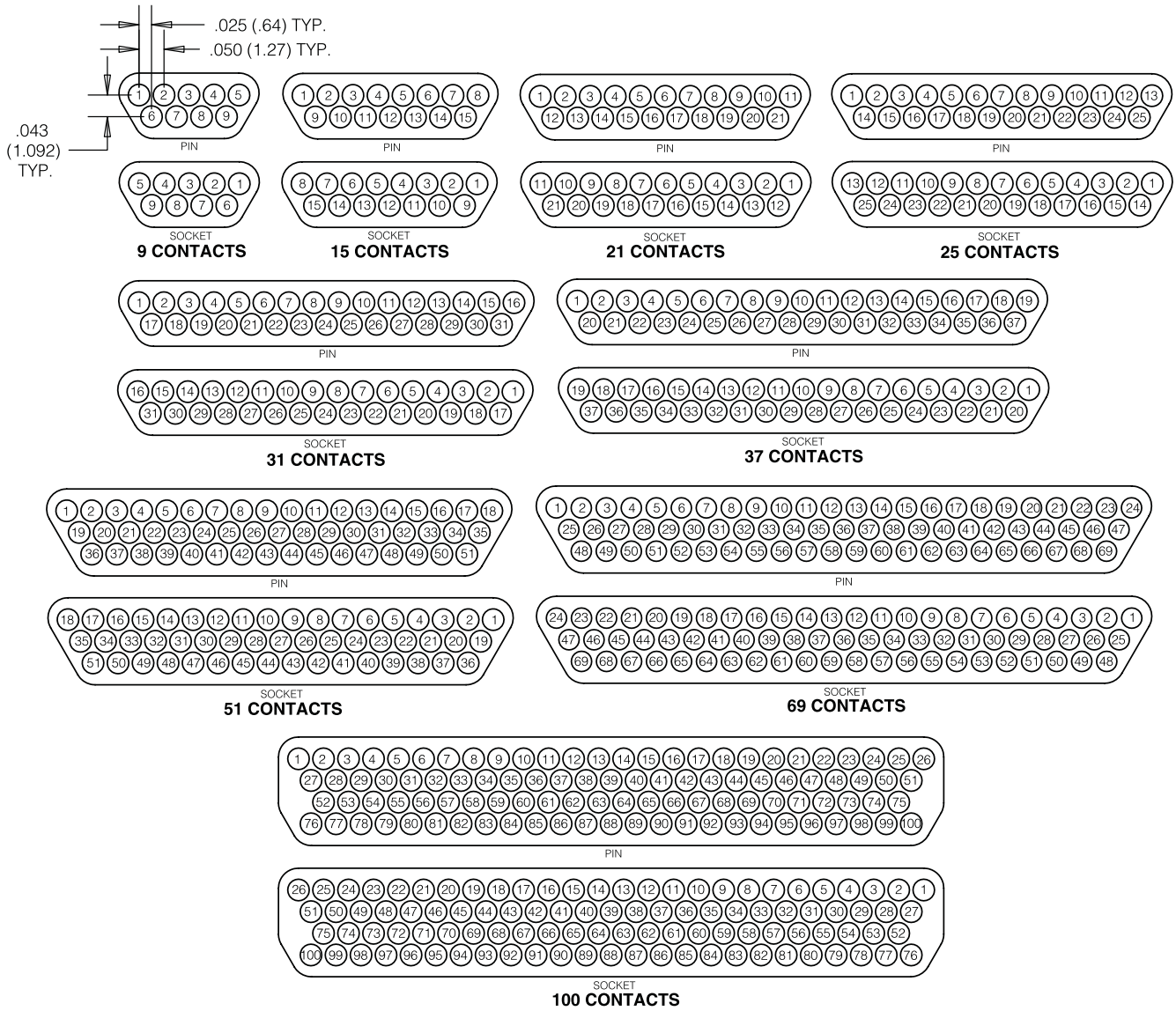


2) MDC-AL Series Pigtail Connector, Metal Shell Type :
(Similar to MIL-DTL-83513/03,04)



3) MDC - PCB Mount Connector, Metal Shell Type :
(Similar to MIL-DTL-83513/10 thru 33)





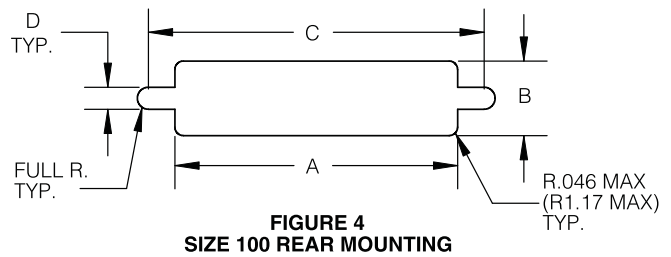
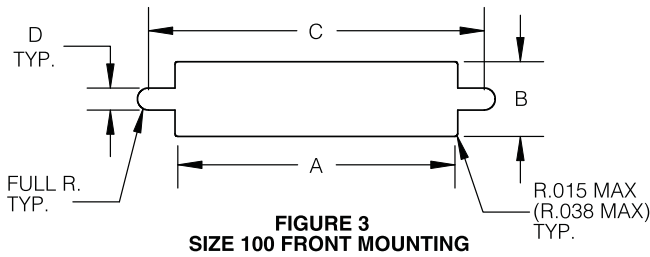
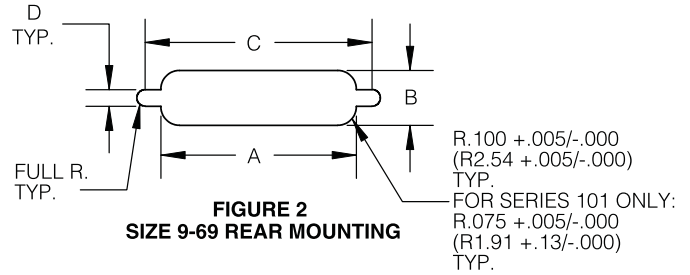
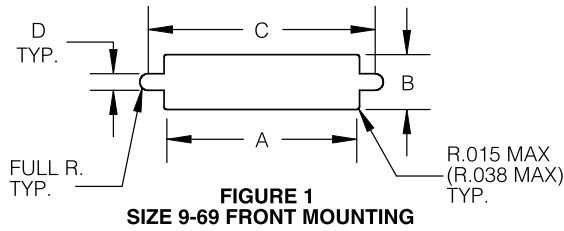
Note: Only representative purpose. Not marked on connectors.

Connector Parameters

Test Description	Specification/Method	Limits
Contact Rating	--	3 amps max.
Magnetic Permeability	ASTM-A342/A342M	2.0 μ max.
D.W.V.	EIA-364-20	at sea level: 600 vac for solder pot and standard wire
(Test voltage rms 60 Hz ac volts)		at 70,000 ft altitude (reduced barometric pressure): 150 vac for solder pot and standard wire
Insulation Resistance	EIA-364-21	5000 megohms min.
Contact Resistance	EIA-364-23	65mV at 2.5 amps (Wire SAE AS22759/11) 75mV at 2.5 amps (Wire SAE AS22759/33)
Low Level Contact Resistance	EIA-364-23	28 mohm:- Wire SAE AS22759/11 32 mohm:- Wire SAE AS22759/33
Contact Engagement Force	MIL-DTL-83513	6.0 oz. max.
Contact Separation Force	MIL-DTL-83513	0.5 oz. min.
Connector Mating Force	MIL-DTL-83513	(10 oz. times no. of contacts) max.
Connector Unmating Force	MIL-DTL-83513	(0.5 oz. times no. of contacts) min.
Thermal Shock (Temperature Cycling)	EIA-364-32, condition I, 5 cycles	No physical damage -55°C to +125°C (-67°F to +257°F)
Mechanical Shock (Specified Pulse)	EIA-364-27, condition E	No physical damage and no loosening of parts No loss of continuity > 1 microsec.
Vibration	EIA-364-28, condition IV	No physical damage and no loosening of parts No loss of continuity > 1 microsec.
Durability	MIL-DTL-83513	500 mating cycles at a rate of 200 \pm 100 CPH
Salt Spray (Corrosion)	EIA-364-26, condition B	Meets mateability and contact resistance requirements
Fluid Immersion	MIL-DTL-83513	Meets mateability requirements

Test Description	Specification/Method	Limits
Humidity	EIA-364-31	Meets D.W.V. and insulation resistance requirements 1 megohm min. after step 6, 1000 megohms min. after 24 hrs of conditioning
Insert Retention (class M)	MIL-DTL-83513	50 lbs psi (axial load)
Resistance to Soldering Heat		No Physical damage & should meet dimensional requirements
Solderability	MIL-STD-202, method 208	Withstand test condition
Contact Retention	EIA-364-29	5 lbs min. (axial load)
Crimp Tensile Strength (type I contacts only)		No Break or Pull out at less than 5 Pounds & 10 Pounds for wire

Mounting Arrangement (Panel Cutout)



Size	Figure	Dimensions							
		A		B		C		D	
		Inch	mm	Inch	mm	Inch	mm	Inch	mm
		+0.004 -0.000	+0.10 -0.00	+0.004 -0.000	+0.10 -0.00	+0.005 -0.000	+0.13 -0.00	+0.005 -0.000	+0.13 -0.00
9	1	0.406	10.31	0.257	6.53	0.570	14.48	0.089	2.26
	2	0.402	10.21	0.272	6.91	0.570	14.48	0.089	2.26
15	1	0.556	14.12	0.257	6.53	0.720	18.29	0.089	2.26
	2	0.552	14.02	0.272	6.91	0.720	18.29	0.089	2.26
21	1	0.706	17.93	0.257	6.53	0.870	22.10	0.089	2.26
	2	0.702	17.83	0.272	6.91	0.870	22.10	0.089	2.26
25	1	0.806	20.47	0.257	6.53	0.970	24.64	0.089	2.26
	2	0.802	20.37	0.272	6.91	0.970	24.64	0.089	2.26
31	1	0.956	24.28	0.257	6.53	1.120	28.45	0.089	2.26
	2	0.852	21.64	0.272	6.91	1.120	28.45	0.089	2.26
37	1	1.106	28.09	0.257	6.53	1.270	32.26	0.089	2.26
	2	1.102	27.99	0.272	6.91	1.270	32.26	0.089	2.26
51	1	1.056	26.82	0.300	7.62	1.220	30.99	0.089	2.26
	2	1.052	26.72	0.312	7.92	1.220	30.99	0.089	2.26
100	3	1.456	36.98	0.343	8.71	1.805	45.85	0.118	3.00
	4	1.444	36.68	0.362	9.19	1.805	45.85	0.118	3.00

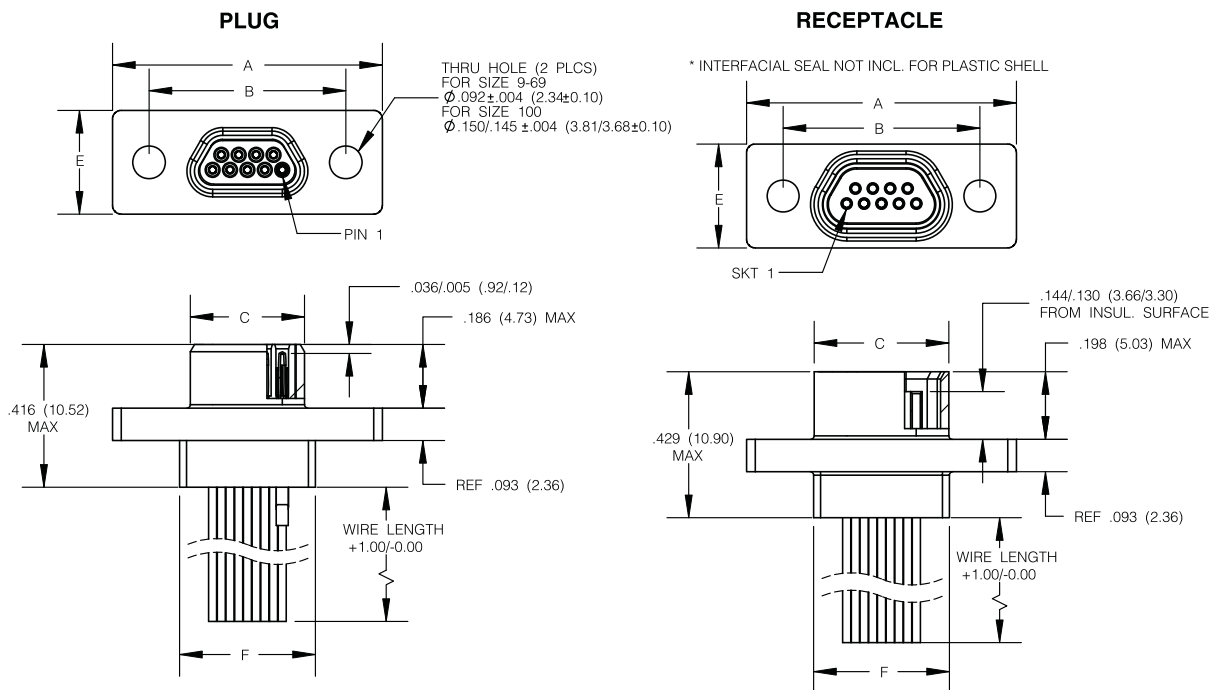
WIRE (MIL-STD-681) COLOR CODE CHART										
Pin No.	MIL-STD-681 Identification no	Base Color	First Stripe	Second Stripe	Pin No.	MIL-STD-681 Identification no	Base Color	First Stripe	Second Stripe	Third Stripe
1	0	Black			51	957	White	Green	Violet	
2	1	Brown			52	958	White	Green	Gray	
3	2	Red			53	967	White	Blue	Violet	
4	3	Orange			54	968	White	Blue	Gray	
5	4	Yellow			55	978	White	Violet	Gray	
6	5	Green			56	9012	White	Black	Brown	Red
7	6	Blue			57	9013	White	Black	Brown	Orange
8	7	Violet			58	9014	White	Black	Brown	Yellow
9	8	Gray			59	9015	White	Black	Brown	Green
10	9	White			60	9016	White	Black	Brown	Blue
11	90	White	Black		61	9017	White	Black	Brown	Violet
12	91	White	Brown		62	9018	White	Black	Brown	Gray
13	92	White	Red		63	9023	White	Black	Red	Orange
14	93	White	Orange		64	9024	White	Black	Red	Yellow
15	94	White	Yellow		65	9025	White	Black	Red	Green
16	95	White	Green		66	9026	White	Black	Red	Blue
17	96	White	Blue		67	9027	White	Black	Red	Violet
18	97	White	Violet		68	9028	White	Black	Red	Gray
19	98	White	Gray		69	9034	White	Black	Orange	Yellow
20	901	White	Black	Brown	70	9035	White	Black	Orange	Green
21	902	White	Black	Red	71	9036	White	Black	Orange	Blue
22	903	White	Black	Orange	72	9037	White	Black	Orange	Violet
23	904	White	Black	Yellow	73	9038	White	Black	Orange	Gray
24	905	White	Black	Green	74	9045	White	Black	Yellow	Green
25	906	White	Black	Blue	75	9046	White	Black	Yellow	Blue
26	907	White	Black	Violet	76	9047	White	Black	Yellow	Violet
27	908	White	Black	Gray	77	9048	White	Black	Yellow	Gray
28	912	White	Brown	Red	78	9056	White	Black	Green	Blue
29	913	White	Brown	Orange	79	9057	White	Black	Green	Violet
30	914	White	Brown	Yellow	80	9058	White	Black	Green	Gray
31	915	White	Brown	Green	81	9067	White	Black	Blue	Violet
32	916	White	Brown	Blue	82	9068	White	Black	Blue	Gray
33	917	White	Brown	Violet	83	9078	White	Black	Violet	Gray
34	918	White	Brown	Gray	84	9123	White	Brown	Red	Orange
35	923	White	Red	Orange	85	9124	White	Brown	Red	Yellow
36	924	White	Red	Yellow	86	9125	White	Brown	Red	Green
37	925	White	Red	Green	87	9126	White	Brown	Red	Blue
38	926	White	Red	Blue	88	9127	White	Brown	Red	Violet
39	927	White	Red	Violet	89	9128	White	Brown	Red	Gray
40	928	White	Red	Gray	90	9134	White	Brown	Orange	Yellow
41	934	White	Orange	Yellow	91	9135	White	Brown	Orange	Green
42	935	White	Orange	Green	92	9136	White	Brown	Orange	Blue

MIL-STD-681 COLOR CODE CHART CONTINUED										
Pin No.	MIL-STD-681 Identification no	Base Color	First Stripe	Second Stripe	Pin No.	MIL-STD-681 Identification no	Base Color	First Stripe	Second Stripe	Third Stripe
43	936	White	Orange	Blue	93	9137	White	Brown	Orange	Violet
44	937	White	Orange	Violet	94	9138	White	Brown	Orange	Gray
45	938	White	Orange	Gray	95	9145	White	Brown	Yellow	Green
46	945	White	Yellow	Green	96	9146	White	Brown	Yellow	Blue
47	946	White	Yellow	Blue	97	9147	White	Brown	Yellow	Violet
48	947	White	Yellow	Violet	98	9148	White	Brown	Yellow	Gray
49	948	White	Yellow	Gray	99	9156	White	Brown	Green	Blue
50	956	White	Green	Blue	100	9157	White	Brown	Green	Violet

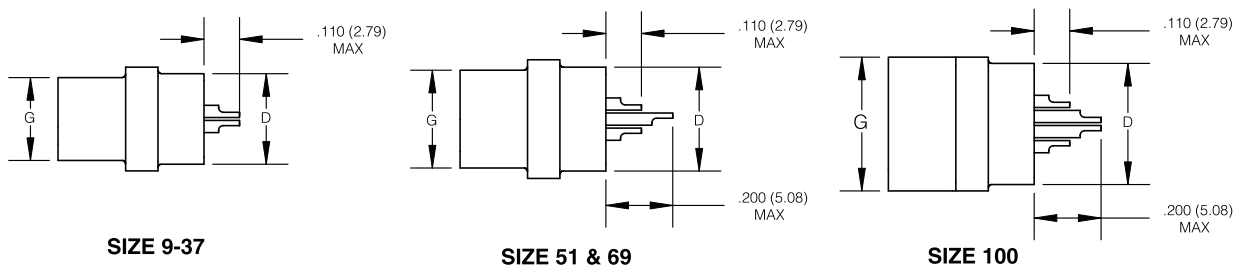
Note:

Black and White color wire terminations are available with lower lead time and mostly available in stock. Combination of black and white color is also available. First ten colours repeating combination available with lower lead time.

Wire Termination: (As per MIL-STD-83513/1&2)



Solder Termination: (As per MIL-STD-83513/3&4)



Size	A MAX.	B $\pm .005$ (0.13)	C MAX.		D MAX.	E MAX.	F MAX.	G MAX.	
			PLUG	RCPT				PLUG	RCPT
09	.785 (19.94)	.565 (14.35)	.334 (8.48)	.402 (10.21)	.270 (6.86)	.308 (7.82)	.400 (10.16)	.85 (4.70)	.253 (6.43)
15	.935 (23.75)	.715 (18.16)	.484 (12.29)	.552 (13.97)	.270 (6.86)	.308 (7.82)	.550 (13.97)	.85 (4.70)	.253 (6.43)
21	1.085 (27.58)	.865 (21.97)	.634 (16.10)	.702 (17.83)	.270 (6.86)	.308 (7.82)	.700 (17.78)	.85 (4.70)	.253 (6.43)
25	1.85 (30.10)	.965 (24.51)	.734 (18.64)	.802 (20.37)	.270 (6.86)	.308 (7.82)	.800 (20.32)	.85 (4.70)	.253 (6.43)
31	1.335 (33.91)	1.115 (26.32)	.884 (22.45)	.952 (24.18)	.270 (6.86)	.308 (7.82)	.950 (24.13)	.85 (4.70)	.253 (6.43)
37	1.485 (37.72)	1.265 (32.13)	1.034 (26.26)	1.102 (27.99)	.270 (6.86)	.308 (7.82)	1.100 (27.94)	.85 (4.70)	.253 (6.43)
51	1.435 (36.45)	1.215 (30.86)	.984 (24.99)	1.052 (26.72)	.310 (7.87)	.351 (8.92)	1.050 (26.67)	.229 (5.82)	.296 (7.52)
69	1.735 (44.07)	1.515 (38.48)	1.289 (32.74)	1.357 (34.47)	.310 (7.87)	.351 (8.92)	1.350 (34.29)	.229 (5.82)	.296 (7.52)
100	2.170 (55.12)	1.800 (15.72)	1.384 (35.13)	1.508 (38.10)	.360 (9.14)	.394 (10.1)	1.442 (36.63)	.271 (6.88)	.394 (10.01)

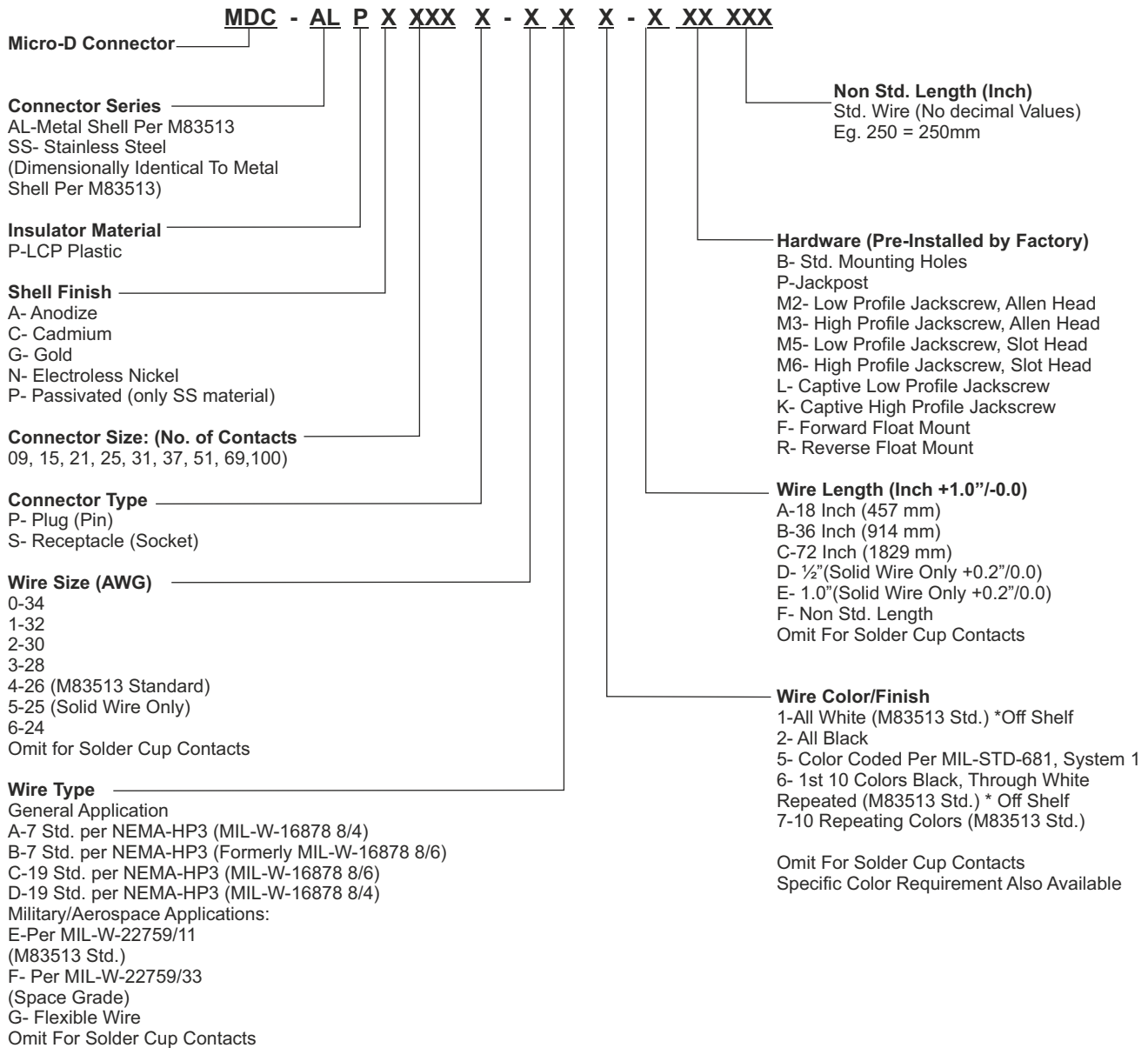


Ordering Information: For Solder & Crimped Type

For Example:

Part No.:MDC-ALPN015P-4E1AM2

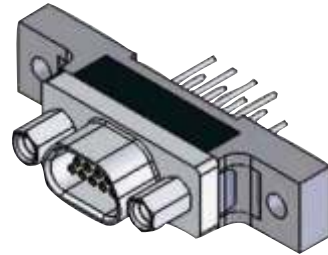
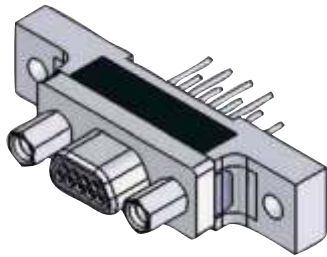
Description: Metal shell size 15 Plug, Nickel finish, 26 AWG wire type 'E', all white standard. Wire length 18" with M2 low profile Jack Screws.



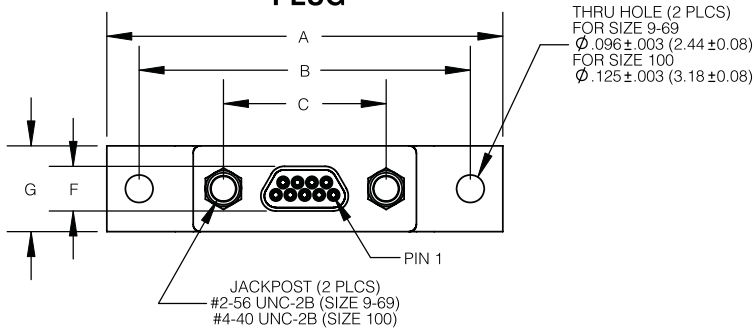
Note:

Contact Factory for more options on termination type different color wise combinations and other type of Micro-D Connectors.

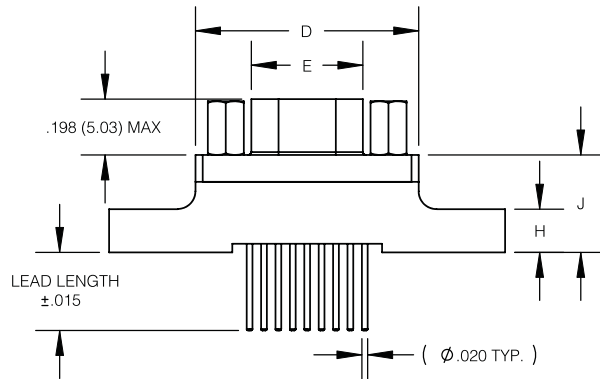
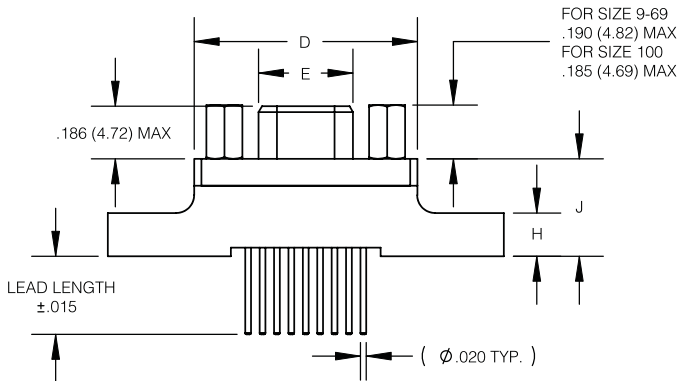
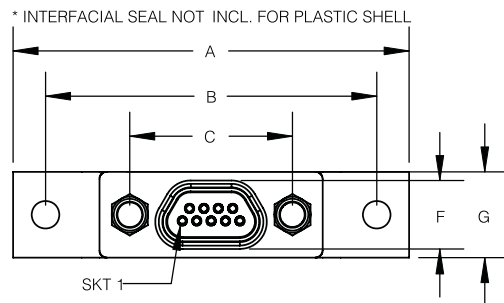
BS Termination Type (Similar to M83513/22 Thru /27)



PLUG



RECEPTACLE



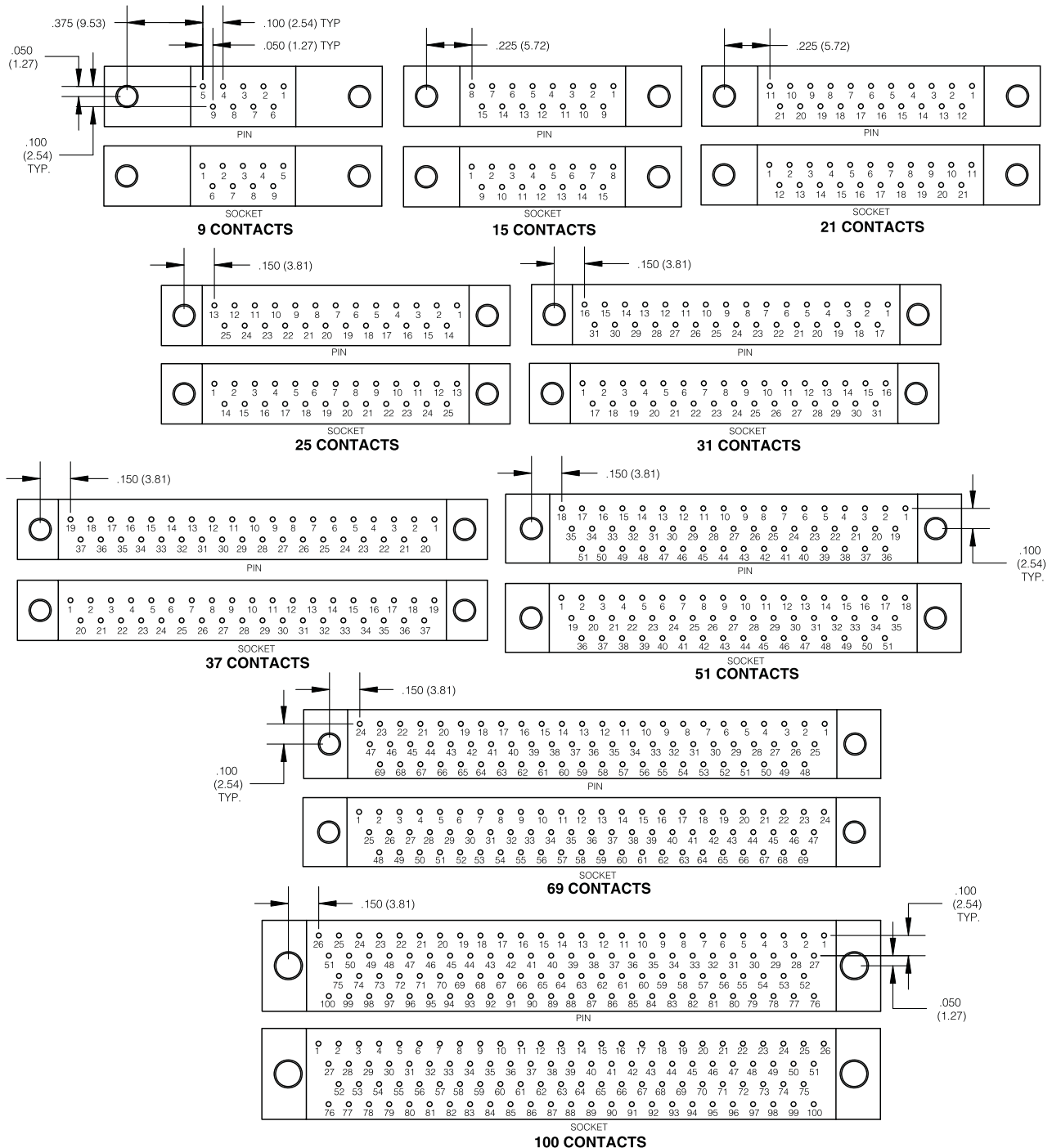
SIZE	A MAX	B $\pm .005$ (0.13)	C $\pm .005$ (0.13)	D MAX	E MAX		F MAX		G MAX	H MAX	J MAX
					PLUG	RCPT	PLUG	RCPT			
09	1.390 (35.31)	1.150 (29.21)	.565 (14.35)	.785 (19.84)	.334 (8.48)	.402 (10.21)	.185 (4.70)	.253 (6.43)	.308 (7.82)	.165 (4.19)	.355 (9.02)
15	1.390 (35.31)	1.150 (29.21)	.715 (18.16)	.935 (23.75)	.484 (12.29)	.552 (13.97)	.185 (4.70)	.253 (6.43)	.308 (7.82)	.165 (4.19)	.355 (9.02)
21	1.690 (43.93)	1.450 (36.83)	.865 (21.97)	1.085 (27.56)	.634 (16.10)	.702 (17.83)	.185 (4.70)	.253 (6.43)	.308 (7.82)	.165 (4.19)	.355 (9.02)
25	1.740 (44.20)	1.500 (38.10)	.965 (24.51)	1.185 (30.10)	.734 (18.64)	.802 (20.37)	.185 (4.70)	.253 (6.43)	.308 (7.82)	.165 (4.19)	.355 (9.02)
31	2.040 (51.82)	1.800 (45.72)	1.115 (28.32)	1.335 (33.91)	.884 (22.45)	.952 (24.18)	.185 (4.70)	.253 (6.43)	.308 (7.82)	.165 (4.19)	.355 (9.02)
37	2.340 (59.44)	2.100 (53.34)	1.265 (32.13)	1.485 (37.72)	1.034 (26.26)	1.102 (27.99)	.185 (4.70)	.253 (6.43)	.308 (7.82)	.165 (4.19)	.355 (9.02)
51	2.270 (67.66)	2.000 (50.80)	1.215 (30.86)	1.435 (36.45)	.984 (24.99)	1.052 (26.72)	.228 (5.79)	.296 (7.52)	.351 (8.92)	.165 (4.19)	.355 (9.02)
69	2.870 (72.90)	2.600 (66.04)	1.515 (38.48)	1.735 (44.07)	1.289 (32.74)	1.357 (34.47)	.228 (5.79)	.296 (7.52)	.351 (8.92)	.165 (4.19)	.355 (9.02)
100	3.070 (77.98)	2.800 (71.12)	1.800 (45.72)	2.170 (55.12)	1.384 (35.13)	1.508 (38.10)	.271 (6.88)	.394 (10.01)	.460 (11.68)	.303 (7.70)	.550 (12.70)

BS Termination Type (Similar to M83513/22 Thru /27)

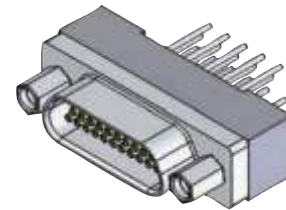
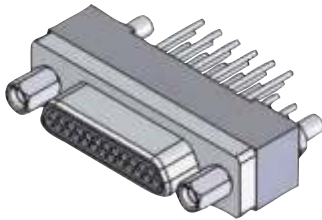
STRAIGHT PC CONFIGURATIONS (REAR VIEW)

.100 (2.54) x .100 (2.54) grid pattern, offset .050 (1.27)

Cavity identification numbers are for reference only and does not appear on the connector.

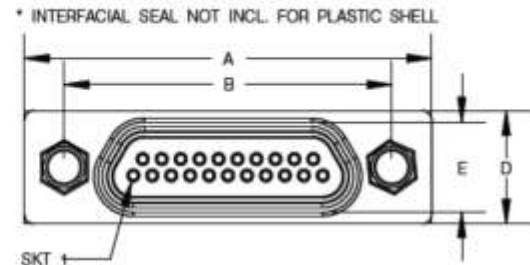
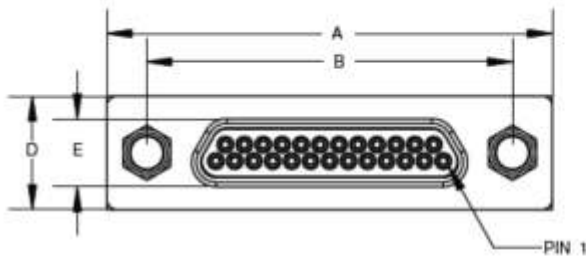


C6 Termination Type (Similar to M83513/28 Thru /33)

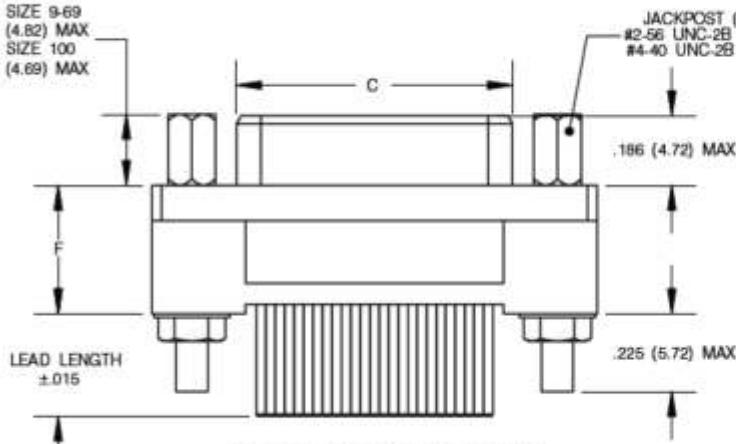


PLUG

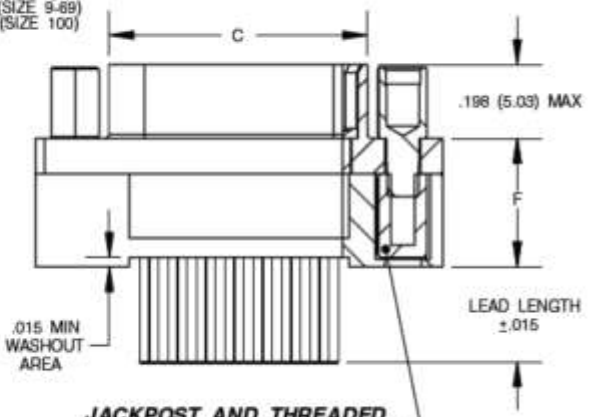
RECEPTACLE



FOR SIZE 9-69
.190 (4.82) MAX
FOR SIZE 100
.185 (4.69) MAX



JACKPOST ONLY (P) SHOWN



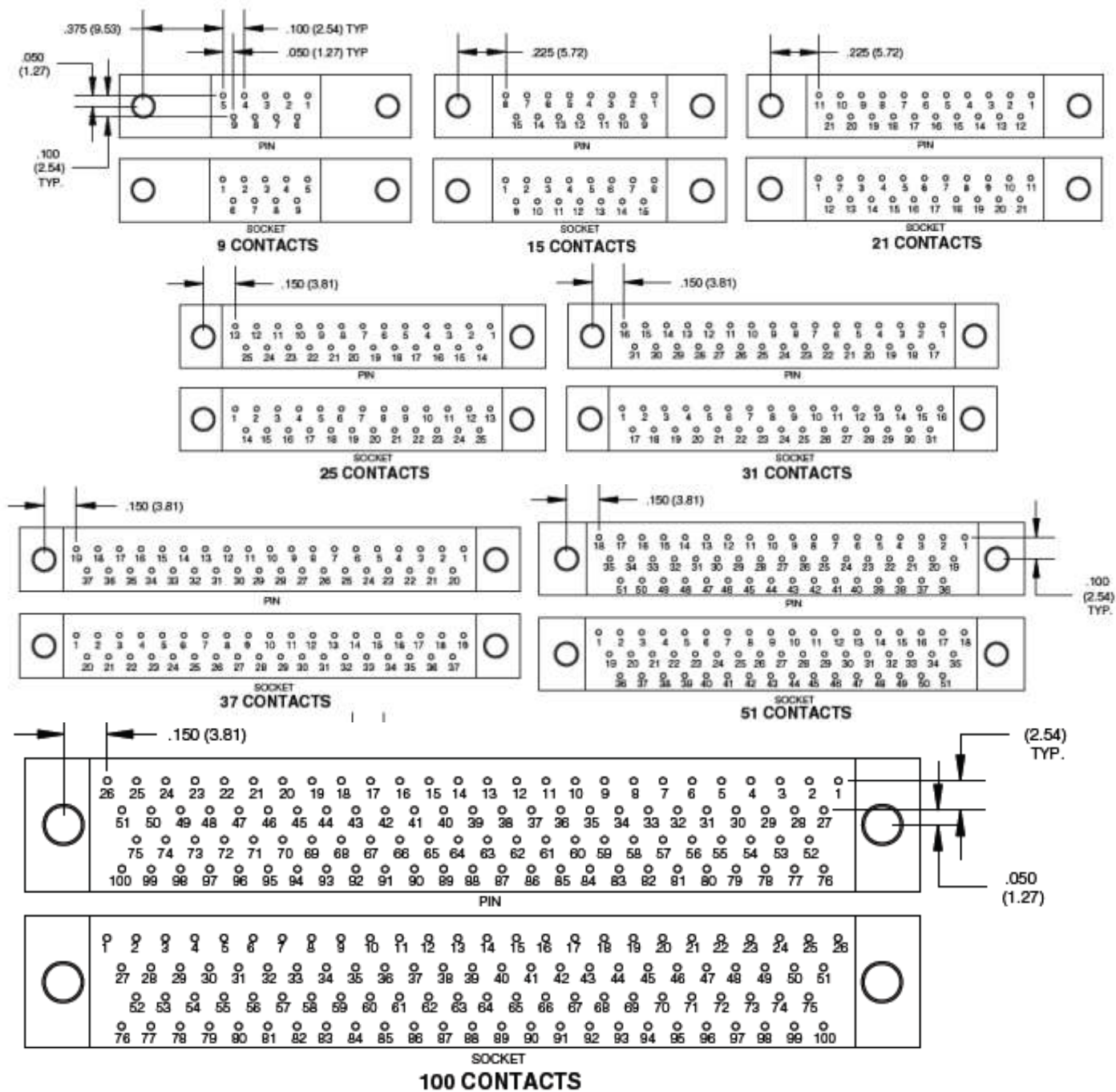
JACKPOST AND THREADED INSERT (PT) OPTION SHOWN

Size	A MAX.	B ±005 (0.13)	C MAX.		D MAX.	E MAX.		F MAX.
			PLUG	RCPT		PLUG	RCPT	
09	.785 (19.94)	.565 (14.35)	.334 (8.48)	.402 (10.21)	.310 (7.87)	.185 (4.70)	.253 (6.43)	.335 (8.51)
15	.935 (23.75)	.715 (18.16)	.484 (12.29)	.552 (13.97)	.310 (7.87)	.185 (4.70)	.253 (6.43)	.335 (8.51)
21	1.085 (27.58)	.865 (21.97)	.634 (16.10)	.702 (17.83)	.310 (7.87)	.185 (4.70)	.253 (6.43)	.335 (8.51)
25	1.85 (30.10)	.965 (24.51)	.734 (18.64)	.802 (20.37)	.310 (7.87)	.185 (4.70)	.253 (6.43)	.335 (8.51)
31	1.335 (33.91)	1.115 (26.32)	.884 (22.45)	.952 (24.18)	.310 (7.87)	.185 (4.70)	.253 (6.43)	.335 (8.51)
37	1.485 (37.72)	1.265 (32.13)	1.034 (26.26)	1.102 (27.99)	.310 (7.87)	.185 (4.70)	.253 (6.43)	.335 (8.51)
51	1.435 (36.45)	1.215 (30.86)	.984 (24.99)	1.052 (26.72)	.400 (10.16)	.228 (5.79)	.296 (7.52)	.335 (8.51)
69	1.735 (44.07)	1.515 (38.48)	1.289 (32.74)	1.357 (34.47)	.400(10.16)	.228 (5.79)	.296 (7.52)	.335 (8.51)
100	2.170 (55.12)	1.800 (15.72)	1.384 (35.13)	1.508 (38.10)	.510(12.95)	.271 (6.88)	.394 (10.01)	.430 (10.92)

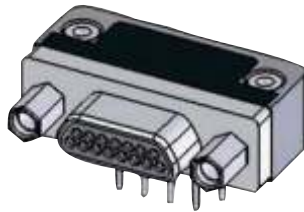
Straight PC Configuration - Rear View (C6 Termination Type)

.100 (2.54) x .100 (2.54) grid pattern, offset .050 (1.27)

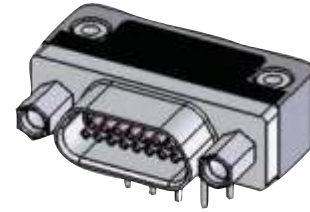
Cavity identification numbers are for reference only and does not appear on the connector.



90° PCB Mount Narrow Profile CBR Termination Type (Similar to M83513/10 Thru /15)

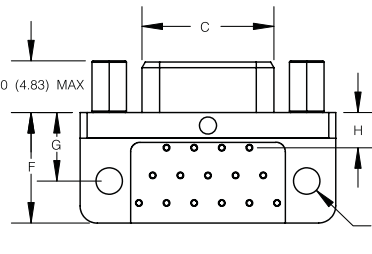
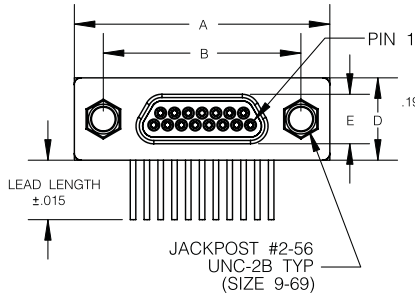


PLUG

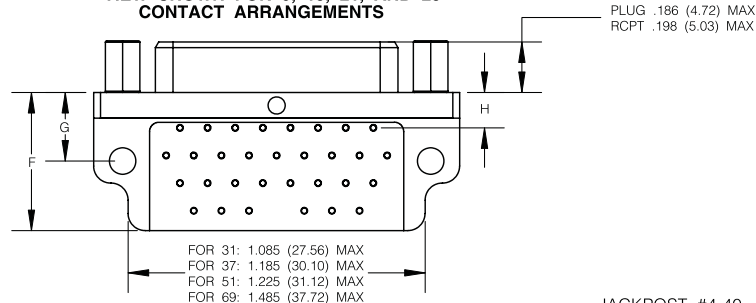


RECEPTACLE

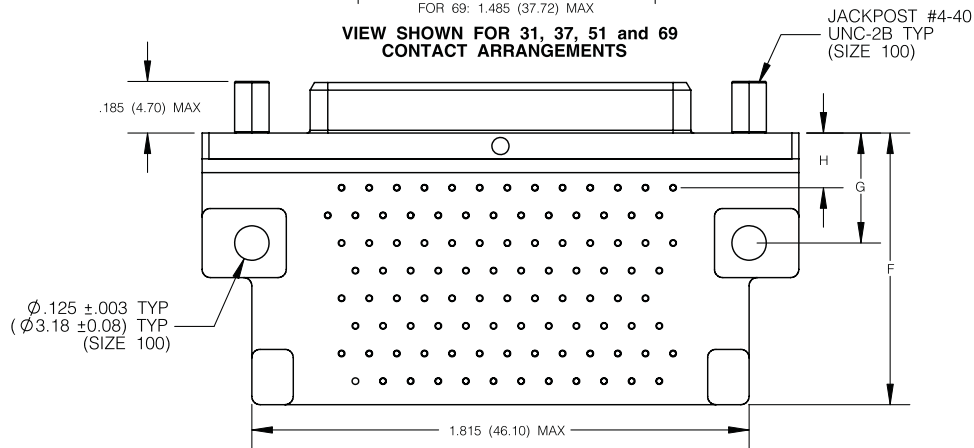
*INTERFACIAL SEAL NOT INCL. FOR PLASTIC SHELL



VIEW SHOWN FOR 9, 15, 21, AND 25 CONTACT ARRANGEMENTS



VIEW SHOWN FOR 31, 37, 51 and 69 CONTACT ARRANGEMENTS



VIEW SHOWN FOR 100 CONTACT ARRANGEMENTS

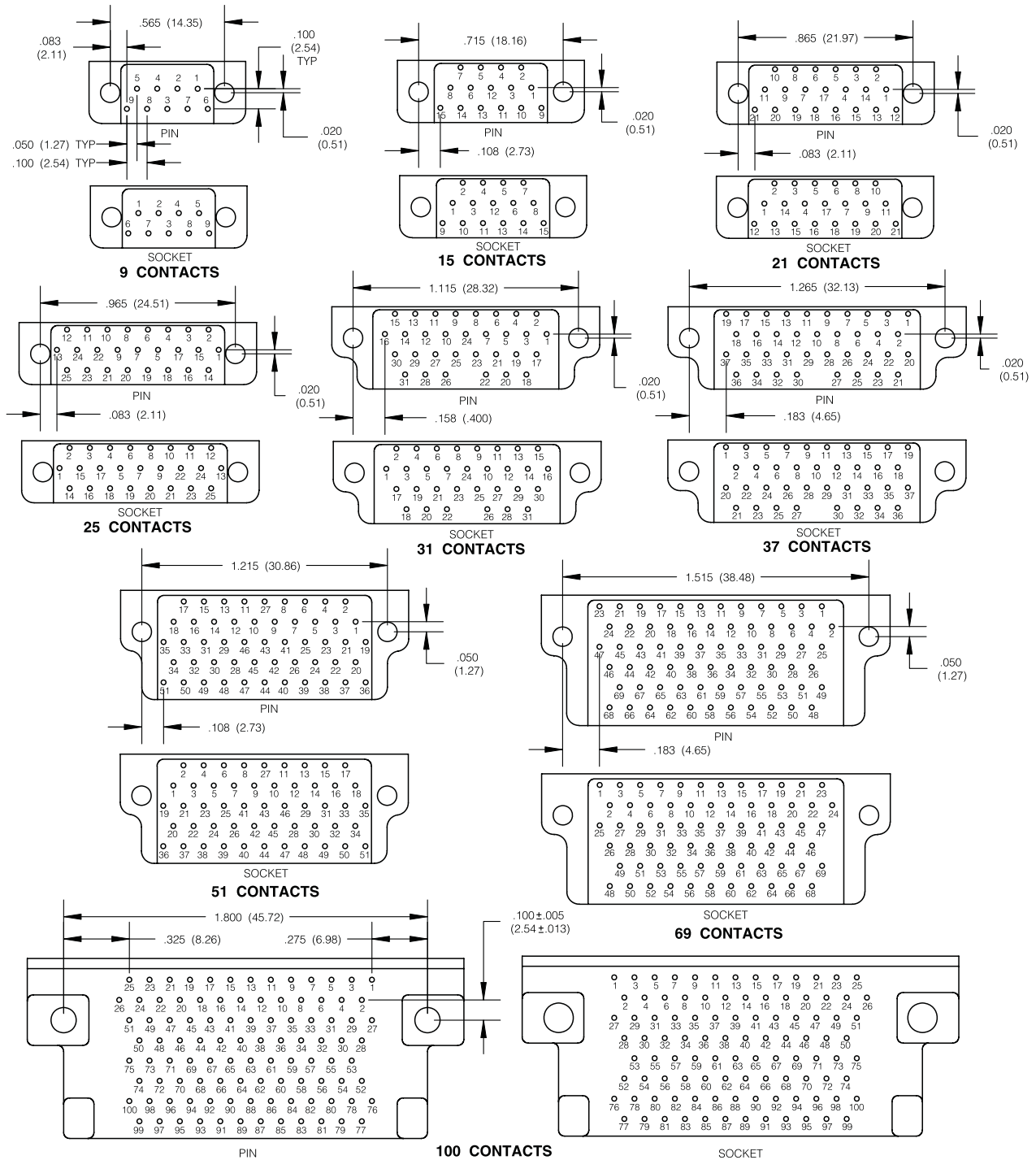
SIZE	A MAX	B ±.005 (0.13)	C MAX		D MAX	E MAX		F MAX	G ±.010 (0.25)	H ±.010 (0.25)
			PLUG	RCPT		PLUG	RCPT			
09	.785 (19.94)	.565 (14.35)	.334 (8.48)	.402 (10.21)	.308 (7.82)	.185 (4.70)	.253 (6.43)	.420 (10.67)	.250 (6.35)	.230 (5.81)
15	.935 (23.75)	.715 (18.16)	.484 (12.29)	.552 (13.97)	.308 (7.82)	.185 (4.70)	.253 (6.43)	.420 (10.67)	.250 (6.35)	.130 (3.30)
21	1.085 (27.56)	.865 (21.97)	.634 (16.10)	.702 (17.83)	.308 (7.82)	.185 (4.70)	.253 (6.43)	.420 (10.67)	.250 (6.35)	.130 (3.30)
25	1.185 (30.10)	.965 (24.51)	.734 (18.64)	.802 (20.37)	.308 (7.82)	.185 (4.70)	.253 (6.43)	.420 (10.67)	.250 (6.35)	.130 (3.30)
31	1.335 (33.91)	1.115 (28.32)	.884 (22.45)	.952 (24.18)	.308 (7.82)	.185 (4.70)	.253 (6.43)	.520 (13.21)	.250 (6.35)	.130 (3.30)
37	1.485 (37.72)	1.265 (32.13)	1.034 (26.26)	1.102 (27.99)	.308 (7.82)	.185 (4.70)	.253 (6.43)	.520 (13.21)	.250 (6.35)	.130 (3.30)
51	1.435 (36.45)	1.215 (30.86)	.984 (24.99)	1.052 (26.72)	.351 (8.92)	.228 (5.79)	.296 (7.52)	.650 (16.15)	.300 (7.62)	.150 (3.81)
69	1.735 (44.07)	1.515 (38.48)	1.289 (32.74)	1.357 (34.47)	.351 (8.92)	.228 (5.79)	.296 (7.52)	.755 (19.18)	.300 (7.62)	.150 (3.81)
100	2.170 (55.12)	1.800 (45.72)	1.386 (35.15)	1.508 (38.10)	.394 (10.01)	.271 (6.88)	.394 (10.01)	1.000 (25.40)	.400 (10.16)	.200 (5.08)

90° PCB Mount Narrow Profile CBR Termination Type (Similar to M83513/10 Thru /15)

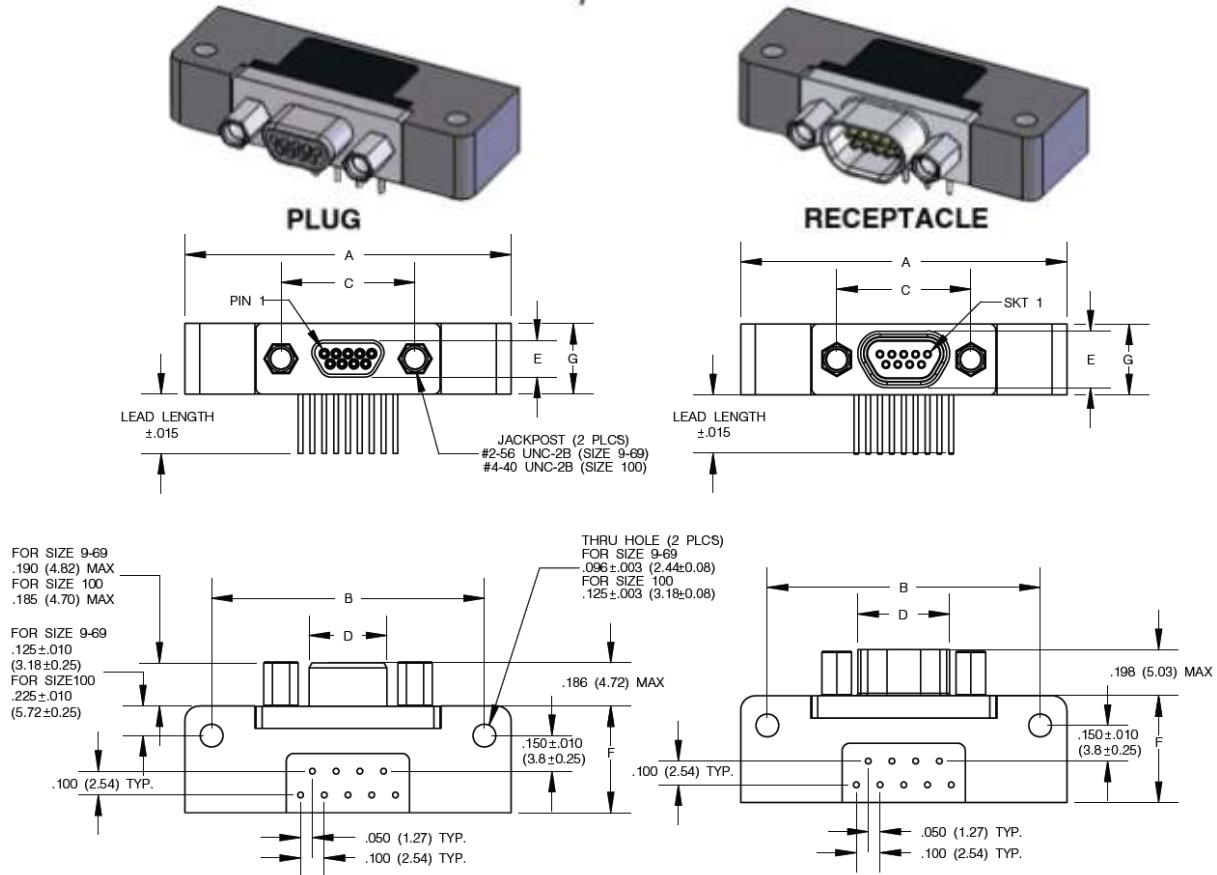
RIGHT ANGLE (90 DEG) NARROW PROFILE PC CONFIGURATIONS

.100 (2.54) x .100 (2.54) grid pattern, offset .050 (1.27)

Cavity identification numbers are for reference only and does not appear on the connector.



90° PCB Mount Narrow Profile BR Termination Type (Similar to M83513/16 Thru /21)

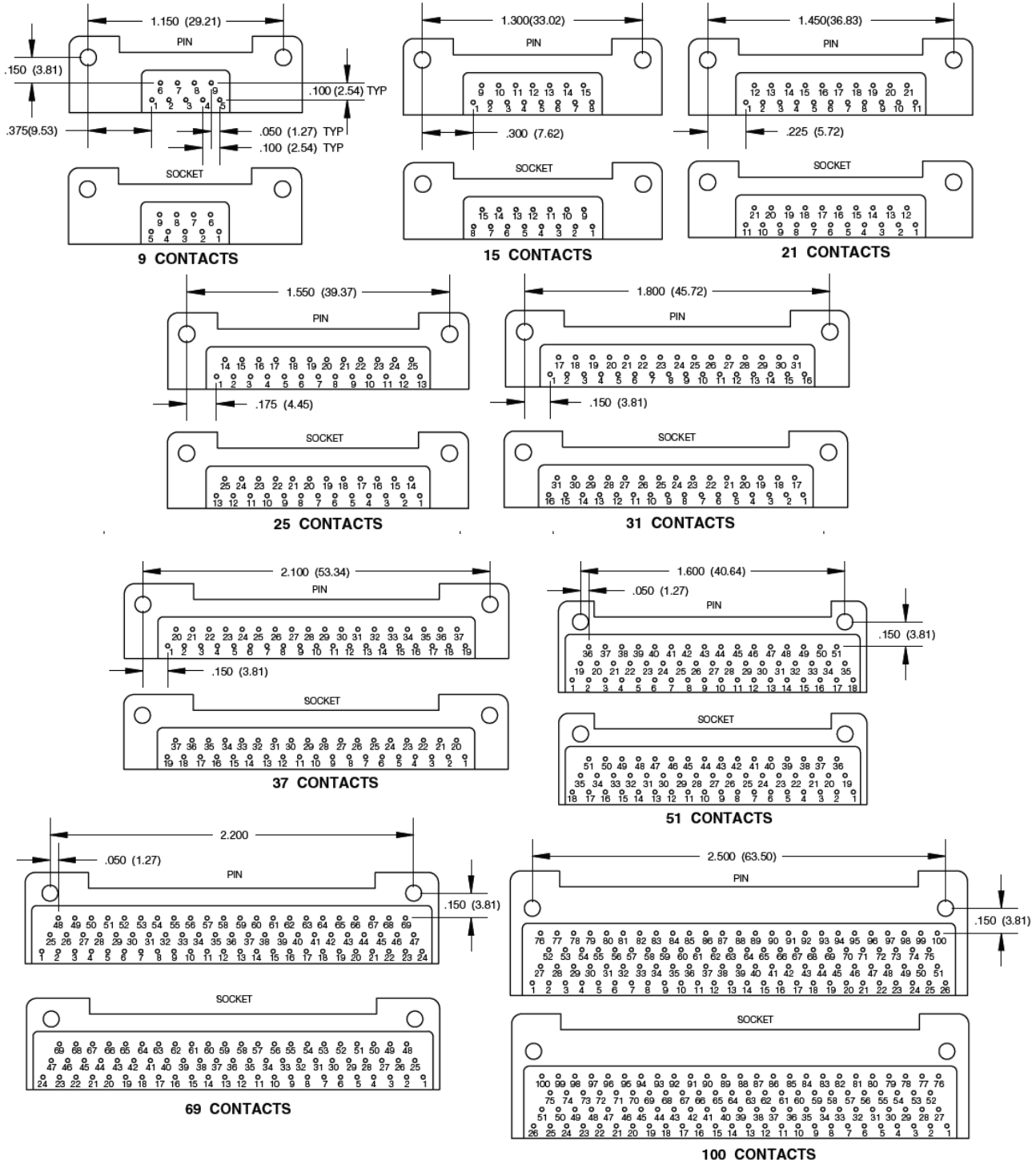


Size	A MAX.	B ±.007 (0.18)	C ±.005 (0.13)	D MAX.		E MAX.		F MAX.	G MAX.
				PLUG	RCPT	PLUG	RCPT		
09	1.390 (35.31)	1.150 (29.21)	.565 (14.35)	.334(8.48)	.402 (10.21)	.185 (4.70)	.253 (6.43)	.455 (11.56)	.308 (7.82)
16	1.540 (39.12)	1.300 (33.02)	.715 (18.16)	.484 (122.9)	.552 (13.97)	.185 (4.70)	.253 (6.43)	.455 (11.56)	.308 (7.82)
21	1.690 (42.93)	1.450 (36.83)	.865 (21.97)	.634 (16.10)	.702 (17.83)	.185 (4.70)	.253 (6.43)	.455 (11.56)	.308 (7.82)
25	1.790 (45.47)	1.550 (39.37)	.965 (24.51)	.734 (18.64)	.802 (20.37)	.185 (4.70)	.253 (6.43)	.455 (11.56)	.308 (7.82)
31	2.040 (51.82)	1.800 (45.72)	1.115 (28.32)	.884 (22.45)	.952 (24.18)	.185 (4.70)	.253 (6.43)	.455 (11.56)	.308 (7.82)
37	2.340 (59.44)	2.100 (53.34)	1.265 (32.13)	1.034(26.26)	1.102 (27.99)	.185 (4.70)	.253 (6.43)	.455 (11.56)	.308 (7.82)
51	1.875 (47.63)	1.600 (40.64)	1.215 (30.86)	.984 (24.99)	1.052 (26.72)	.228 (5.79)	.296 (7.52)	.565 (14.35)	.351 (8.92)
69	2.500 (63.50)	2.200 (55.88)	1.515 (38.48)	1.289(32.74)	1.357 (34.47)	.228 (5.79)	.296 (7.52)	.565 (14.35)	.351 (8.92)
100	2.780 (70.61)	2.500 (63.50)	1.800 (45.72)	1.386(38.10)	1.508 (38.10)	.271 (6.88)	.394 (10.01)	.765 (19.43)	.394 (10.1)

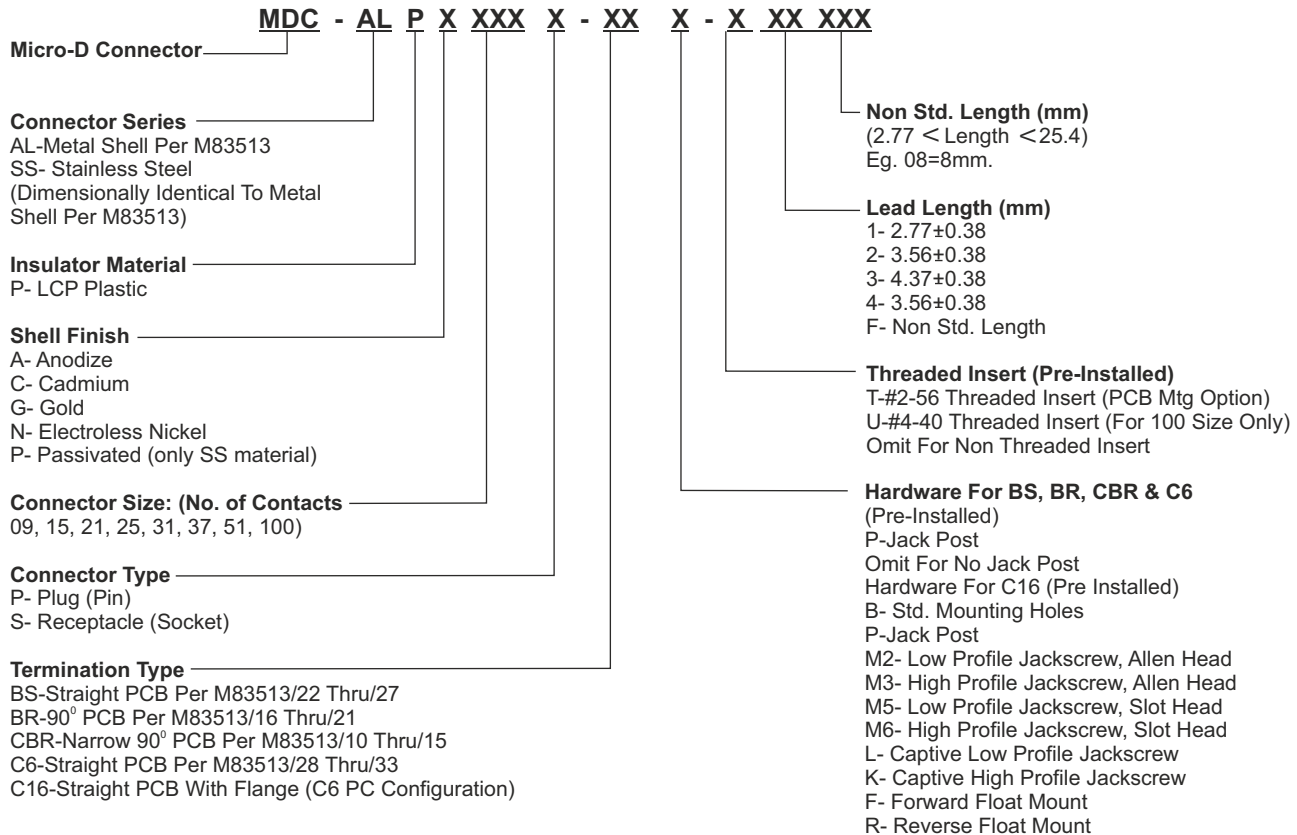
Right Angle 90° PC Configuration

.100 (2.54) x .100 (2.54) grid pattern, offset .050 (1.27)

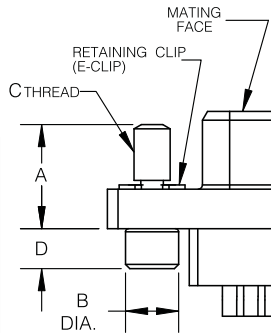
Cavity identification numbers are for reference only & does not appear on the connector



Ordering Information: For PCB Mount Type

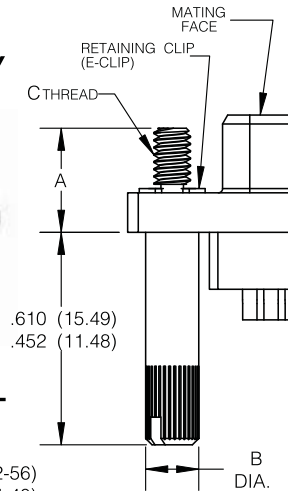
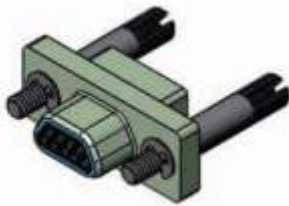


LOW PROFILE JACKSCREW ASSEMBLY



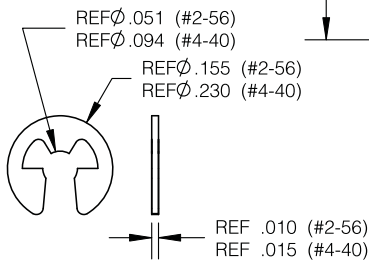
Shell Size	9-69		100	
Amphenol Pin	HM05-05	HM05-02	HM05-15	HM05-12
Pin Code	M5	M5	M5	M2
MIL-Spec Pin	M83513/05-05 (Slot)	M83513/05-02 (Allen)	M83513/05-15 (Slot)	M83513/05-12 (Allen)
Dim. A	.258/.235 (6.55/5.97)		.287±.005 (7.29±0.13)	
Dim. B	.125 (3.18)		.187 (4.75)	
Dim. C (Thd)	#2-56 UNC-2A		#4-40 UNC-2A	
Dim. D	.103/.070 (2.62/1.78)		.098 (2.49)	
Dim. E (Hex)	N/A			

HIGH PROFILE JACKSCREW ASSEMBLY

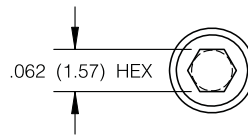


Shell Size	9-69		100	
Amphenol Pin	HM05-06	HM05-03	HM05-16	HM05-13
Pin Code	M6	M5	M5	M2
MIL-Spec Pin	M83513/05-06 (Slot)	M83513/05-03 (Allen)	M83513/05-16 (Slot)	M83513/05-13 (Allen)
Dim. A	.258/.235 (6.55/5.97)		.287±.005 (7.29±0.13)	
Dim. B	.125 (3.18)		.187 (4.75)	
Dim. C (Thd)	#2-56 UNC-2A		#4-40 UNC-2A	
Dim. D	N/A			
Dim. E (Hex)	N/A			

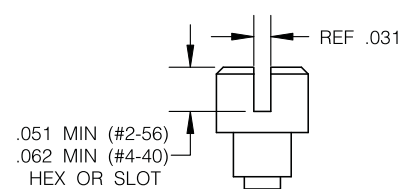
RETAINING CLIP DETAIL



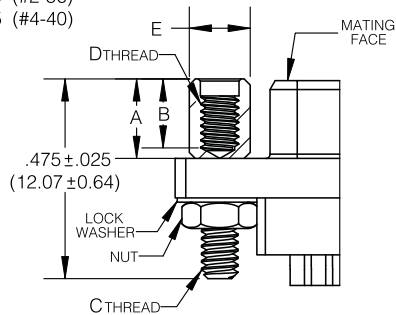
ALLEN HEAD DETAIL



SLOT HEAD DETAIL

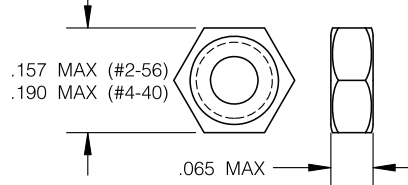


JACKPOST ASSEMBLY

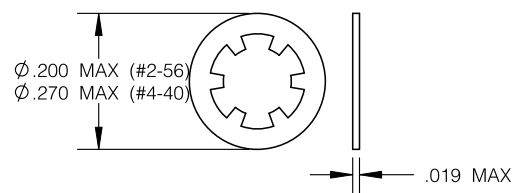


Shell Size	9-69	100
Amphenol Pin	HM05-07	HM05-17
Pin Code	P	
MIL-Spec Pin	M83513/05-07	M83513/05-17
Dim. A	.90/.185 (4.83/4.70)	.185/.190 (4.7C/4.58)
Dim. B	.155 (3.94)	.170 (4.58)
Dim. C (Thd)	#2-56 UNC-2A	#4-40 UNC-2A
Dim. D	#2-56 UNC-2B	#4-40 UNC-2B
Dim. E (Hex)	.125 (3.18)	.187 (4.75)

NUT DETAIL



LOCKWASHER DETAIL



Amphenol Part Number (Similar MIL Part Number. For reference only.)

a) Solder Cup Termination

SOLDER TYPE MICRO-D CONNECTOR				
Sr. No.	PLUG CONNECTOR		RECEPTACLE CONNECTOR	
	Amphenol Part No.	Similar MIL-Part No.	Amphenol Part No.	Similar MIL-Part No.
1	MDC-ALPC09P	M83513/01-AC	MDC-ALPC09S	M83513/02-AC
2	MDC-ALPN09P	M83513/01-AN	MDC-ALPN09S	M83513/02-AN
3	MDC-ALPP09P	M83513/01-AP	MDC-ALPP09S	M83513/02-AP
4	MDC-ALPC15P	M83513/01-BC	MDC-ALPC15S	M83513/02-BC
5	MDC-ALPN15P	M83513/01-BN	MDC-ALPN15S	M83513/02-BN
6	MDC-ALPP15P	M83513/01-BP	MDC-ALPP15S	M83513/02-BP
7	MDC-ALPC21P	M83513/01-CC	MDC-ALPC21S	M83513/02-CC
8	MDC-ALPN21P	M83513/01-CN	MDC-ALPN21S	M83513/02-CN
9	MDC-ALPP21P	M83513/01-CP	MDC-ALPP21S	M83513/02-CP
10	MDC-ALPC25P	M83513/01-DC	MDC-ALPC25S	M83513/02-DC
11	MDC-ALPN25P	M83513/01-DN	MDC-ALPN25S	M83513/02-DN
12	MDC-ALPP25P	M83513/01-DP	MDC-ALPP25S	M83513/02-DP
13	MDC-ALPC31P	M83513/01-EC	MDC-ALPC31S	M83513/02-EC
14	MDC-ALPN31P	M83513/01-EN	MDC-ALPN31S	M83513/02-EN
15	MDC-ALPP31P	M83513/01-EP	MDC-ALPP31S	M83513/02-EP
16	MDC-ALPC37P	M83513/01-FC	MDC-ALPC37S	M83513/02-FC
17	MDC-ALPN37P	M83513/01-FN	MDC-ALPN37S	M83513/02-FN
18	MDC-ALPP37P	M83513/01-FP	MDC-ALPP37S	M83513/02-FP
19	MDC-ALPC51P	M83513/01-GC	MDC-ALPC51S	M83513/02-GC
20	MDC-ALPN51P	M83513/01-GN	MDC-ALPN51S	M83513/02-GN
21	MDC-ALPP51P	M83513/01-GP	MDC-ALPP51S	M83513/02-GP
22	MDC-ALPC100P	M83513/01-HC	MDC-ALPC100S	M83513/02-HC
23	MDC-ALPN100P	M83513/01-HN	MDC-ALPN100S	M83513/02-HN
24	MDC-ALPP100P	M83513/01-HP	MDC-ALPP100S	M83513/02-HP

b) Crimp Termination:

CRIMP TYPE MICRO-D CONNECTOR				
	PLUG CONNECTOR		RECEPTACLE CONNECTOR	
Sr. No.	Amphenol Part no.	Similar MIL Part No.	Amphenol Part no.	Similar MIL Part No.
1	MDC-ALPC09P-4E1A	M83513/03-A01C	MDC-ALPC09S-4E1A	M83513/04-A01C
2	MDC-ALPC15P-4E1A	M83513/03-B01C	MDC-ALPC15S-4E1A	M83513/04-B01C
3	MDC-ALPC21P-4E1A	M83513/03-C01C	MDC-ALPC21S-4E1A	M83513/04-C01C
4	MDC-ALPC25P-4E1A	M83513/03-D01C	MDC-ALPC25S-4E1A	M83513/04-D01C
5	MDC-ALPC31P-4E1A	M83513/03-E01C	MDC-ALPC31S-4E1A	M83513/04-E01C
6	MDC-ALPC37P-4E1A	M83513/03-F01C	MDC-ALPC37S-4E1A	M83513/04-F01C
7	MDC-ALPC51P-4E1A	M83513/03-G01C	MDC-ALPC51S-4E1A	M83513/04-G01C
8	MDC-ALPC100P-4E1A	M83513/03-H01C	MDC-ALPC100S-4E1A	M83513/04-H01C
9	MDC-ALPN09P-4E1A	M83513/03-A01N	MDC-ALPN09S-4E1A	M83513/04-A01N
10	MDC-ALPN15P-4E1A	M83513/03-B01N	MDC-ALPN15S-4E1A	M83513/04-B01N
11	MDC-ALPN21P-4E1A	M83513/03-C01N	MDC-ALPN21S-4E1A	M83513/04-C01N
12	MDC-ALPN25P-4E1A	M83513/03-D01N	MDC-ALPN25S-4E1A	M83513/04-D01N
13	MDC-ALPN31P-4E1A	M83513/03-E01N	MDC-ALPN31S-4E1A	M83513/04-E01N
14	MDC-ALPN37P-4E1A	M83513/03-F01N	MDC-ALPN37S-4E1A	M83513/04-F01N
15	MDC-ALPN51P-4E1A	M83513/03-G01N	MDC-ALPN51S-4E1A	M83513/04-G01N
16	MDC-ALPN100P-4E1A	M83513/03-H01N	MDC-ALPN100S-4E1A	M83513/04-H01N
17	MDC-ALPP09P-4E1A	M83513/03-A01P	MDC-ALPP09S-4E1A	M83513/04-A01P
18	MDC-ALPP15P-4E1A	M83513/03-B01P	MDC-ALPP15S-4E1A	M83513/04-B01P
19	MDC-ALPP21P-4E1A	M83513/03-C01P	MDC-ALPP21S-4E1A	M83513/04-C01P
20	MDC-ALPP25P-4E1A	M83513/03-D01P	MDC-ALPP25S-4E1A	M83513/04-D01P
21	MDC-ALPP31P-4E1A	M83513/03-E01P	MDC-ALPP31S-4E1A	M83513/04-E01P
22	MDC-ALPP37P-4E1A	M83513/03-F01P	MDC-ALPP37S-4E1A	M83513/04-F01P
23	MDC-ALPP51P-4E1A	M83513/03-G01P	MDC-ALPP51S-4E1A	M83513/04-G01P
24	MDC-ALPP100P-4E1A	M83513/03-H01P	MDC-ALPP100S-4E1A	M83513/04-H01P
25	MDC-ALPC09P-4E1B	M83513/03-A02C	MDC-ALPC09S-4E1B	M83513/04-A02C
26	MDC-ALPC15P-4E1B	M83513/03-B02C	MDC-ALPC15S-4E1B	M83513/04-B02C
27	MDC-ALPC21P-4E1B	M83513/03-C02C	MDC-ALPC21S-4E1B	M83513/04-C02C
28	MDC-ALPC25P-4E1B	M83513/03-D02C	MDC-ALPC25S-4E1B	M83513/04-D02C
29	MDC-ALPC31P-4E1B	M83513/03-E02C	MDC-ALPC31S-4E1B	M83513/04-E02C
30	MDC-ALPC37P-4E1B	M83513/03-F02C	MDC-ALPC37S-4E1B	M83513/04-F02C
31	MDC-ALPC51P-4E1B	M83513/03-G02C	MDC-ALPC51S-4E1B	M83513/04-G02C
32	MDC-ALPC100P-4E1B	M83513/03-H02C	MDC-ALPC100S-4E1B	M83513/04-H02C
33	MDC-ALPN09P-4E1B	M83513/03-A02N	MDC-ALPN09S-4E1B	M83513/04-A02N
34	MDC-ALPN15P-4E1B	M83513/03-B02N	MDC-ALPN15S-4E1B	M83513/04-B02N

CRIMP TYPE MICRO-D CONNECTOR				
	PLUG CONNECTOR		RECEPTACLE CONNECTOR	
Sr. No.	Amphenol Part no.	Similar MIL Part No.	Amphenol Part no.	Similar MIL Part No.
35	MDC-ALPN21P-4E1B	M83513/03-C02N	MDC-ALPN21S-4E1B	M83513/04-C02N
36	MDC-ALPN25P-4E1B	M83513/03-D02N	MDC-ALPN25S-4E1B	M83513/04-D02N
37	MDC-ALPN31P-4E1B	M83513/03-E02N	MDC-ALPN31S-4E1B	M83513/04-E02N
38	MDC-ALPN37P-4E1B	M83513/03-F02N	MDC-ALPN37S-4E1B	M83513/04-F02N
39	MDC-ALPN51P-4E1B	M83513/03-G02N	MDC-ALPN51S-4E1B	M83513/04-G02N
40	MDC-ALPN100P-4E1B	M83513/03-H02N	MDC-ALPN100S-4E1B	M83513/04-H02N
41	MDC-ALPP09P-4E1B	M83513/03-A02P	MDC-ALPP09S-4E1B	M83513/04-A02P
42	MDC-ALPP15P-4E1B	M83513/03-B02P	MDC-ALPP15S-4E1B	M83513/04-B02P
43	MDC-ALPP21P-4E1B	M83513/03-C02P	MDC-ALPP21S-4E1B	M83513/04-C02P
44	MDC-ALPP25P-4E1B	M83513/03-D02P	MDC-ALPP25S-4E1B	M83513/04-D02P
45	MDC-ALPP31P-4E1B	M83513/03-E02P	MDC-ALPP31S-4E1B	M83513/04-E02P
46	MDC-ALPP37P-4E1B	M83513/03-F02P	MDC-ALPP37S-4E1B	M83513/04-F02P
47	MDC-ALPP51P-4E1B	M83513/03-G02P	MDC-ALPP51S-4E1B	M83513/04-G02P
48	MDC-ALPP100P-4E1B	M83513/03-H02P	MDC-ALPP100S-4E1B	M83513/04-H02P
49	MDC-ALPC09P-4E5A	M83513/03-A03C	MDC-ALPC09S-4E5A	M83513/04-A03C
50	MDC-ALPC15P-4E5A	M83513/03-B03C	MDC-ALPC15S-4E5A	M83513/04-B03C
51	MDC-ALPC21P-4E5A	M83513/03-C03C	MDC-ALPC21S-4E5A	M83513/04-C03C
52	MDC-ALPC25P-4E5A	M83513/03-D03C	MDC-ALPC25S-4E5A	M83513/04-D03C
53	MDC-ALPC31P-4E5A	M83513/03-E03C	MDC-ALPC31S-4E5A	M83513/04-E03C
54	MDC-ALPC37P-4E5A	M83513/03-F03C	MDC-ALPC37S-4E5A	M83513/04-F03C
55	MDC-ALPC51P-4E5A	M83513/03-G03C	MDC-ALPC51S-4E5A	M83513/04-G03C
56	MDC-ALPC100P-4E5A	M83513/03-H03C	MDC-ALPC100S-4E5A	M83513/04-H03C
57	MDC-ALPN09P-4E5A	M83513/03-A03N	MDC-ALPN09S-4E5A	M83513/04-A03N
58	MDC-ALPN15P-4E5A	M83513/03-B03N	MDC-ALPN15S-4E5A	M83513/04-B03N
59	MDC-ALPN21P-4E5A	M83513/03-C03N	MDC-ALPN21S-4E5A	M83513/04-C03N
60	MDC-ALPN25P-4E5A	M83513/03-D03N	MDC-ALPN25S-4E5A	M83513/04-D03N
61	MDC-ALPN31P-4E5A	M83513/03-E03N	MDC-ALPN31S-4E5A	M83513/04-E03N
62	MDC-ALPN37P-4E5A	M83513/03-F03N	MDC-ALPN37S-4E5A	M83513/04-F03N
63	MDC-ALPN51P-4E5A	M83513/03-G03N	MDC-ALPN51S-4E5A	M83513/04-G03N
64	MDC-ALPN100P-4E5A	M83513/03-H03N	MDC-ALPN100S-4E5A	M83513/04-H03N
65	MDC-ALPP09P-4E5A	M83513/03-A03P	MDC-ALPP09S-4E5A	M83513/04-A03P
66	MDC-ALPP15P-4E5A	M83513/03-B03P	MDC-ALPP15S-4E5A	M83513/04-B03P
67	MDC-ALPP21P-4E5A	M83513/03-C03P	MDC-ALPP21S-4E5A	M83513/04-C03P
68	MDC-ALPP25P-4E5A	M83513/03-D03P	MDC-ALPP25S-4E5A	M83513/04-D03P
69	MDC-ALPP31P-4E5A	M83513/03-E03P	MDC-ALPP31S-4E5A	M83513/04-E03P
70	MDC-ALPP37P-4E5A	M83513/03-F03P	MDC-ALPP37S-4E5A	M83513/04-F03P

CRIMP TYPE MICRO-D CONNECTOR				
	PLUG CONNECTOR		RECEPTACLE CONNECTOR	
Sr. No.	Amphenol Part no.	Similar MIL Part No.	Amphenol Part no.	Similar MIL Part No.
71	MDC-ALPP51P-4E5A	M83513/03-G03P	MDC-ALPP51S-4E5A	M83513/04-G03P
72	MDC-ALPP100P-4E5A	M83513/03-H03P	MDC-ALPP100S-4E5A	M83513/04-H03P
73	MDC-ALPC09P-4E5B	M83513/03-A04C	MDC-ALPC09S-4E5B	M83513/04-A04C
74	MDC-ALPC15P-4E5B	M83513/03-B04C	MDC-ALPC15S-4E5B	M83513/04-B04C
75	MDC-ALPC21P-4E5B	M83513/03-C04C	MDC-ALPC21S-4E5B	M83513/04-C04C
76	MDC-ALPC25P-4E5B	M83513/03-D04C	MDC-ALPC25S-4E5B	M83513/04-D04C
77	MDC-ALPC31P-4E5B	M83513/03-E04C	MDC-ALPC31S-4E5B	M83513/04-E04C
78	MDC-ALPC37P-4E5B	M83513/03-F04C	MDC-ALPC37S-4E5B	M83513/04-F04C
79	MDC-ALPC51P-4E5B	M83513/03-G04C	MDC-ALPC51S-4E5B	M83513/04-G04C
80	MDC-ALPC100P-4E5B	M83513/03-H04C	MDC-ALPC100S-4E5B	M83513/04-H04C
81	MDC-ALPN09P-4E5B	M83513/03-A04N	MDC-ALPN09S-4E5B	M83513/04-A04N
82	MDC-ALPN15P-4E5B	M83513/03-B04N	MDC-ALPN15S-4E5B	M83513/04-B04N
83	MDC-ALPN21P-4E5B	M83513/03-C04N	MDC-ALPN21S-4E5B	M83513/04-C04N
84	MDC-ALPN25P-4E5B	M83513/03-D04N	MDC-ALPN25S-4E5B	M83513/04-D04N
85	MDC-ALPN31P-4E5B	M83513/03-E04N	MDC-ALPN31S-4E5B	M83513/04-E04N
86	MDC-ALPN37P-4E5B	M83513/03-F04N	MDC-ALPN37S-4E5B	M83513/04-F04N
87	MDC-ALPN51P-4E5B	M83513/03-G04N	MDC-ALPN51S-4E5B	M83513/04-G04N
88	MDC-ALPN100P-4E5B	M83513/03-H04N	MDC-ALPN100S-4E5B	M83513/04-H04N
89	MDC-ALPP09P-4E5B	M83513/03-A04P	MDC-ALPP09S-4E5B	M83513/04-A04P
90	MDC-ALPP15P-4E5B	M83513/03-B04P	MDC-ALPP15S-4E5B	M83513/04-B04P
91	MDC-ALPP21P-4E5B	M83513/03-C04P	MDC-ALPP21S-4E5B	M83513/04-C04P
92	MDC-ALPP25P-4E5B	M83513/03-D04P	MDC-ALPP25S-4E5B	M83513/04-D04P
93	MDC-ALPP31P-4E5B	M83513/03-E04P	MDC-ALPP31S-4E5B	M83513/04-E04P
94	MDC-ALPP37P-4E5B	M83513/03-F04P	MDC-ALPP37S-4E5B	M83513/04-F04P
95	MDC-ALPP51P-4E5B	M83513/03-G04P	MDC-ALPP51S-4E5B	M83513/04-G04P
96	MDC-ALPP100P-4E5B	M83513/03-H04P	MDC-ALPP100S-4E5B	M83513/04-H04P
97	MDC-ALPC09P-4E1C	M83513/03-A13C	MDC-ALPC09S-4E1C	M83513/04-A13C
98	MDC-ALPC15P-4E1C	M83513/03-B13C	MDC-ALPC15S-4E1C	M83513/04-B13C
99	MDC-ALPC21P-4E1C	M83513/03-C13C	MDC-ALPC21S-4E1C	M83513/04-C13C
100	MDC-ALPC25P-4E1C	M83513/03-D13C	MDC-ALPC25S-4E1C	M83513/04-D13C
101	MDC-ALPC31P-4E1C	M83513/03-E13C	MDC-ALPC31S-4E1C	M83513/04-E13C
102	MDC-ALPC37P-4E1C	M83513/03-F13C	MDC-ALPC37S-4E1C	M83513/04-F13C
103	MDC-ALPC51P-4E1C	M83513/03-G13C	MDC-ALPC51S-4E1C	M83513/04-G13C
104	MDC-ALPC100P-4E1C	M83513/03-H13C	MDC-ALPC100S-4E1C	M83513/04-H13C
105	MDC-ALPN09P-4E1C	M83513/03-A13N	MDC-ALPN09S-4E1C	M83513/04-A13N
106	MDC-ALPN15P-4E1C	M83513/03-B13N	MDC-ALPN15S-4E1C	M83513/04-B13N

CRIMP TYPE MICRO-D CONNECTOR				
	PLUG CONNECTOR		RECEPTACLE CONNECTOR	
Sr. No.	Amphenol Part no.	Similar MIL Part No.	Amphenol Part no.	Similar MIL Part No.
107	MDC-ALPN21P-4E1C	M83513/03-C13N	MDC-ALPN21S-4E1C	M83513/04-C13N
108	MDC-ALPN25P-4E1C	M83513/03-D13N	MDC-ALPN25S-4E1C	M83513/04-D13N
109	MDC-ALPN31P-4E1C	M83513/03-E13N	MDC-ALPN31S-4E1C	M83513/04-E13N
110	MDC-ALPN37P-4E1C	M83513/03-F13N	MDC-ALPN37S-4E1C	M83513/04-F13N
111	MDC-ALPN51P-4E1C	M83513/03-G13N	MDC-ALPN51S-4E1C	M83513/04-G13N
112	MDC-ALPN100P-4E1C	M83513/03-H13N	MDC-ALPN100S-4E1C	M83513/04-H13N
113	MDC-ALPP09P-4E1C	M83513/03-A13P	MDC-ALPP09S-4E1C	M83513/04-A13P
114	MDC-ALPP15P-4E1C	M83513/03-B13P	MDC-ALPP15S-4E1C	M83513/04-B13P
115	MDC-ALPP21P-4E1C	M83513/03-C13P	MDC-ALPP21S-4E1C	M83513/04-C13P
116	MDC-ALPP25P-4E1C	M83513/03-D13P	MDC-ALPP25S-4E1C	M83513/04-D13P
117	MDC-ALPP31P-4E1C	M83513/03-E13P	MDC-ALPP31S-4E1C	M83513/04-E13P
118	MDC-ALPP37P-4E1C	M83513/03-F13P	MDC-ALPP37S-4E1C	M83513/04-F13P
119	MDC-ALPP51P-4E1C	M83513/03-G13P	MDC-ALPP51S-4E1C	M83513/04-G13P
120	MDC-ALPP100P-4E1C	M83513/03-H13P	MDC-ALPP100S-4E1C	M83513/04-H13P
121	MDC-ALPC09P-4E5C	M83513/03-A14C	MDC-ALPC09S-4E5C	M83513/04-A14C
122	MDC-ALPC15P-4E5C	M83513/03-B14C	MDC-ALPC15S-4E5C	M83513/04-B14C
123	MDC-ALPC21P-4E5C	M83513/03-C14C	MDC-ALPC21S-4E5C	M83513/04-C14C
124	MDC-ALPC25P-4E5C	M83513/03-D14C	MDC-ALPC25S-4E5C	M83513/04-D14C
125	MDC-ALPC31P-4E5C	M83513/03-E14C	MDC-ALPC31S-4E5C	M83513/04-E14C
126	MDC-ALPC37P-4E5C	M83513/03-F14C	MDC-ALPC37S-4E5C	M83513/04-F14C
127	MDC-ALPC51P-4E5C	M83513/03-G14C	MDC-ALPC51S-4E5C	M83513/04-G14C
128	MDC-ALPC100P-4E5C	M83513/03-H14C	MDC-ALPC100S-4E5C	M83513/04-H14C
129	MDC-ALPN09P-4E5C	M83513/03-A14N	MDC-ALPN09S-4E5C	M83513/04-A14N
130	MDC-ALPN15P-4E5C	M83513/03-B14N	MDC-ALPN15S-4E5C	M83513/04-B14N
131	MDC-ALPN21P-4E5C	M83513/03-C14N	MDC-ALPN21S-4E5C	M83513/04-C14N
132	MDC-ALPN25P-4E5C	M83513/03-D14N	MDC-ALPN25S-4E5C	M83513/04-D14N
133	MDC-ALPN31P-4E5C	M83513/03-E14N	MDC-ALPN31S-4E5C	M83513/04-E14N
134	MDC-ALPN37P-4E5C	M83513/03-F14N	MDC-ALPN37S-4E5C	M83513/04-F14N
135	MDC-ALPN51P-4E5C	M83513/03-G14N	MDC-ALPN51S-4E5C	M83513/04-G14N
136	MDC-ALPN100P-4E5C	M83513/03-H14N	MDC-ALPN100S-4E5C	M83513/04-H14N
137	MDC-ALPP09P-4E5C	M83513/03-A14P	MDC-ALPP09S-4E5C	M83513/04-A14P
138	MDC-ALPP15P-4E5C	M83513/03-B14P	MDC-ALPP15S-4E5C	M83513/04-B14P
139	MDC-ALPP21P-4E5C	M83513/03-C14P	MDC-ALPP21S-4E5C	M83513/04-C14P
140	MDC-ALPP25P-4E5C	M83513/03-D14P	MDC-ALPP25S-4E5C	M83513/04-D14P
141	MDC-ALPP31P-4E5C	M83513/03-E14P	MDC-ALPP31S-4E5C	M83513/04-E14P
142	MDC-ALPP37P-4E5C	M83513/03-F14P	MDC-ALPP37S-4E5C	M83513/04-F14P

CRIMP TYPE MICRO-D CONNECTOR				
	PLUG CONNECTOR		RECEPTACLE CONNECTOR	
Sr. No.	Amphenol Part no.	Similar MIL Part No.	Amphenol Part no.	Similar MIL Part No.
143	MDC-ALPP51P-4E5C	M83513/03-G14P	MDC-ALPP51S-4E5C	M83513/04-G14P
144	MDC-ALPP100P-4E5C	M83513/03-H14P	MDC-ALPP100S-4E5C	M83513/04-H14P
145	MDC-ALPC09P-4F1A	M83513/03-A09C	MDC-ALPC09S-4F1A	M83513/04-A09C
146	MDC-ALPC15P-4F1A	M83513/03-B09C	MDC-ALPC15S-4F1A	M83513/04-B09C
147	MDC-ALPC21P-4F1A	M83513/03-C09C	MDC-ALPC21S-4F1A	M83513/04-C09C
148	MDC-ALPC25P-4F1A	M83513/03-D09C	MDC-ALPC25S-4F1A	M83513/04-D09C
149	MDC-ALPC31P-4F1A	M83513/03-E09C	MDC-ALPC31S-4F1A	M83513/04-E09C
150	MDC-ALPC37P-4F1A	M83513/03-F09C	MDC-ALPC37S-4F1A	M83513/04-F09C
151	MDC-ALPC51P-4F1A	M83513/03-G09C	MDC-ALPC51S-4F1A	M83513/04-G09C
152	MDC-ALPC100P-4F1A	M83513/03-H09C	MDC-ALPC100S-4F1A	M83513/04-H09C
153	MDC-ALPN09P-4F1A	M83513/03-A09N	MDC-ALPN09S-4F1A	M83513/04-A09N
154	MDC-ALPN15P-4F1A	M83513/03-B09N	MDC-ALPN15S-4F1A	M83513/04-B09N
155	MDC-ALPN21P-4F1A	M83513/03-C09N	MDC-ALPN21S-4F1A	M83513/04-C09N
156	MDC-ALPN25P-4F1A	M83513/03-D09N	MDC-ALPN25S-4F1A	M83513/04-D09N
157	MDC-ALPN31P-4F1A	M83513/03-E09N	MDC-ALPN31S-4F1A	M83513/04-E09N
158	MDC-ALPN37P-4F1A	M83513/03-F09N	MDC-ALPN37S-4F1A	M83513/04-F09N
159	MDC-ALPN51P-4F1A	M83513/03-G09N	MDC-ALPN51S-4F1A	M83513/04-G09N
160	MDC-ALPN100P-4F1A	M83513/03-H09N	MDC-ALPN100S-4F1A	M83513/04-H09N
161	MDC-ALPP09P-4F1A	M83513/03-A09P	MDC-ALPP09S-4F1A	M83513/04-A09P
162	MDC-ALPP15P-4F1A	M83513/03-B09P	MDC-ALPP15S-4F1A	M83513/04-B09P
163	MDC-ALPP21P-4F1A	M83513/03-C09P	MDC-ALPP21S-4F1A	M83513/04-C09P
164	MDC-ALPP25P-4F1A	M83513/03-D09P	MDC-ALPP25S-4F1A	M83513/04-D09P
165	MDC-ALPP31P-4F1A	M83513/03-E09P	MDC-ALPP31S-4F1A	M83513/04-E09P
166	MDC-ALPP37P-4F1A	M83513/03-F09P	MDC-ALPP37S-4F1A	M83513/04-F09P
167	MDC-ALPP51P-4F1A	M83513/03-G09P	MDC-ALPP51S-4F1A	M83513/04-G09P
168	MDC-ALPP100P-4F1A	M83513/03-H09P	MDC-ALPP100S-4F1A	M83513/04-H09P
169	MDC-ALPC09P-4F1B	M83513/03-A10C	MDC-ALPC09S-4F1B	M83513/04-A10C
170	MDC-ALPC15P-4F1B	M83513/03-B10C	MDC-ALPC15S-4F1B	M83513/04-B10C
171	MDC-ALPC21P-4F1B	M83513/03-C10C	MDC-ALPC21S-4F1B	M83513/04-C10C
172	MDC-ALPC25P-4F1B	M83513/03-D10C	MDC-ALPC25S-4F1B	M83513/04-D10C
173	MDC-ALPC31P-4F1B	M83513/03-E10C	MDC-ALPC31S-4F1B	M83513/04-E10C
174	MDC-ALPC37P-4F1B	M83513/03-F10C	MDC-ALPC37S-4F1B	M83513/04-F10C
175	MDC-ALPC51P-4F1B	M83513/03-G10C	MDC-ALPC51S-4F1B	M83513/04-G10C
176	MDC-ALPC100P-4F1B	M83513/03-H10C	MDC-ALPC100S-4F1B	M83513/04-H10C
177	MDC-ALPN09P-4F1B	M83513/03-A10N	MDC-ALPN09S-4F1B	M83513/04-A10N
178	MDC-ALPN15P-4F1B	M83513/03-B10N	MDC-ALPN15S-4F1B	M83513/04-B10N

CRIMP TYPE MICRO-D CONNECTOR				
	PLUG CONNECTOR		RECEPTACLE CONNECTOR	
Sr. No.	Amphenol Part no.	Similar MIL Part No.	Amphenol Part no.	Similar MIL Part No.
179	MDC-ALPN21P-4F1B	M83513/03-C10N	MDC-ALPN21S-4F1B	M83513/04-C10N
180	MDC-ALPN25P-4F1B	M83513/03-D10N	MDC-ALPN25S-4F1B	M83513/04-D10N
181	MDC-ALPN31P-4F1B	M83513/03-E10N	MDC-ALPN31S-4F1B	M83513/04-E10N
182	MDC-ALPN37P-4F1B	M83513/03-F10N	MDC-ALPN37S-4F1B	M83513/04-F10N
183	MDC-ALPN51P-4F1B	M83513/03-G10N	MDC-ALPN51S-4F1B	M83513/04-G10N
184	MDC-ALPN100P-4F1B	M83513/03-H10N	MDC-ALPN100S-4F1B	M83513/04-H10N
185	MDC-ALPP09P-4F1B	M83513/03-A10P	MDC-ALPP09S-4F1B	M83513/04-A10P
186	MDC-ALPP15P-4F1B	M83513/03-B10P	MDC-ALPP15S-4F1B	M83513/04-B10P
187	MDC-ALPP21P-4F1B	M83513/03-C10P	MDC-ALPP21S-4F1B	M83513/04-C10P
188	MDC-ALPP25P-4F1B	M83513/03-D10P	MDC-ALPP25S-4F1B	M83513/04-D10P
189	MDC-ALPP31P-4F1B	M83513/03-E10P	MDC-ALPP31S-4F1B	M83513/04-E10P
190	MDC-ALPP37P-4F1B	M83513/03-F10P	MDC-ALPP37S-4F1B	M83513/04-F10P
191	MDC-ALPP51P-4F1B	M83513/03-G10P	MDC-ALPP51S-4F1B	M83513/04-G10P
192	MDC-ALPP100P-4F1B	M83513/03-H10P	MDC-ALPP100S-4F1B	M83513/04-H10P
193	MDC-ALPC09P-4F5A	M83513/03-A11C	MDC-ALPC09S-4F5A	M83513/04-A11C
194	MDC-ALPC15P-4F5A	M83513/03-B11C	MDC-ALPC15S-4F5A	M83513/04-B11C
195	MDC-ALPC21P-4F5A	M83513/03-C11C	MDC-ALPC21S-4F5A	M83513/04-C11C
196	MDC-ALPC25P-4F5A	M83513/03-D11C	MDC-ALPC25S-4F5A	M83513/04-D11C
197	MDC-ALPC31P-4F5A	M83513/03-E11C	MDC-ALPC31S-4F5A	M83513/04-E11C
198	MDC-ALPC37P-4F5A	M83513/03-F11C	MDC-ALPC37S-4F5A	M83513/04-F11C
199	MDC-ALPC51P-4F5A	M83513/03-G11C	MDC-ALPC51S-4F5A	M83513/04-G11C
200	MDC-ALPC100P-4F5A	M83513/03-H11C	MDC-ALPC100S-4F5A	M83513/04-H11C
201	MDC-ALPN09P-4F5A	M83513/03-A11N	MDC-ALPN09S-4F5A	M83513/04-A11N
202	MDC-ALPN15P-4F5A	M83513/03-B11N	MDC-ALPN15S-4F5A	M83513/04-B11N
203	MDC-ALPN21P-4F5A	M83513/03-C11N	MDC-ALPN21S-4F5A	M83513/04-C11N
204	MDC-ALPN25P-4F5A	M83513/03-D11N	MDC-ALPN25S-4F5A	M83513/04-D11N
205	MDC-ALPN31P-4F5A	M83513/03-E11N	MDC-ALPN31S-4F5A	M83513/04-E11N
206	MDC-ALPN37P-4F5A	M83513/03-F11N	MDC-ALPN37S-4F5A	M83513/04-F11N
207	MDC-ALPN51P-4F5A	M83513/03-G11N	MDC-ALPN51S-4F5A	M83513/04-G11N
208	MDC-ALPN100P-4F5A	M83513/03-H11N	MDC-ALPN100S-4F5A	M83513/04-H11N
209	MDC-ALPP09P-4F5A	M83513/03-A11P	MDC-ALPP09S-4F5A	M83513/04-A11P
210	MDC-ALPP15P-4F5A	M83513/03-B11P	MDC-ALPP15S-4F5A	M83513/04-B11P
211	MDC-ALPP21P-4F5A	M83513/03-C11P	MDC-ALPP21S-4F5A	M83513/04-C11P
212	MDC-ALPP25P-4F5A	M83513/03-D11P	MDC-ALPP25S-4F5A	M83513/04-D11P
213	MDC-ALPP31P-4F5A	M83513/03-E11P	MDC-ALPP31S-4F5A	M83513/04-E11P
214	MDC-ALPP37P-4F5A	M83513/03-F11P	MDC-ALPP37S-4F5A	M83513/04-F11P

CRIMP TYPE MICRO-D CONNECTOR				
	PLUG CONNECTOR		RECEPTACLE CONNECTOR	
Sr. No.	Amphenol Part no.	Similar MIL Part No.	Amphenol Part no.	Similar MIL Part No.
215	MDC-ALPP51P-4F5A	M83513/03-G11P	MDC-ALPP51S-4F5A	M83513/04-G11P
216	MDC-ALPP100P-4F5A	M83513/03-H11P	MDC-ALPP100S-4F5A	M83513/04-H11P
217	MDC-ALPC09P-4F5B	M83513/03-A12C	MDC-ALPC09S-4F5B	M83513/04-A12C
218	MDC-ALPC15P-4F5B	M83513/03-B12C	MDC-ALPC15S-4F5B	M83513/04-B12C
219	MDC-ALPC21P-4F5B	M83513/03-C12C	MDC-ALPC21S-4F5B	M83513/04-C12C
220	MDC-ALPC25P-4F5B	M83513/03-D12C	MDC-ALPC25S-4F5B	M83513/04-D12C
221	MDC-ALPC31P-4F5B	M83513/03-E12C	MDC-ALPC31S-4F5B	M83513/04-E12C
222	MDC-ALPC37P-4F5B	M83513/03-F12C	MDC-ALPC37S-4F5B	M83513/04-F12C
223	MDC-ALPC51P-4F5B	M83513/03-G12C	MDC-ALPC51S-4F5B	M83513/04-G12C
224	MDC-ALPC100P-4F5B	M83513/03-H12C	MDC-ALPC100S-4F5B	M83513/04-H12C
225	MDC-ALPN09P-4F5B	M83513/03-A12N	MDC-ALPN09S-4F5B	M83513/04-A12N
226	MDC-ALPN15P-4F5B	M83513/03-B12N	MDC-ALPN15S-4F5B	M83513/04-B12N
227	MDC-ALPN21P-4F5B	M83513/03-C12N	MDC-ALPN21S-4F5B	M83513/04-C12N
228	MDC-ALPN25P-4F5B	M83513/03-D12N	MDC-ALPN25S-4F5B	M83513/04-D12N
229	MDC-ALPN31P-4F5B	M83513/03-E12N	MDC-ALPN31S-4F5B	M83513/04-E12N
230	MDC-ALPN37P-4F5B	M83513/03-F12N	MDC-ALPN37S-4F5B	M83513/04-F12N
231	MDC-ALPN51P-4F5B	M83513/03-G12N	MDC-ALPN51S-4F5B	M83513/04-G12N
232	MDC-ALPN100P-4F5B	M83513/03-H12N	MDC-ALPN100S-4F5B	M83513/04-H12N
233	MDC-ALPP09P-4F5B	M83513/03-A12P	MDC-ALPP09S-4F5B	M83513/04-A12P
234	MDC-ALPP15P-4F5B	M83513/03-B12P	MDC-ALPP15S-4F5B	M83513/04-B12P
235	MDC-ALPP21P-4F5B	M83513/03-C12P	MDC-ALPP21S-4F5B	M83513/04-C12P
236	MDC-ALPP25P-4F5B	M83513/03-D12P	MDC-ALPP25S-4F5B	M83513/04-D12P
237	MDC-ALPP31P-4F5B	M83513/03-E12P	MDC-ALPP31S-4F5B	M83513/04-E12P
238	MDC-ALPP37P-4F5B	M83513/03-F12P	MDC-ALPP37S-4F5B	M83513/04-F12P
239	MDC-ALPP51P-4F5B	M83513/03-G12P	MDC-ALPP51S-4F5B	M83513/04-G12P
240	MDC-ALPP100P-4F5B	M83513/03-H12P	MDC-ALPP100S-4F5B	M83513/04-H12P
241	MDC-ALPC09P-4F1C	M83513/03-A15C	MDC-ALPC09S-4F1C	M83513/04-A15C
242	MDC-ALPC15P-4F1C	M83513/03-B15C	MDC-ALPC15S-4F1C	M83513/04-B15C
243	MDC-ALPC21P-4F1C	M83513/03-C15C	MDC-ALPC21S-4F1C	M83513/04-C15C
244	MDC-ALPC25P-4F1C	M83513/03-D15C	MDC-ALPC25S-4F1C	M83513/04-D15C
245	MDC-ALPC31P-4F1C	M83513/03-E15C	MDC-ALPC31S-4F1C	M83513/04-E15C
246	MDC-ALPC37P-4F1C	M83513/03-F15C	MDC-ALPC37S-4F1C	M83513/04-F15C
247	MDC-ALPC51P-4F1C	M83513/03-G15C	MDC-ALPC51S-4F1C	M83513/04-G15C
248	MDC-ALPC100P-4F1C	M83513/03-H15C	MDC-ALPC100S-4F1C	M83513/04-H15C
249	MDC-ALPN09P-4F1C	M83513/03-A15N	MDC-ALPN09S-4F1C	M83513/04-A15N
250	MDC-ALPN15P-4F1C	M83513/03-B15N	MDC-ALPN15S-4F1C	M83513/04-B15N

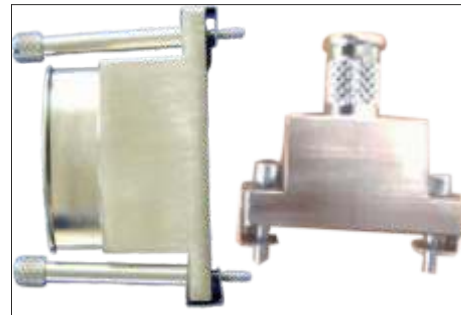
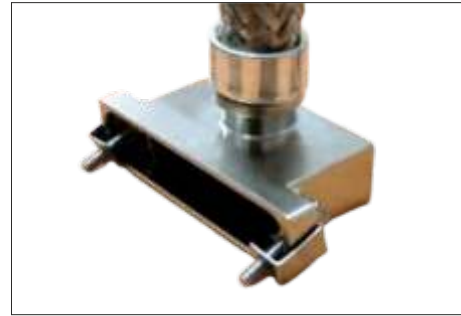
CRIMP TYPE MICRO-D CONNECTOR				
	PLUG CONNECTOR		RECEPTACLE CONNECTOR	
Sr. No.	Amphenol Part no.	Similar MIL Part No.	Amphenol Part no.	Similar MIL Part No.
251	MDC-ALPN21P-4F1C	M83513/03-C15N	MDC-ALPN21S-4F1C	M83513/04-C15N
252	MDC-ALPN25P-4F1C	M83513/03-D15N	MDC-ALPN25S-4F1C	M83513/04-D15N
253	MDC-ALPN31P-4F1C	M83513/03-E15N	MDC-ALPN31S-4F1C	M83513/04-E15N
254	MDC-ALPN37P-4F1C	M83513/03-F15N	MDC-ALPN37S-4F1C	M83513/04-F15N
255	MDC-ALPN51P-4F1C	M83513/03-G15N	MDC-ALPN51S-4F1C	M83513/04-G15N
256	MDC-ALPN100P-4F1C	M83513/03-H15N	MDC-ALPN100S-4F1C	M83513/04-H15N
257	MDC-ALPP09P-4F1C	M83513/03-A15P	MDC-ALPP09S-4F1C	M83513/04-A15P
258	MDC-ALPP15P-4F1C	M83513/03-B15P	MDC-ALPP15S-4F1C	M83513/04-B15P
259	MDC-ALPP21P-4F1C	M83513/03-C15P	MDC-ALPP21S-4F1C	M83513/04-C15P
260	MDC-ALPP25P-4F1C	M83513/03-D15P	MDC-ALPP25S-4F1C	M83513/04-D15P
261	MDC-ALPP31P-4F1C	M83513/03-E15P	MDC-ALPP31S-4F1C	M83513/04-E15P
262	MDC-ALPP37P-4F1C	M83513/03-F15P	MDC-ALPP37S-4F1C	M83513/04-F15P
263	MDC-ALPP51P-4F1C	M83513/03-G15P	MDC-ALPP51S-4F1C	M83513/04-G15P
264	MDC-ALPP100P-4F1C	M83513/03-H15P	MDC-ALPP100S-4F1C	M83513/04-H15P
265	MDC-ALPC09P-4F5C	M83513/03-A16C	MDC-ALPC09S-4F5C	M83513/04-A16C
266	MDC-ALPC15P-4F5C	M83513/03-B16C	MDC-ALPC15S-4F5C	M83513/04-B16C
267	MDC-ALPC21P-4F5C	M83513/03-C16C	MDC-ALPC21S-4F5C	M83513/04-C16C
268	MDC-ALPC25P-4F5C	M83513/03-D16C	MDC-ALPC25S-4F5C	M83513/04-D16C
269	MDC-ALPC31P-4F5C	M83513/03-E16C	MDC-ALPC31S-4F5C	M83513/04-E16C
270	MDC-ALPC37P-4F5C	M83513/03-F16C	MDC-ALPC37S-4F5C	M83513/04-F16C
271	MDC-ALPC51P-4F5C	M83513/03-G16C	MDC-ALPC51S-4F5C	M83513/04-G16C
272	MDC-ALPC100P-4F5C	M83513/03-H16C	MDC-ALPC100S-4F5C	M83513/04-H16C
273	MDC-ALPN09P-4F5C	M83513/03-A16N	MDC-ALPN09S-4F5C	M83513/04-A16N
274	MDC-ALPN15P-4F5C	M83513/03-B16N	MDC-ALPN15S-4F5C	M83513/04-B16N
275	MDC-ALPN21P-4F5C	M83513/03-C16N	MDC-ALPN21S-4F5C	M83513/04-C16N
276	MDC-ALPN25P-4F5C	M83513/03-D16N	MDC-ALPN25S-4F5C	M83513/04-D16N
277	MDC-ALPN31P-4F5C	M83513/03-E16N	MDC-ALPN31S-4F5C	M83513/04-E16N
278	MDC-ALPN37P-4F5C	M83513/03-F16N	MDC-ALPN37S-4F5C	M83513/04-F16N
279	MDC-ALPN51P-4F5C	M83513/03-G16N	MDC-ALPN51S-4F5C	M83513/04-G16N
280	MDC-ALPN100P-4F5C	M83513/03-H16N	MDC-ALPN100S-4F5C	M83513/04-H16N
281	MDC-ALPP09P-4F5C	M83513/03-A16P	MDC-ALPP09S-4F5C	M83513/04-A16P
282	MDC-ALPP15P-4F5C	M83513/03-B16P	MDC-ALPP15S-4F5C	M83513/04-B16P
283	MDC-ALPP21P-4F5C	M83513/03-C16P	MDC-ALPP21S-4F5C	M83513/04-C16P
284	MDC-ALPP25P-4F5C	M83513/03-D16P	MDC-ALPP25S-4F5C	M83513/04-D16P
285	MDC-ALPP31P-4F5C	M83513/03-E16P	MDC-ALPP31S-4F5C	M83513/04-E16P
286	MDC-ALPP37P-4F5C	M83513/03-F16P	MDC-ALPP37S-4F5C	M83513/04-F16P

CRIMP TYPE MICRO-D CONNECTOR				
	PLUG CONNECTOR		RECEPTACLE CONNECTOR	
Sr. No.	Amphenol Part no.	Similar MIL Part No.	Amphenol Part no.	Similar MIL Part No.
287	MDC-ALPP51P-4F5C	M83513/03-G16P	MDC-ALPP51S-4F5C	M83513/04-G16P
288	MDC-ALPP100P-4F5C	M83513/03-H16P	MDC-ALPP100S-4F5C	M83513/04-H16P

Micro-D Backshell



Introduction



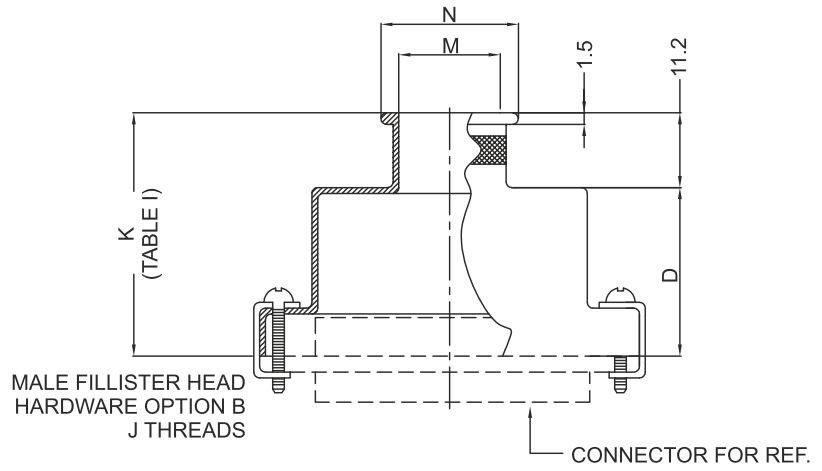
Introduction :-

Amphenol Micro-D backshell are used for shielding application of the Micro-D connectors. Additionally it also provides mechanical protection & strain relief for the connectors.

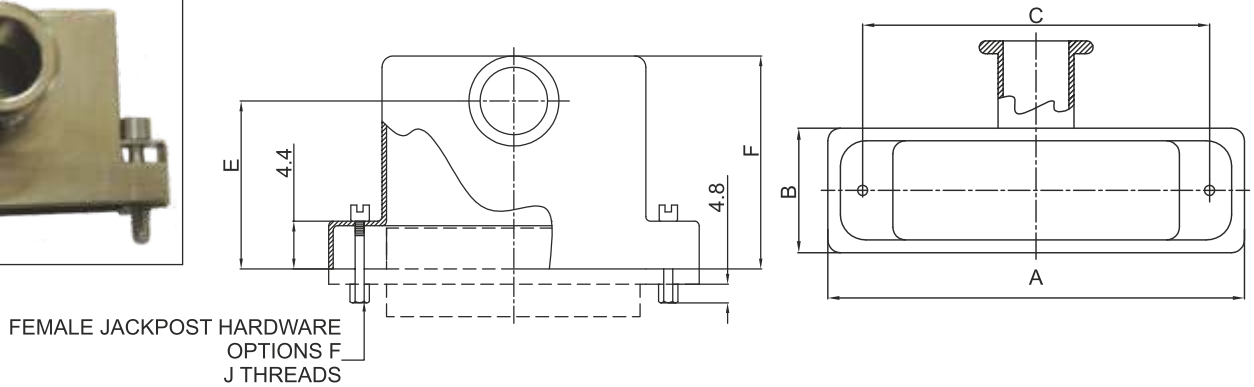
Features :-

- Machined aluminium alloy backshell are available in Standard EMI, Shield Shock, Strain relief, Elliptical Entry Backshells.
- Backshells are available for connector from 9 to 100 position & available in straight, 45 deg, dual 45 deg & 90 deg cable exit options with circular & Elliptical Entry options.
- Supplied with retaining clip & stainless steel hardware.
- Magnetic permeability less than 2 m μ
- Shielding efficiency to 1GHz, 6db to 100 db.
- Multiple finish offered like Cadmium, Electroless Nickel, Gold etc.

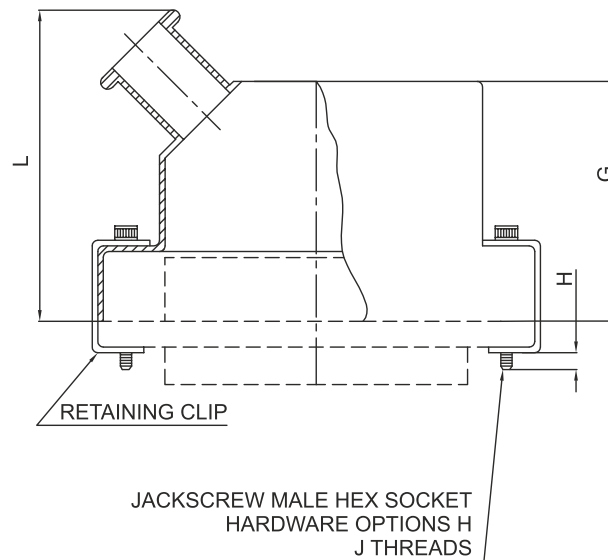
STYLE V - TOP ENTRY



STYLE W - SIDE ENTRY



STYLE X - 45° ENTRY



STYLE Y - DUAL 45° ENTRY

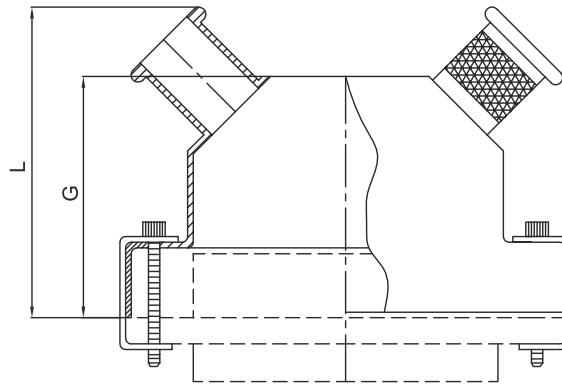


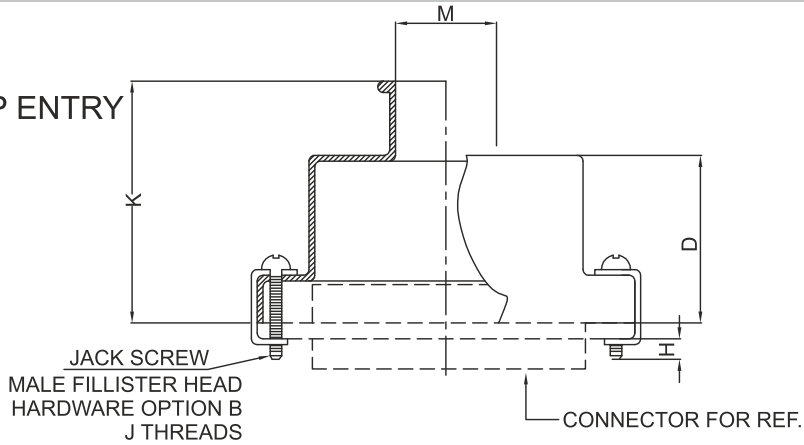
TABLE I

SHELL SIZE	A	B	C	D	E	F	G	H	J	K ±0.8	L MAX
9	19.70	9.10	14.40	8.10	11.00	15.40	16.50	3.90	2-56 UNC-2	19.10	25.40
15	23.50	9.10	18.20	11.20	11.20	16.30	17.80	3.90	2-56 UNC-2	22.40	26.20
21	27.30	9.10	22.00	14.20	11.60	17.20	18.70	3.90	2-56 UNC-2	25.40	26.70
25	29.80	9.10	24.50	15.70	12.30	18.20	20.30	3.90	2-56 UNC-2	26.90	27.70
31	33.70	9.10	28.30	17.30	12.10	18.40	21.80	3.90	2-56 UNC-2	28.40	28.70
37	37.50	9.10	32.10	18.30	12.20	18.90	23.50	3.90	2-56 UNC-2	29.50	31.30
51	36.20	10.20	30.90	19.10	13.90	21.10	24.80	3.90	2-56 UNC-2	30.20	31.80
100	54.90	11.40	45.70	20.60	17.40	25.00	26.70	4.90	4-40 UNC-2	31.80	33.50

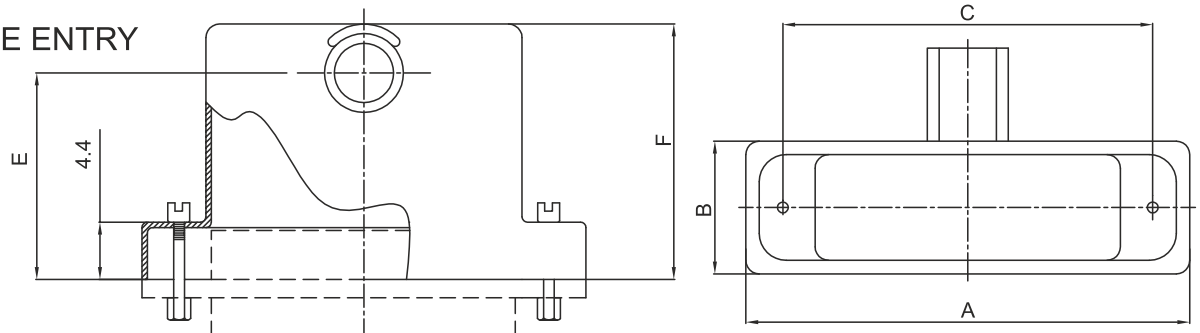
TABLE II

CABLE ENTRY	SHELL SIZE	M ENTRY DIA.	N ENTRY DIA.
04	09 THRU 100	3.20	7.10
05	09 THRU 100	4.00	7.90
06	09 THRU 100	4.80	8.70
07	09 THRU 100	5.60	9.50
08	09 THRU 100	6.40	10.30
09	31 THRU 100	7.10	11.10
10	51 THRU 100	7.90	11.90
11	100 ONLY	8.70	12.7
12	100 ONLY	9.50	13.50

STYLE V - TOP ENTRY



STYLE W - SIDE ENTRY



STYLE X - 45° ENTRY

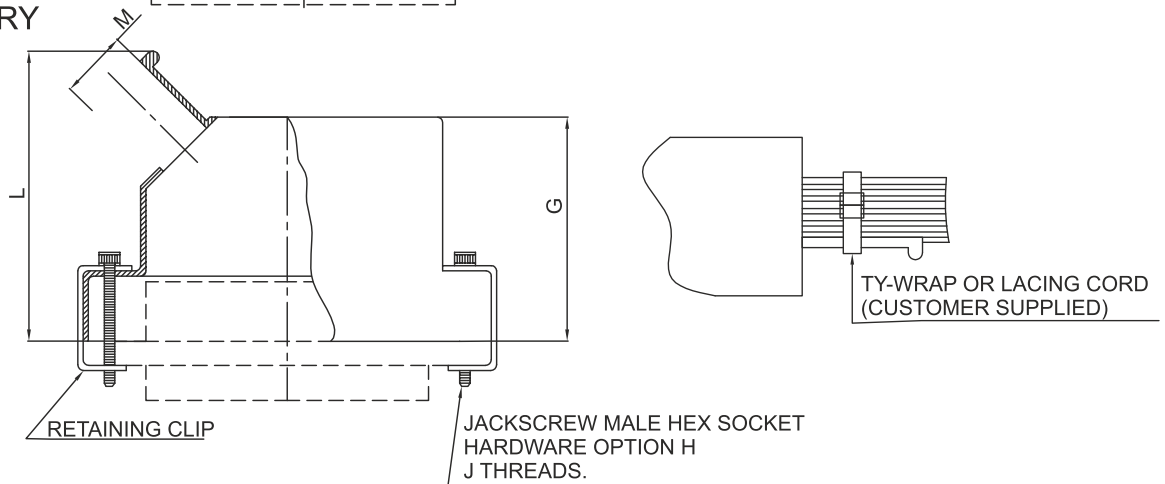
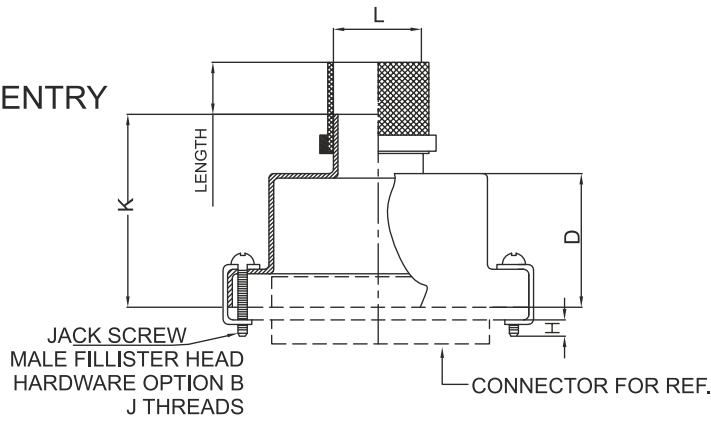


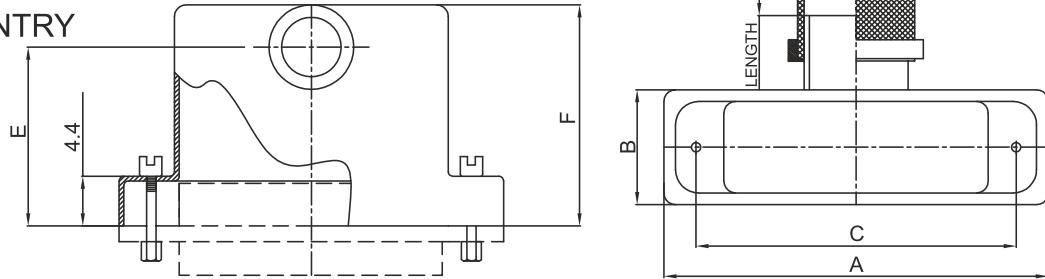
TABLE I

SHELL SIZE	A	B	C	D	E	F	G	H	J	K ±0.8	L MAX	M DIA. ±0.1
9	19.70	9.10	14.40	8.10	15.40	11.00	16.50	3.90	2-56 UNC-2	17.80	22.90	4.00
15	23.50	9.10	18.20	11.20	16.30	11.20	17.80	3.90	2-56 UNC-2	20.80	24.40	4.80
21	27.30	9.10	22.00	14.20	17.20	11.60	18.70	3.90	2-56 UNC-2	23.90	25.10	5.60
25	29.80	9.10	24.50	15.70	18.20	12.30	20.30	3.90	2-56 UNC-2	25.40	26.70	6.40
31	33.70	9.10	28.30	17.30	18.40	12.10	21.80	3.90	2-56 UNC-2	26.90	27.40	6.70
37	37.50	9.10	32.10	18.30	18.90	12.20	23.50	3.90	2-56 UNC-2	27.90	25.90	7.10
51	36.20	10.20	30.90	19.10	21.10	13.90	24.80	3.90	2-56 UNC-2	28.70	30.70	7.90
100	54.90	11.40	45.70	20.60	25.00	17.40	26.70	4.90	4-40 UNC-2	30.20	32.50	9.50

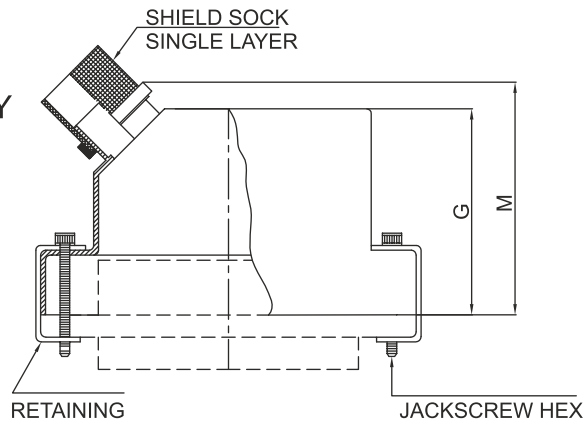
STYLE V - TOP ENTRY



STYLE W - SIDE ENTRY



STYLE X - 45° ENTRY

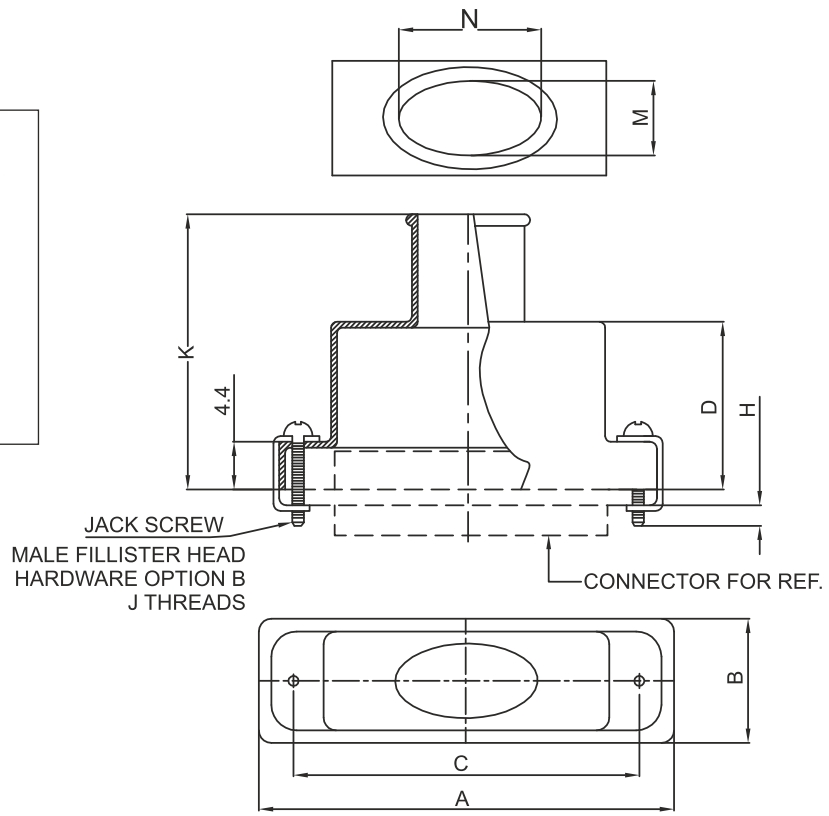
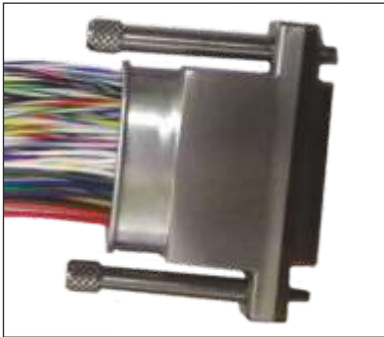


DASH NO.	L ENTRY
4	3.20
5	4.00
6	4.80
7	5.60
8	6.40
9	7.10
10	7.90
11	8.70
12	9.50

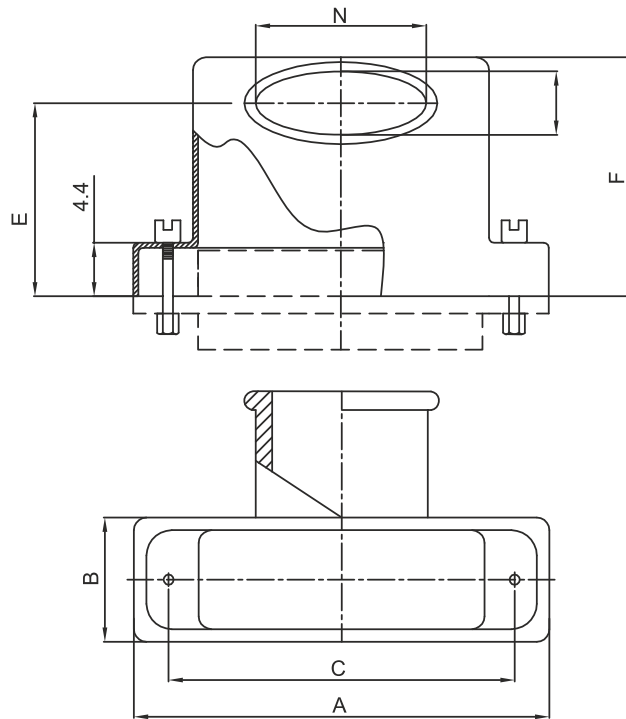
TABLE I

SHELL SIZE	A	B	C	D	E	F	G	H	J	K ±0.8	M MAX	MAX ENTRY TABLE II
9	19.70	9.10	14.40	8.10	11.00	15.40	16.50	3.90	2-56 UNC-2	19.10	25.40	8.00
15	23.50	9.10	18.20	11.20	11.20	16.30	17.80	3.90	2-56 UNC-2	22.40	26.20	8.00
21	27.30	9.10	22.00	14.20	11.60	17.20	18.70	3.90	2-56 UNC-2	25.40	26.70	8.00
25	29.80	9.10	24.50	15.70	12.30	18.20	20.30	3.90	2-56 UNC-2	26.90	27.70	8.00
31	33.70	9.10	28.30	17.30	12.10	18.40	21.80	3.90	2-56 UNC-2	28.40	28.70	9.00
37	37.50	9.10	32.10	18.30	12.20	18.90	23.50	3.90	2-56 UNC-2	29.50	29.50	9.00
51	36.20	10.20	30.90	19.10	13.90	21.10	24.80	3.90	2-56 UNC-2	30.20	30.20	10.00
100	54.90	11.40	45.70	20.60	17.40	25.00	26.70	4.90	4-40 UNC-2	31.80	31.80	12.00

STYLE V - TOP ENTRY



STYLE W - SIDE ENTRY



STYLE X - 45° ENTRY

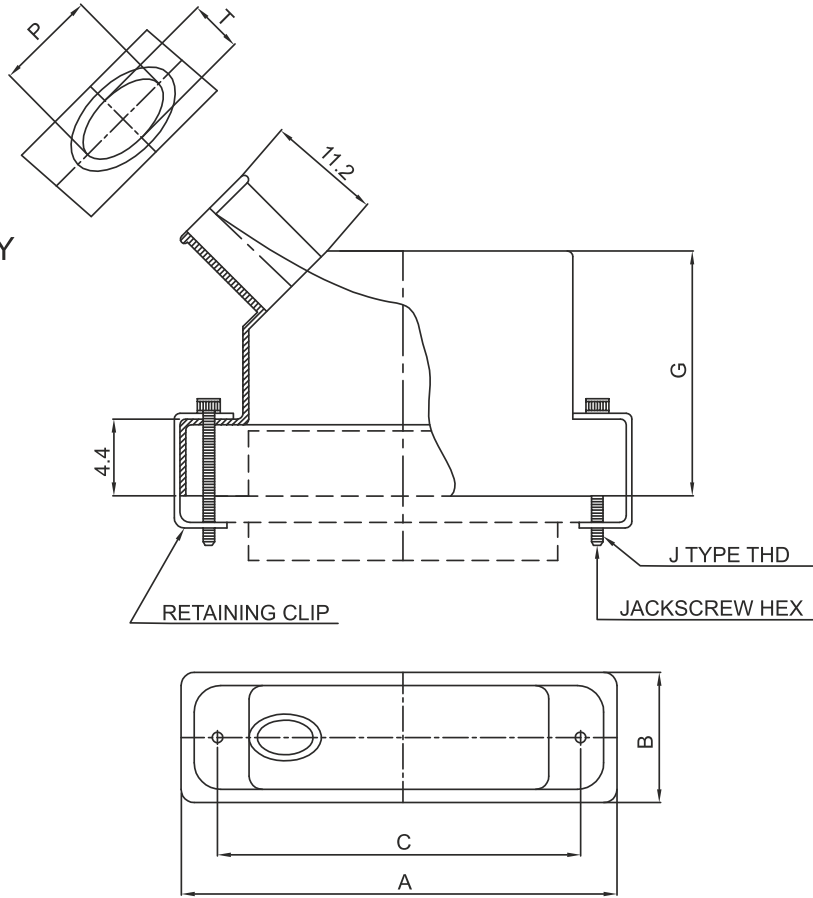
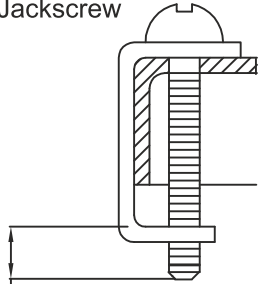


TABLE I

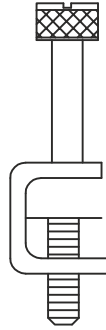
SHELL SIZE	A	B	C	D	E	F	G	P	T	H REF.	J	K ±0.8	M	N
9	19.70	8.60	14.40	8.10	11.00	15.40	21.30	8.10	4.00	3.90	2-56 UNC-2	19.10	7.10	7.90
15	23.50	8.60	18.20	11.20	11.20	16.30	22.60	9.80	4.80	3.90	2-56 UNC-2	22.40	7.10	10.70
21	27.30	8.60	22.00	14.20	11.40	17.20	23.60	11.40	5.60	3.90	2-56 UNC-2	25.40	7.10	15.00
25	29.80	8.60	24.50	15.70	12.30	18.20	24.90	12.90	6.40	3.90	2-56 UNC-2	26.90	7.10	17.50
31	33.70	8.60	28.30	17.30	12.10	18.40	25.40	13.80	6.70	3.90	2-56 UNC-2	28.40	7.10	20.80
37	37.50	8.60	32.10	18.30	12.10	18.90	25.90	14.20	7.10	3.90	2-56 UNC-2	29.50	7.10	24.60
51	36.20	9.70	30.90	19.10	13.70	21.10	27.20	16.20	7.90	3.90	2-56 UNC-2	30.20	7.90	23.40
100	54.90	10.90	45.70	20.60	17.40	25.00	29.50	19.50	9.50	4.90	4-40 UNC-2	31.80	9.10	32.80

Style "B"
Fillister Head
Male Jackscrew



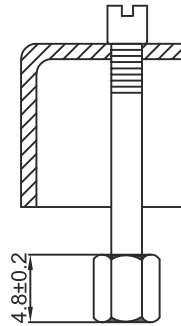
Sizes 9-51 -3.9
Size 100-4.9

Style "E"
Extended Jackscrew

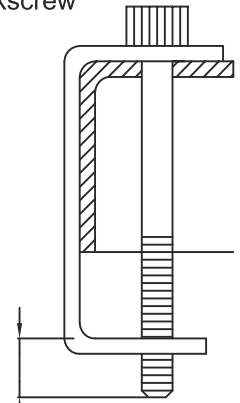


Not available with 45°
Entry Backshell

Style "F"
Female Jackpost



Style "H"
Hex (Allen) Head
Jackscrew



SIZES 9-51 - 3.9
SIZE 100 - 4.9

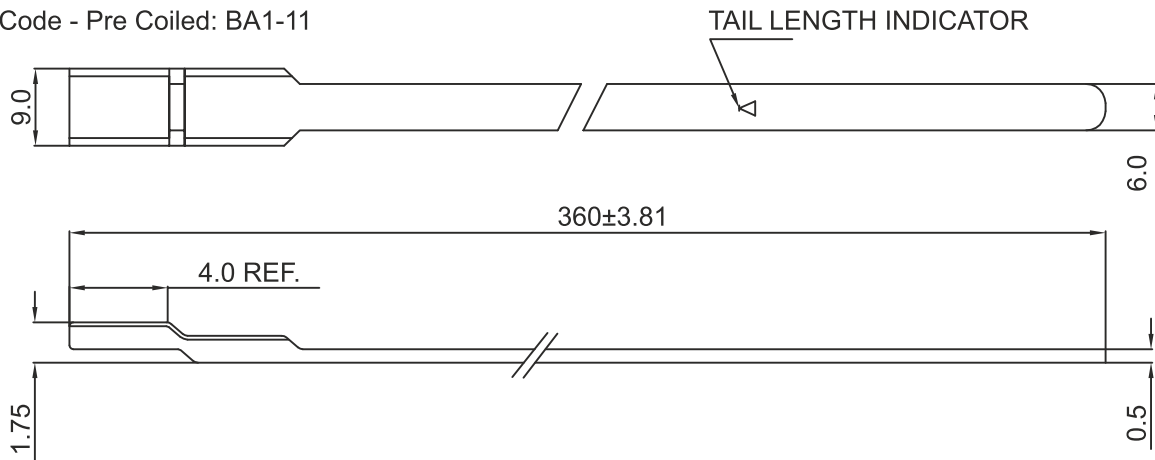
NOTES:-

FB:- (1) Female Jackpost & (1) Male Jackpost
FH:- (1) Female Jackpost & (1) Male Hex Socket

BAND OPTION: B

STANDARD BAND

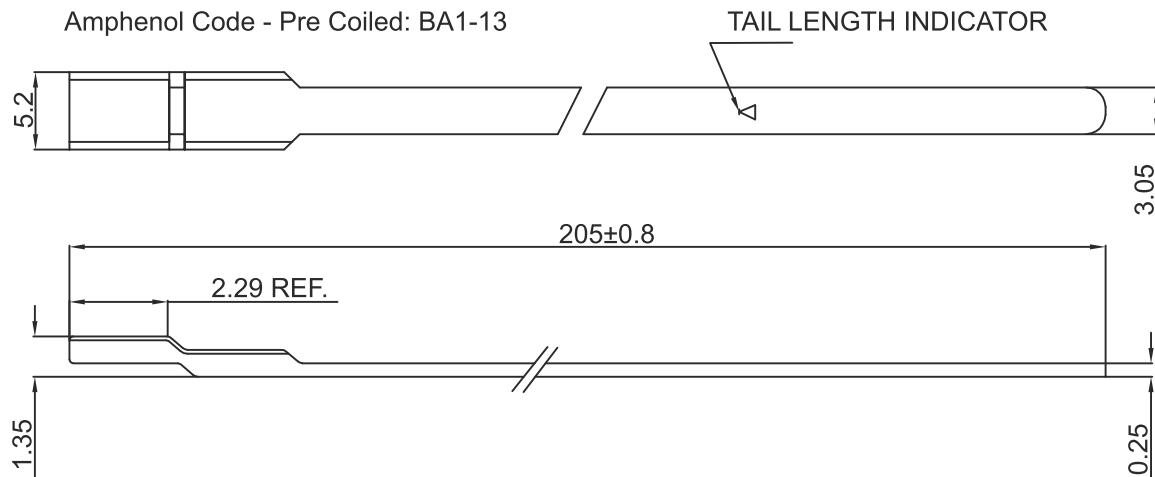
Amphenol Code - Pre Coiled: BA1-11

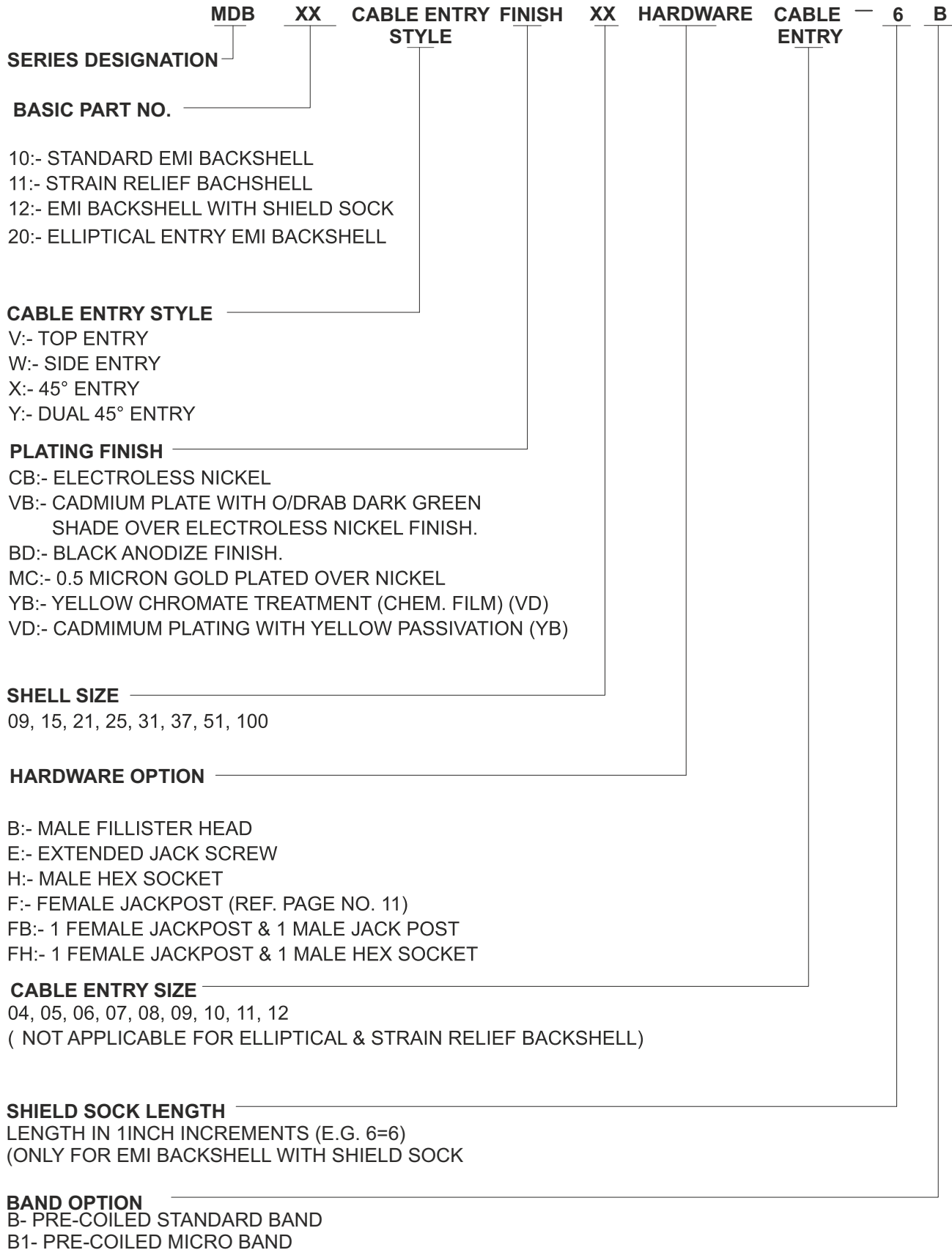


BAND OPTION: B1

MICRO-BAND

Amphenol Code - Pre Coiled: BA1-13





Notice: All information including illustrations given herein is believed to be accurate at the time of printing. In lieu of design advances Amphenol reserves the right to change specifications without notice. This Publication D-Sub & Micro-D Accessories Rev 04-22 Series Connectors supercedes all existing Amphenol literature on D-Sub & Micro-D Accessories Connectors.

Amphenol

A Global Company



Pune Operations



Bangalore Operations

Amphenol

Interconnect India Pvt. Ltd.

Manufacturing Locations

Corporate Office & Pune Factory
105, Bhosari Industrial Area, Pune - 411 026.
Tel.: 91-20-67360302
Fax : 91-20-67360321
Email: svpatil@amphenol-in.com

Bangalore Factory
61, Keonics Electronic City, Hosur Road,
Bangalore - 560 102.
Tel.: 91-6679 0900 /910 /937
Fax.: 91-80-2852 0418

Marketing Locations

Marketing Headquarters
Tel.: 91-20-6736 0303, 6736 0304
Fax : 91-20-6736 0321
Email : svpatil@amphenol-in.com

Western Region
Tel.: 91-20-6736 0334
Email : sunilp@amphenol-in.com

Northern & Eastern Region
A-421, Pacific Business Park,
Plot No. 37/1, Sahibabad Indst. Area
Site IV, Ghaziabad (UP) - 201 010.
Tel.: 91-120- 6513 781 /82 /83 /84
Email : sunily@amphenol-in.com

Southern Region
No. 1115, 22nd Main Road, 11th Cross,
Sector -1, HSR Layout, Bangalore - 560 102.
Tel.: 91-80-4953 0341, 4953 0345
Fax: 91-80-4953 8697
Email : kmanoj@amphenol-in.com

Central Region
9/17/A&B, 4th Floor, West Block,
Pinnacle Towers, Road No. 6, IDA Nacharam,
Hyderabad - 500076
Tel.: 91-40-2930 2810
Fax.: 91-40-2930 2811
Email : pprasad@amphenol-in.com

Exports
Tel.: 91-20-6736 0371, 6736 0353
Email : shrikantgramopadhye@amphenol-in.com

www.amphenol-in.com