

Amphenol

Amphenol D-Sub And
Micro-D Accessories

Amphenol D-SUB ACCESSORIES



Amphenol

Content	Page
D-Sub	
Introduction	1
Strain Relief Backshell	2
Female Screw Lock	3
Male Screw Lock	4
Dust Cover (Plug & Receptacle)	5
Gaskets	6
Plastic Hood (Straight) Entry & 45 Degree Entry	7
Metal Hood Straight (Straight Entry)	8
Metal Hood (45 Degree & 90 Degree Entry)	9
Metal Hood With Metal Clip & Metal Hood (Heavy Duty)	10
Insertion Removal Tool	11
Micro - D	
Standard EMI Backshell Circular Entry	12-13
Strain Relief EMI Backshell Circular Entry	14
EMI Backshell With Shield Sock	15
RFI/EMI Elliptical Banding Backshell	16-17
Hardware Details	18
Ordering Information	19

WIDE RANGE OF ACCESSORIES FOR SECURE CONNECTION

Amphenol's D-Subminiature (D-Sub) connectors are part of industry standard and are one of the most popular Input/Output interconnects, addressing a wide variety of applications including telecommunications, industrial and medical.

- ◆ Prevents accidental mismatching
- ◆ Hoods available in 9 to 50 positions for different connector pin configurations
- ◆ Metal hoods available in straight and angled terminations for EMI/RFI shielding
- ◆ Dust caps available in plastic versions
- ◆ Locking screws comes with UNC 4-40 and M3 thread options



TARGET MARKETS



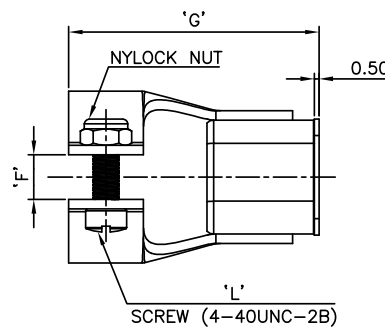
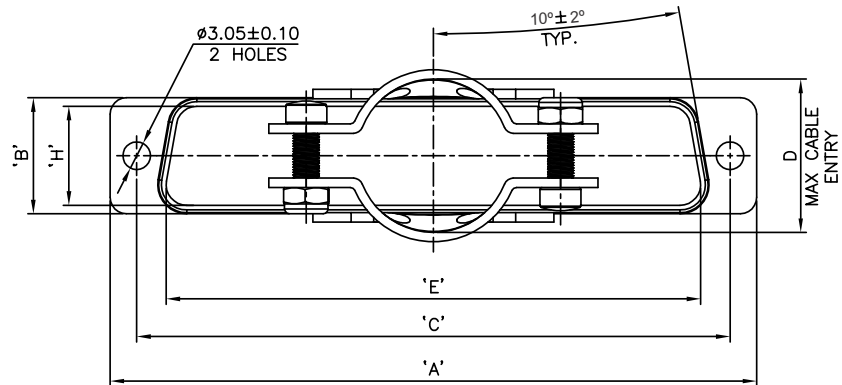
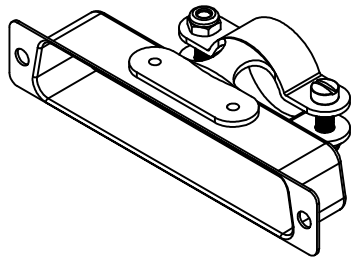
FEATURES

- ◆ Hoods available in plastic, metalized and metallic form with locking screws
- ◆ Hoods available in 9 to 50 positions
- ◆ Metal hoods available in straight and angled terminations
- ◆ Hoods available with cable clamps and jackscrews
- ◆ Hoods available in different orientations and locking options
- ◆ Range includes different locking devices like screw locks and lever locks
- ◆ Screws available in both UNC 4-40 and M3 thread options
- ◆ Metal and plastic dust caps

BENEFITS

- ◆ Supports cable connection and prevents risks of pulling up and accidental mismatching
- ◆ Suitable for different connector pin configurations including high density series
- ◆ Suitable for EMI/RFI shielding
- ◆ Assures secure connection with required strain relief
- ◆ Supports various customization need
- ◆ Ensures secure and reliable connection
- ◆ Ensures connector intermateability
- ◆ Safeguards connector from dust and dirt when kept in unmated condition

D-SUB STRAIN RELIEF BACKSHELL (09 TO 50 PIN)



DIMENSION TABLE :

SR. NO.	PART NO. FOR CADMIUM YELLOW PASSIVATION	PART NO. FOR ELE. NICKEL FINISH	STD.	HIGH	SHELL SIZE	'A'	'B'	'C'	'D'	'E'	'F'	'G'	'H'	'L' ±0.78
			DENSITY	NO. OF PIN'S										
1	M85049/48-2-1F	M85049/48-2-1N	09	15	1	31.06	13.08	25.12	10.31	17.17	3.56	26.95	9.12	9.53
						30.30	12.32	24.87		16.41	2.79	25.43	8.36	
2	M85049/48-2-2F	M85049/48-2-2N	15	26	2	39.26	13.08	33.45	10.31	25.37	3.56	26.95	9.12	9.53
						38.51	12.32	33.20		24.61	2.79	25.43	8.36	
3	M85049/48-2-3F	M85049/48-2-3N	25	44	3	53.16	13.08	47.17	15.06	38.86	5.13	27.74	9.12	9.53
						52.40	12.32	46.91		38.10	4.37	26.21	8.36	
4	M85049/48-2-4F	M85049/48-2-4N	37	62	4	69.42	13.08	63.63	18.24	55.52	6.73	27.74	9.12	12.70
						68.66	12.32	63.37		54.76	5.97	26.21	8.36	
5	M85049/48-2-5F	M85049/48-2-5N	50	78	5	67.06	15.85	61.24	20.62	53.54	8.31	27.74	11.51	15.88
						66.29	15.09	60.99		52.78	7.54	26.21	10.74	

Technical Data :

1. Materials :

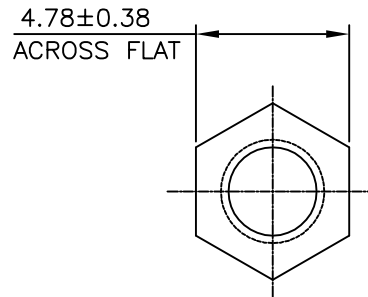
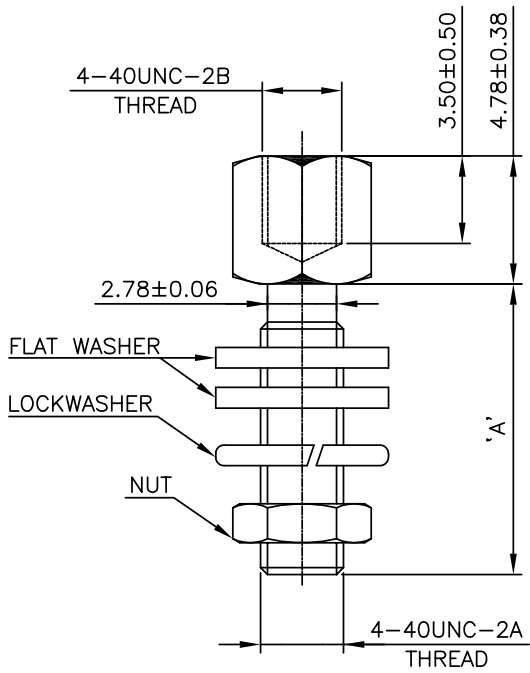
- a) Shell & Clamp : Mild Steel
- b) Hardware : Stainless Steel

2. Finish

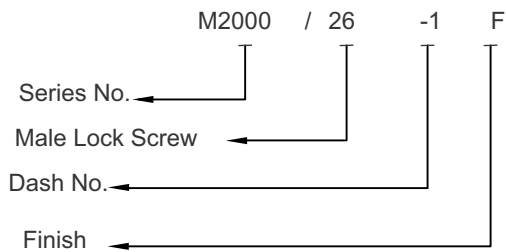
- a) Shell & Clamp : F - Cadmium Yellow Passivation
: N - Electroless Nickel Finish
- b) Hardware : F - Cadmium Yellow Passivation
: N - SS Passivation

3. Salt Spray Test : 48 Hours

4. Recommended Torque : 0.35-0.45 N-m (3 -4Inch Pound)



Ordering Information:



Dimension Table :

Sr. No.	MIL Part No.	± 0.38
1.	M2000/26-1F	7.92
2.	M2000/26-2F	15.88

Finish :

- F- Cadmium Yellow Passivation
- Z- Zinc Yellow Passivation
- TI - Tin Plating
- No. Suffix - Nickel Plating
- P- Passivated SS

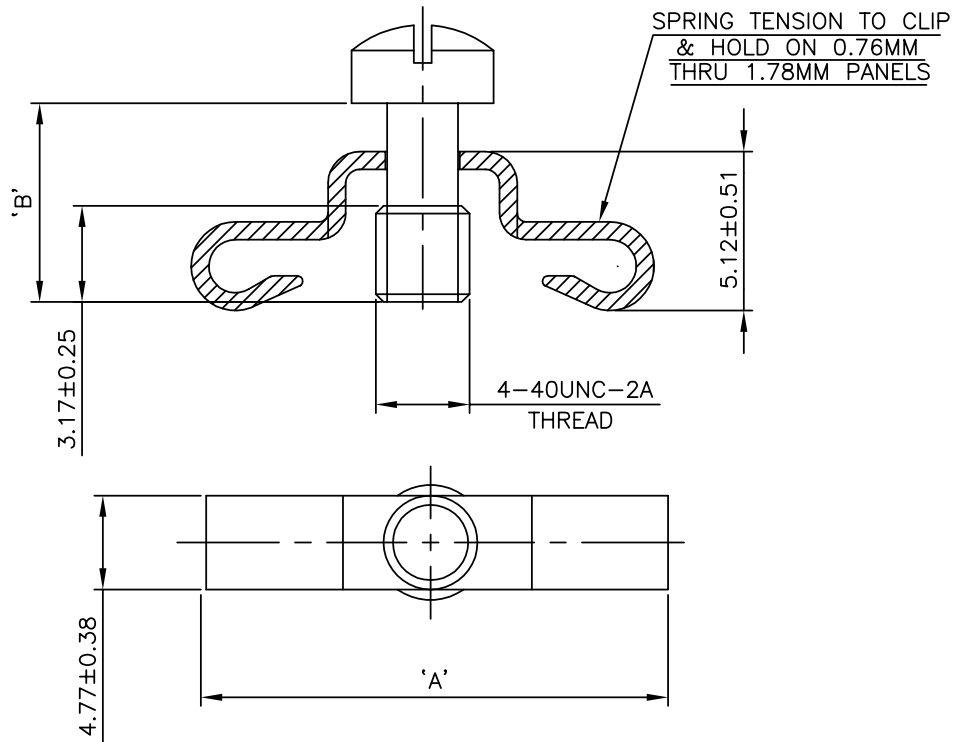
Notes:

1. All Dimensions in MM
2. When A Connector Using The Alternate Method Of Securing The Shell Is Front Mounted, One Flat Washer Shall Be Used As A Spacer Between The Mounted Surface & The Connector

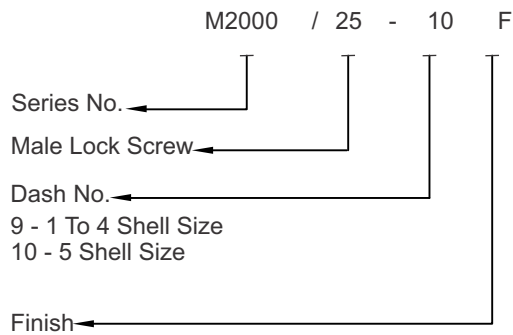
Technical Data :

1. Corrosive Atmosphere (Salt Spray) : 48 Hrs. 5% Salt Solution At 35° ± 2°C And 95% To 98% Relative Humidity
2. Material & Finish : Cold Rolled Steel With Cadmium Yellow Passivation

MALE SCREW LOCK ASSEMBLY (09 TO 50 PIN)



Ordering Information:



Dimension Table :

Sr. No.	MIL Part No.	Shell Size	'A' ± 0.38	'B' ± 0.25
1.	M2000/25-9F	1 To 4	14.10	7.14
2.	M2000/25-10F	5	16.66	7.14

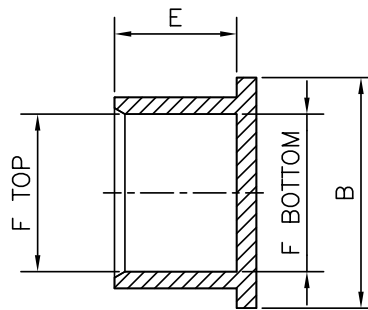
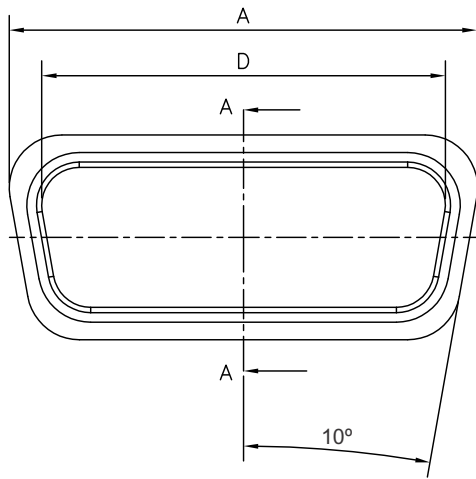
Finish :

F- Cadmium Yellow Passivation
 Z- Zinc Yellow Passivation
 TI - Tin Plating
 No. Suffix - Nickel Plating
 P- Passivated SS

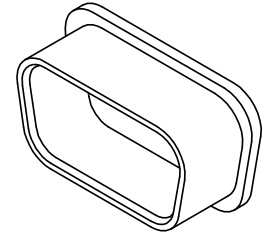
Notes :

1. All Dimensions In MM
2. Screw Shall Be Captive In The Clip After Assembly By The End User And Corrosion Resistant Steel Screw Shall Be Used With Corrosion Resistant Steel Clip & Cold Rolled Screws Shall Be Used With Sheet Steel Clip

PLASTIC DUSTCAP FOR RECEPTACLE CONNECTOR



SECTION A-A



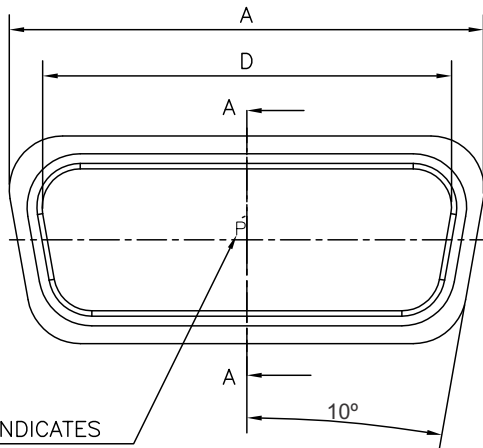
Dimension Table (Receptacle)

SHELL SIZE	NO.OF PIN		PART NO.	'A'	'B'	'D'	'E'	'F'
	STD	HDD		±0.30	±0.30	±0.20	±0.20	±0.20
1	09	15	M2000-109125	18.50	11.80	16.20	5.00	7.65
2	15	26	M2000-109126	27.00	11.80	24.60	5.00	7.65
3	25	44	M2000-109127	40.90	11.80	38.30	5.00	7.65
4	37	62	M2000-109128	57.30	11.80	54.70	5.00	7.65
5	50	78	M2000-109129	55.20	14.50	52.40	5.00	10.50

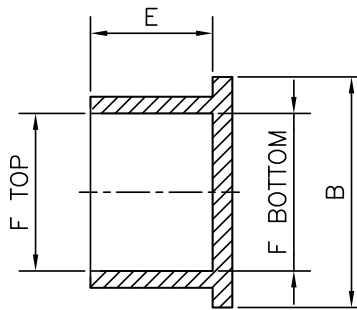
MATERIAL : UL APPROVED POLYPROPYLENE (RED COLOR)

D-Sub Plastic Dust Cap Receptacle

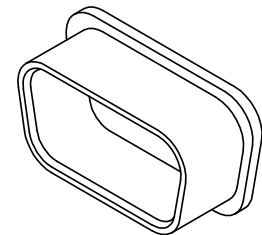
PLASTIC DUSTCAP FOR PLUG CONNECTOR



"P" INDICATES
PLUG CAPS



SECTION A-A

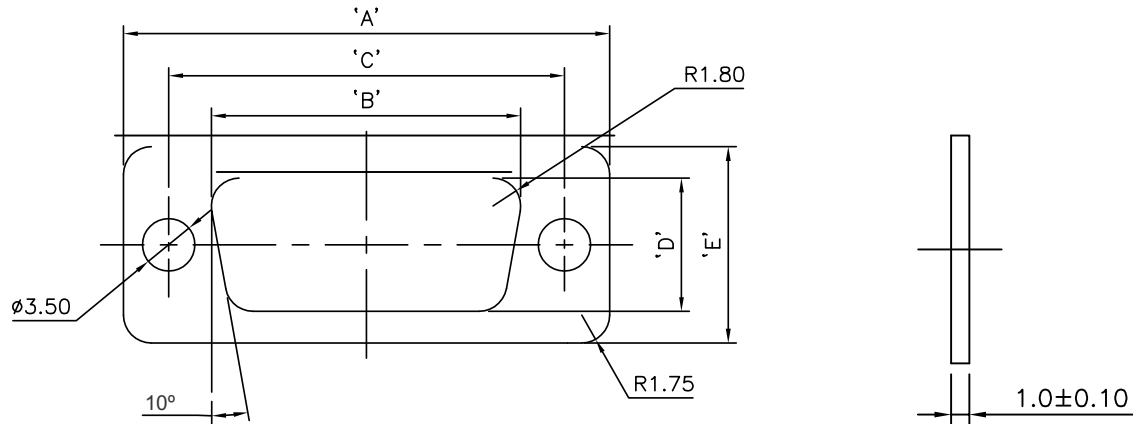


Dimension Table (Plug)

SHELL SIZE	NO.OF PIN		PART NO.	'A'	'B'	'D'	'E'	'F'
	STD	HDD		±0.30	±0.30	±0.20	±0.20	±0.20
1	09	15	M2000-109118	20.30	13.0	17.70	4.50	8.98
2	15	26	M2000-109119	28.10	13.0	26.00	4.50	8.98
3	25	44	M2000-109120	42.00	13.0	40.00	4.50	8.98
4	37	62	M2000-109121	59.00	13.0	56.70	4.50	8.98
5	50	78	M2000-109122	56.0	15.90	54.00	4.50	12.10

MATERIAL : UL APPROVED POLYPROPYLENE (BLACK COLOR)

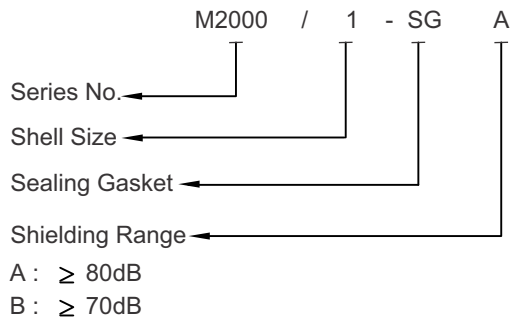
THESE GASKETS ARE SUITABLE FOR MIL-DTL-24308 CONNECTORS



DIMENSION TABLE :

SR NO.	PART NO.	SHELL SIZE	NO. OF PINS		'A' ± 0.13	'B' ± 0.13	'C' ± 0.13	'D' ± 0.13	'E' ± 0.13
			STD	HDD					
1	M2000/1-SG	1	09	15	30.70	19.00	24.99	10.0	12.40
2	M2000/2-SG	2	15	26	39.00	27.00	33.32		
3	M2000/3-SG	3	25	44	52.90	41.00	47.04		
4	M2000/4-SG	4	37	62	69.20	57.00	63.50		
5	M2000/5-SG	5	50	78	66.80	55.00	61.11	13.00	15.25

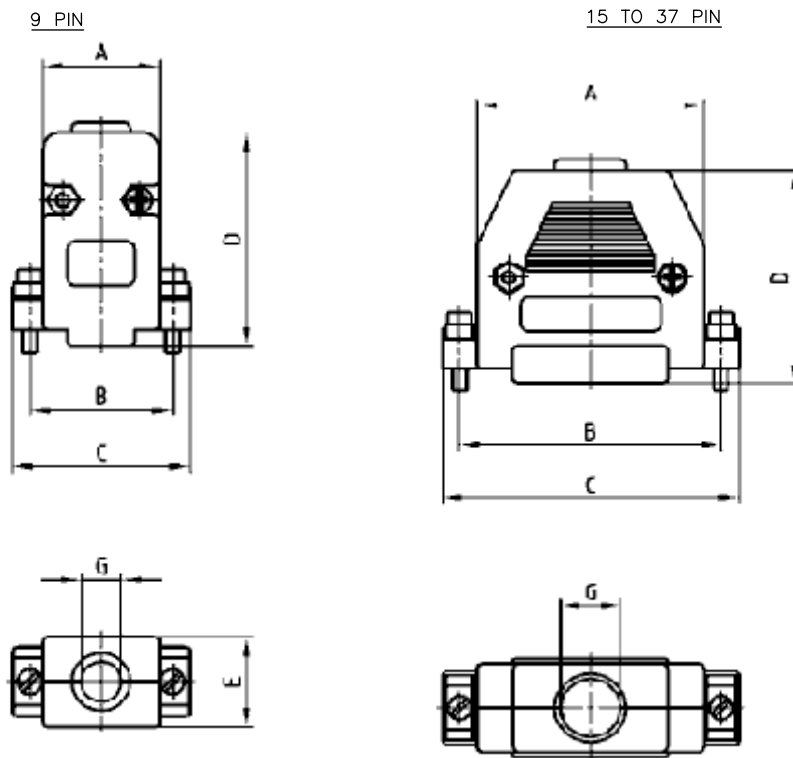
Ordering Information:



Technical Data

Material : Fluorosilicone
 Temperature : - 55°C To 160°C
 Hardness
 For A Type : 65±10
 For B Type : 75±7

Note : For Availability Of This Product Please Contact Factory



Ordering Information:

M2000 / 1 - PH
 Series No. _____
 Shell Size (1, 2, 3, 4, 5) _____
 Plastic Hood _____

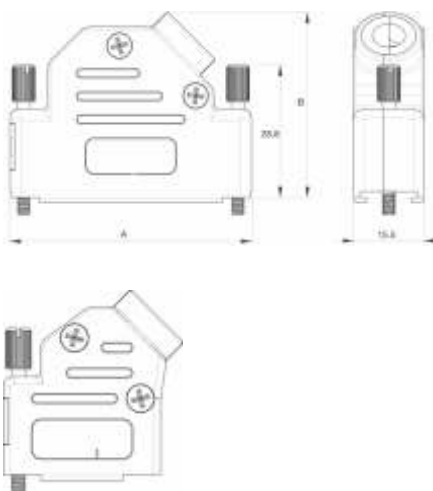
Notes:

1. Material
 Plastic Hood : ABS Unfilled UL 94 HB
 Colour : Grey
 Screw (4-40) : Steel, Nickel Plated
2. Cable Strain Relief
 Cable Clamp With Self Tapping Screws
3. Temperature Range : -55° + 85°C

Dimension Table:

PART NO.	NO. OF PINS	A	B	C MAX.	D MAX.	E MAX.	φG MAX.
M2000/1-PH	09	20.60	25.00	32.00	42.00	17.00	7.50
M2000/2-PH	15	27.80	33.32	42.00	40.00	17.00	10.00
M2000/3-PH	25	40.90	47.04	55.00	44.70	16.80	11.00
M2000/4-PH	37	58.00	63.50	70.00	51.10	24.20	14.00

D-Sub Plastic Hood (45 Degree)



Hoods available in Plastic, Metalized and Metallic form
 Cable strain relief : Steel fibre reinforced polycarbonate UL94V-0

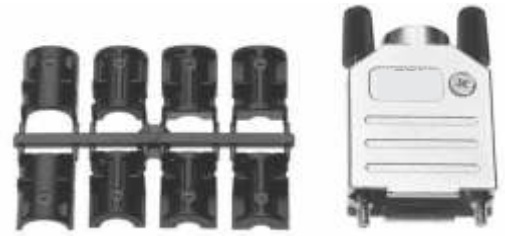
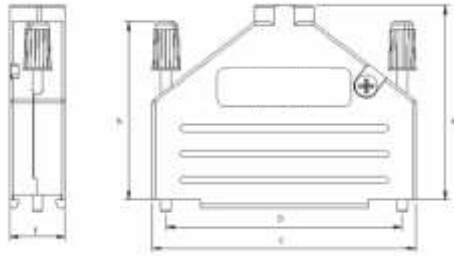
Color : Black

Temperature range : -40° + 120° C

Locking screws : UNC 4-40 thread

Dimension Table:

Part No.	No. of Pins	A	B	Cable Diameter 4 to 13 mm
M2000/1-PHA	09	31.0	36.2	
M2000/2-PHA	15	39.5	40.2	
M2000/3-PHA	25	53.0	40.2	
M2000/4-PHA	37	69.5	40.2	



Dimension Table:

PART NO.	SHELL SIZE	NO. OF PIN'S		'A'	'B'	'C'	'D'	'E'
		STD	HDD					
M2000/1-MHZ	1	09	15	38.30	47.30	31.00	24.99	14.60
M2000/2-MHZ	2	15	26	40.50	47.30	39.50	33.32	14.60
M2000/3-MHZ	3	25	44	47.30	47.30	53.20	47.04	14.60
M2000/4-MHZ	4	37	62	52.20	47.30	70.90	63.50	15.00

Ordering Information:

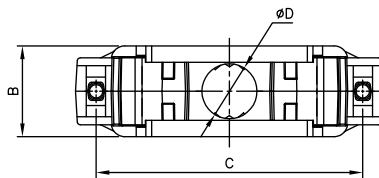
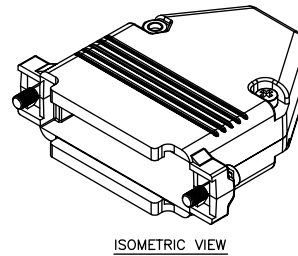
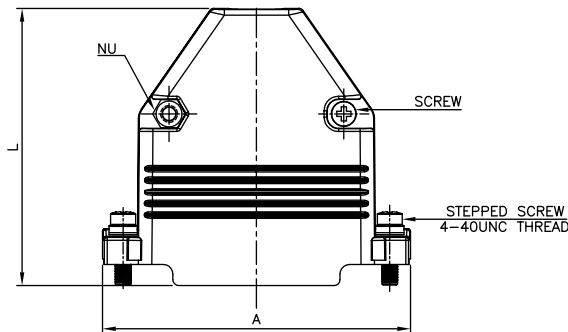
M2000 / 1 - MHZ
 SERIES NO. _____
 SHELL SIZE _____
 1 - 09/15 PIN
 2 - 15/26 PIN
 3 - 25/44 PIN
 4 - 37/62 PIN
 METAL HOOD (STRAIGHT) _____

Technical Data:

1. Material & Finish:

- a) Hood Body : Zinc Die Casted With Nickel Plated
- b) Hardware : Steel With Nickel Plated (UNC 4-40)
- b) Cable Clamp : Plastic (Black Color)

D-Sub Straight Metal Hood (Aluminium)



ORDERING INFORMATION:-

M2000 / 1 X - MH
 SERIES NO. _____
 SHELL SIZE _____
 1 - 09/15 PIN
 2 - 15/26 PIN
 3 - 25/44 PIN
 4 - 37/62 PIN
 5 - 50/78 PIN
 FINISH _____
 METAL HOOD _____

Finish:

F - Cadmium Yellow Passivation
 OMIT For Electroless Nickel

Technical Data:

1. Material

- a) Hood Body : Aluminium Alloy
- b) Hardware : Steel

2. Finish

a) Hood Body : F- Cadmium Yellow Passivation
 OMIT For Electroless Nickel Finish

b) Hardware : F- Cadmium Yellow Passivation
 OMIT For Electroless Nickel Finish

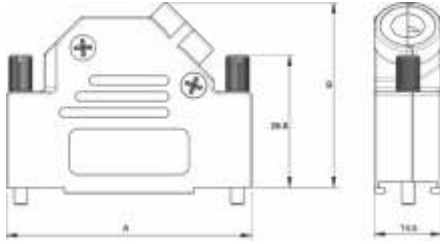
3. Salt spray Test : 48 HOURS

Dimension Table:

SR. NO.	PART NO.	SHELL SIZE	NO. OF PINS DENSITY		'A'	'B'	'C'	'D'	'L'
			STD.	HIGH					
1	M2000/1-MH	1	9	15	31.50	15.60	24.99	6.00	47.60
2	M2000/2-MH	2	15	26	40.80	15.60	33.30	10.00	48.20
3	M2000/3-MH	3	25	44	54.20	16.00	47.00	10.00	48.80
4	M2000/4-MH	4	37	62	69.20	16.00	63.50	10.20	48.60
5	M2000/5-MH	5	50	78	67.10	18.00	61.10	12.30	48.60

D sub 45 Degree Metal Hood

Size: 15 to 50



Size: 09



Dimension Table:

Part No.	Shell Size	Std. No. Of	HDD PINS	A	B	Cable Diameter
M2000/2-MHA	2	15	26	39.50	40.20	
M2000/3-MHA	3	25	44	53.20	40.20	
M2000/4-MHA	4	37	62	69.70	40.20	
M2000/5-MHA	5	50	78	67.20	43.70	

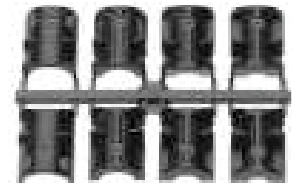
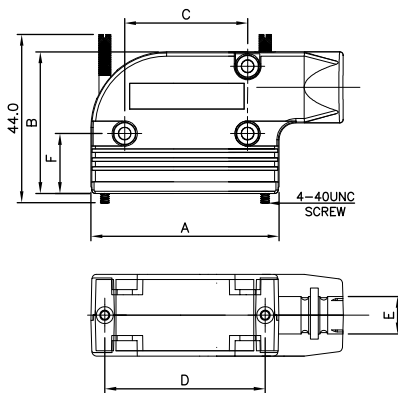
Ordering Information:

M2000 / 1 - MHA
 SERIES NO. _____
 SHELL SIZE _____
 1 - 09/15 PIN
 2 - 15/26 PIN
 3 - 25/44 PIN
 4 - 37/62 PIN
 METAL HOOD (45° ENTRY)

Technical Data:

- Material & Finish:
 - a) Hood Body : Zinc Die Casted With Nickel Plated
 - b) Hardware : Steel With Nickel Plated
 - b) Cable Clamp : Plastic (Black Color)

D-Sub 90 Degree Metal Hood



Dimension Table:

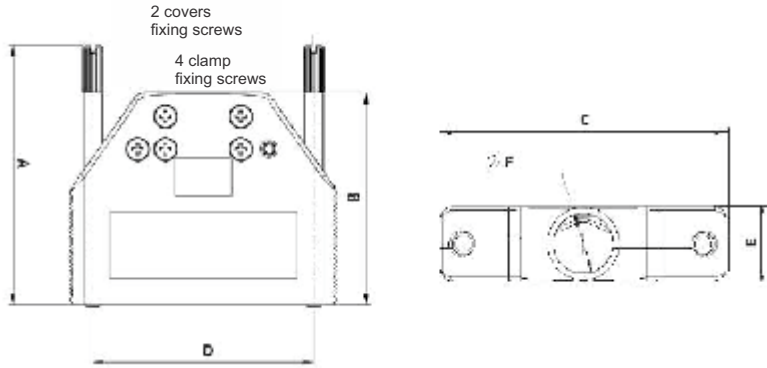
PART NO.	SHELL SIZE	STD NO. OF PIN'S	HDD	'A'	'B'	'C'	'D'	'E'	'F'
M2000/1-MHA90	1	09	15	32.20	33.50	16.66	24.99	12.0	13.50
M2000/2-MHA90	2	15	26	40.00	33.50	25.00	33.32	12.0	13.50
M2000/3-MHA90	3	25	44	54.00	33.50	38.80	47.04	12.0	13.50

Ordering Information:

M2000 / 1 - MH90
 SERIES NO. _____
 SHELL SIZE _____
 1 - 09/15 PIN
 2 - 15/26 PIN
 3 - 25/44 PIN
 METAL HOOD (90° ENTRY)

Technical Data:

- Material & Finish:
 - a) Hood Body : Zinc Die Casted With Nickel Plated
 - b) Hardware : Steel With Nickel Plated
 - b) Cable Clamp : Plastic (Black Color)

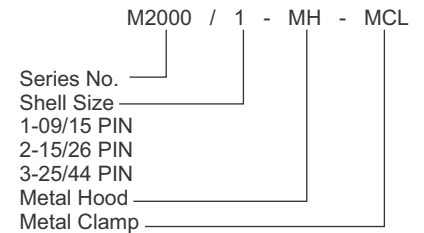


Material: Zinc Alloy
 Plating: Nickel
 Environment : Frequencies Mz > 40dB
 Corrosion Resistance : 50 Hours exposure to salt spray

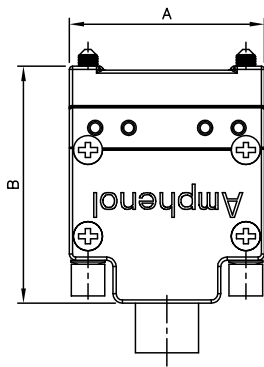
Dimension Table:

SR. NO.	PART NO.	SHELL SIZE	NO. OF PINS DENSITY		'A'	'B'	'C'	'D'	'E'	'F'
			STD.	HIGH						
1	M2000/1-MH-MCL	1	9	15	55.00	45.00	34.40	24.99	14.70	7.85
2	M2000/2-MH-MCL	2	15	26	55.00	45.00	42.70	33.32	14.70	11.80
3	M2000/3-MH-MCL	3	25	44	55.00	45.00	56.70	47.04	14.70	11.80
3	M2000/3-MH-MCL	4	25	44	55.00	45.00	72.95	63.50	14.70	11.80
3	M2000/3-MH-MCL	5	25	44	55.00	45.00	70.60	61.11	14.70	14.10

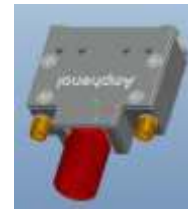
Ordering Information:



D-Sub Hood (Heavy Duty)



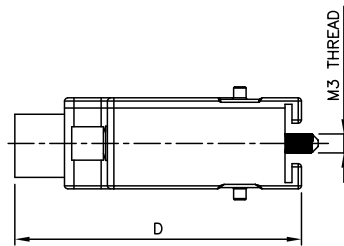
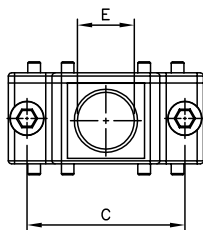
Size:09



Size:15



Size:25



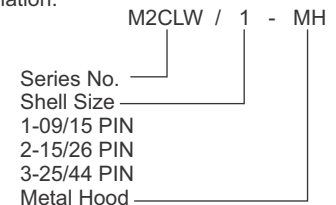
Technical Data:

- Materials:
 - Hood Body & Cover : Zinc Alloy, As Casted Finish
 - Hardware : Stainless Steel, Passivated
 - Clamp : Brass, Tin Plated

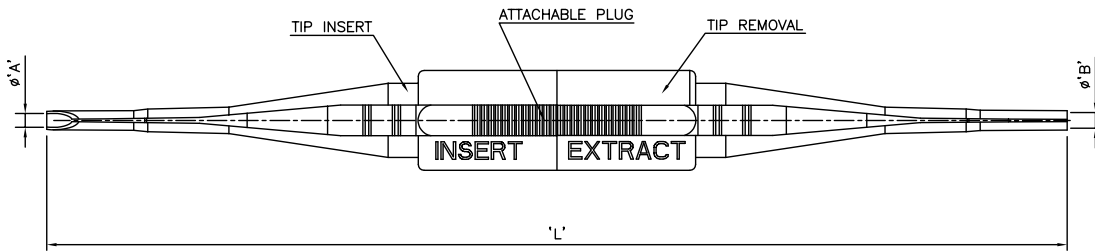
Dimension Table:

SR. NO.	PART NO.	SHELL SIZE	NO. OF PINS DENSITY		'A'	'B'	'C'	'D'	'E'
			STD.	HIGH					
1	M2CLW/1-MH	1	9	15	30.90	37.50	24.99	45.35	9.00
2	M2CLW/2-MH	2	15	26	39.30	37.50	33.30	54.90	10.00
3	M2CLW/3-MH	3	25	44	53.30	42.50	47.04	60.17	12.00

Ordering Information:



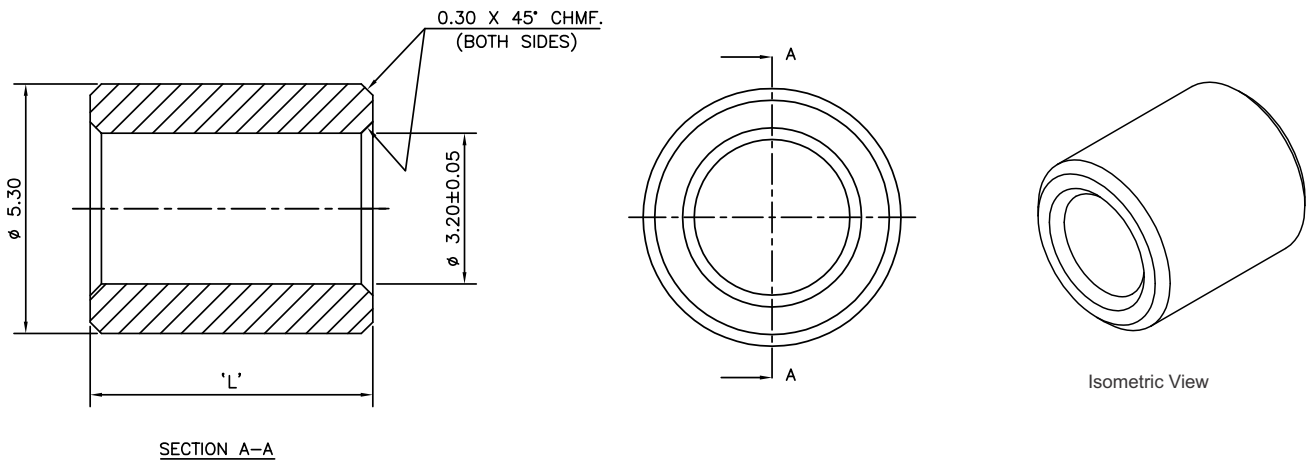
Insertion Removal Tool (20 & 22D Size)



DIMENSION TABLE :-

MIL PART NO.	AIPL PART NO.	CONTACT SIZE	$\phi'A'$ REF.	$\phi'B'$ REF.	'L' REF.	TIP INSERT	TIP REMOVAL	ATTACH. PLUG
M81969/14-01	M2000-105786	22D	1.19	1.24	86.80	GREEN	WHITE	WHITE
M81969/39-01	M2000-107689	20	1.73	1.73	105.16	GREEN	WHITE	WHITE

D-Sub Brass Bush (Spacer)



DIMENSION TABLE :

SR. NO.	PART NO.	'L' (MM)
1	M2000-116298-XXX	6.00
2	M2000-502469-XXX	9.53

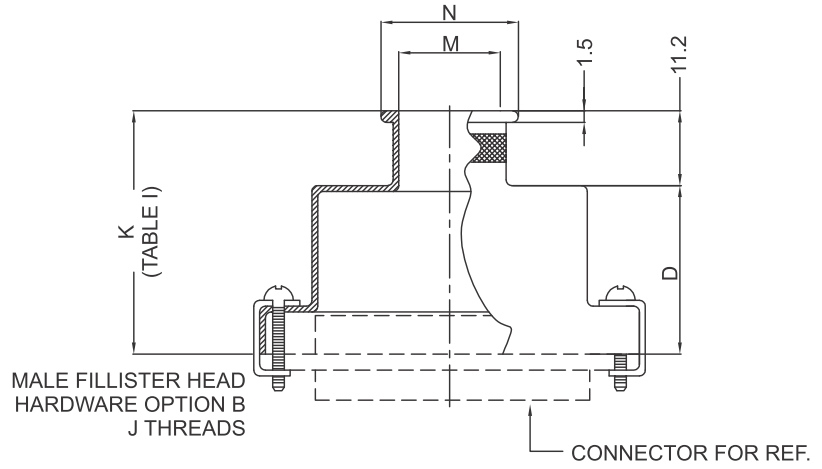
Note:

1. Material : Brass
2. Finish :

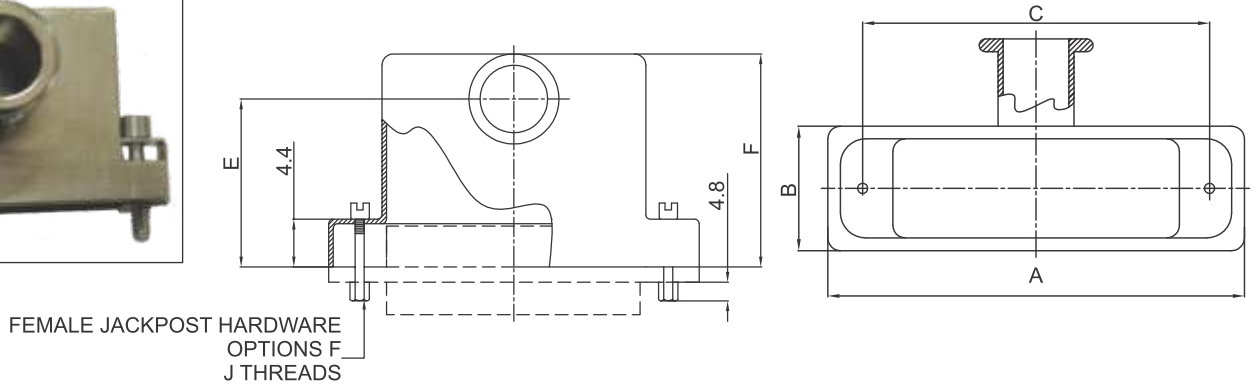
000: Cadmium Yellow Passivation
 Z00 : Zinc Yellow Passivation
 N00 : Nickel Plated

Micro-D

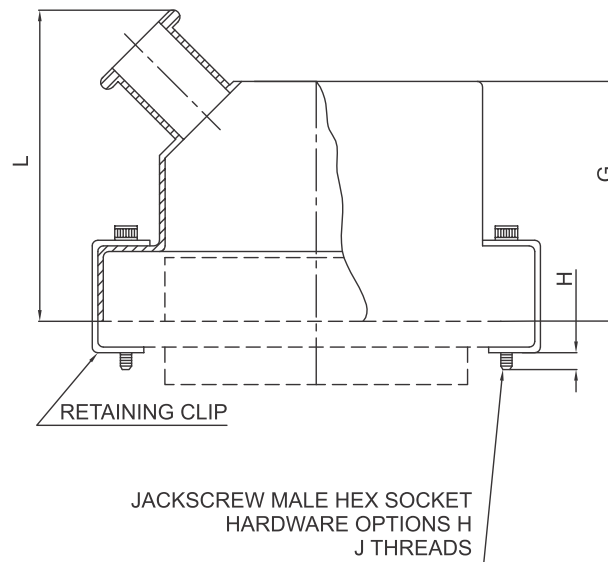
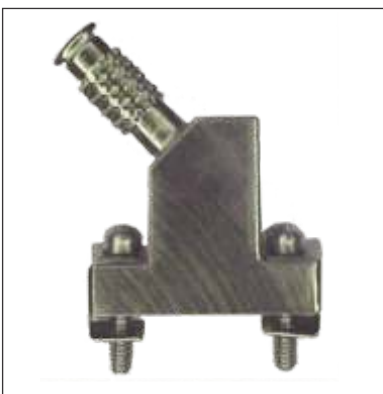
STYLE V - TOP ENTRY



STYLE W - SIDE ENTRY



STYLE X - 45° ENTRY



STYLE Y - DUAL 45° ENTRY

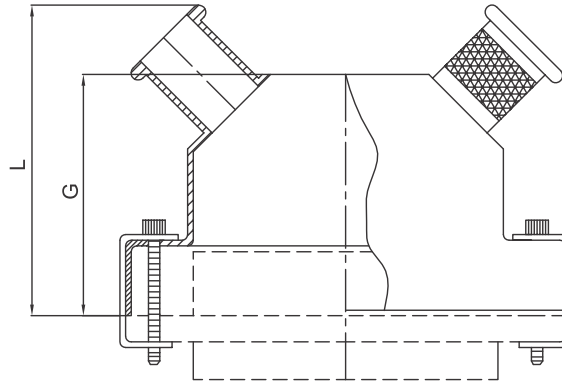


TABLE I

SHELL SIZE	A	B	C	D	E	F	G	H	J	K ±0.8	L MAX
9	19.70	9.10	14.40	8.10	11.00	15.40	16.50	3.90	2-56 UNC-2	19.10	25.40
15	23.50	9.10	18.20	11.20	11.20	16.30	17.80	3.90	2-56 UNC-2	22.40	26.20
21	27.30	9.10	22.00	14.20	11.60	17.20	18.70	3.90	2-56 UNC-2	25.40	26.70
25	29.80	9.10	24.50	15.70	12.30	18.20	20.30	3.90	2-56 UNC-2	26.90	27.70
31	33.70	9.10	28.30	17.30	12.10	18.40	21.80	3.90	2-56 UNC-2	28.40	28.70
37	37.50	9.10	32.10	18.30	12.20	18.90	23.50	3.90	2-56 UNC-2	29.50	31.30
51	36.20	10.20	30.90	19.10	13.90	21.10	24.80	3.90	2-56 UNC-2	30.20	31.80
100	54.90	11.40	45.70	20.60	17.40	25.00	26.70	4.90	4-40 UNC-2	31.80	33.50

TABLE II

CABLE ENTRY	SHELL SIZE	M ENTRY DIA.	N ENTRY DIA.
04	09 THRU 100	3.20	7.10
05	09 THRU 100	4.00	7.90
06	09 THRU 100	4.80	8.70
07	09 THRU 100	5.60	9.50
08	09 THRU 100	6.40	10.30
09	31 THRU 100	7.10	11.10
10	51 THRU 100	7.90	11.90
11	100 ONLY	8.70	12.7
12	100 ONLY	9.50	13.50

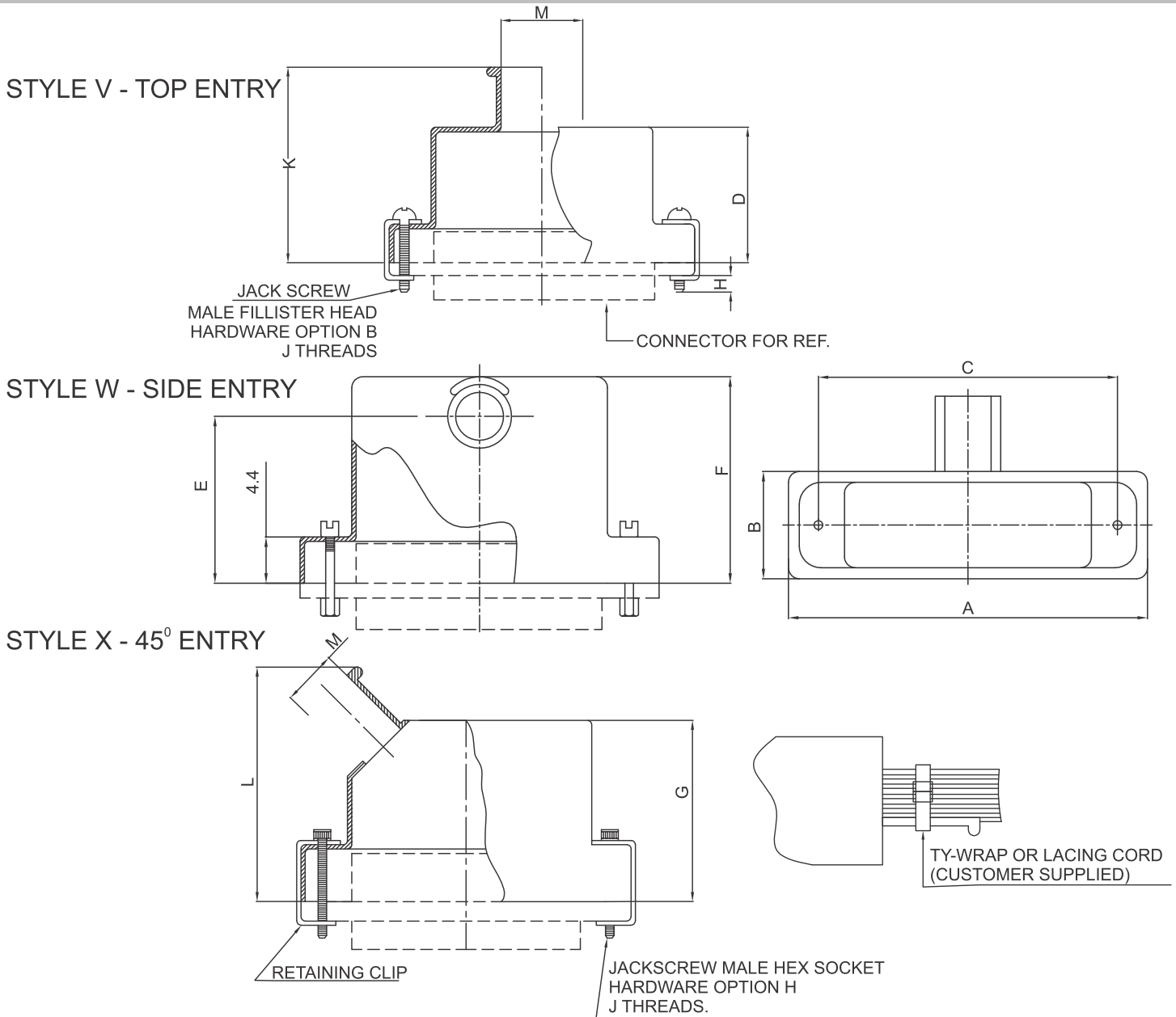
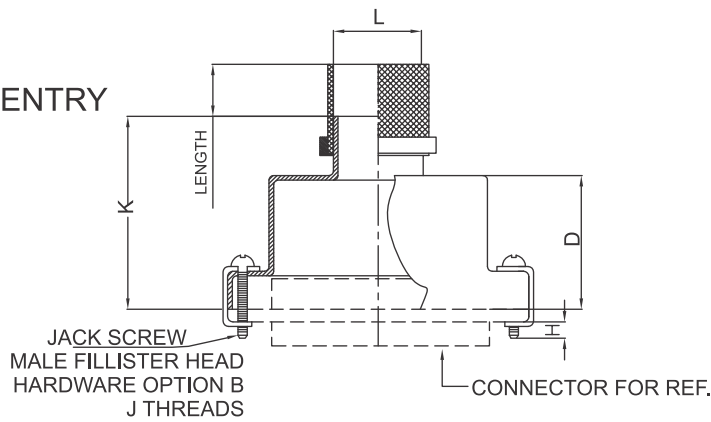


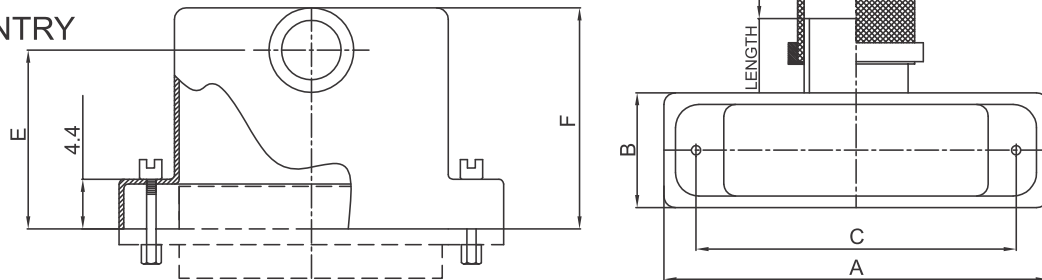
TABLE I

SHELL SIZE	A	B	C	D	E	F	G	H	J	K ±0.8	L MAX	M DIA. ±0.1
9	19.70	9.10	14.40	8.10	15.40	11.00	16.50	3.90	2-56 UNC-2	17.80	22.90	4.00
15	23.50	9.10	18.20	11.20	16.30	11.20	17.80	3.90	2-56 UNC-2	20.80	24.40	4.80
21	27.30	9.10	22.00	14.20	17.20	11.60	18.70	3.90	2-56 UNC-2	23.90	25.10	5.60
25	29.80	9.10	24.50	15.70	18.20	12.30	20.30	3.90	2-56 UNC-2	25.40	26.70	6.40
31	33.70	9.10	28.30	17.30	18.40	12.10	21.80	3.90	2-56 UNC-2	26.90	27.40	6.70
37	37.50	9.10	32.10	18.30	18.90	12.20	23.50	3.90	2-56 UNC-2	27.90	25.90	7.10
51	36.20	10.20	30.90	19.10	21.10	13.90	24.80	3.90	2-56 UNC-2	28.70	30.70	7.90
100	54.90	11.40	45.70	20.60	25.00	17.40	26.70	4.90	4-40 UNC-2	30.20	32.50	9.50

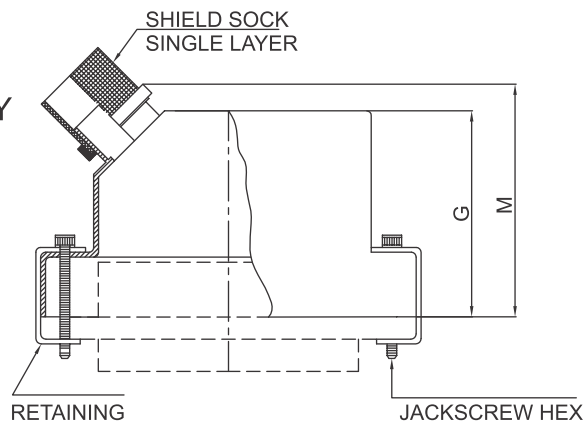
STYLE V - TOP ENTRY



STYLE W - SIDE ENTRY



STYLE X - 45° ENTRY

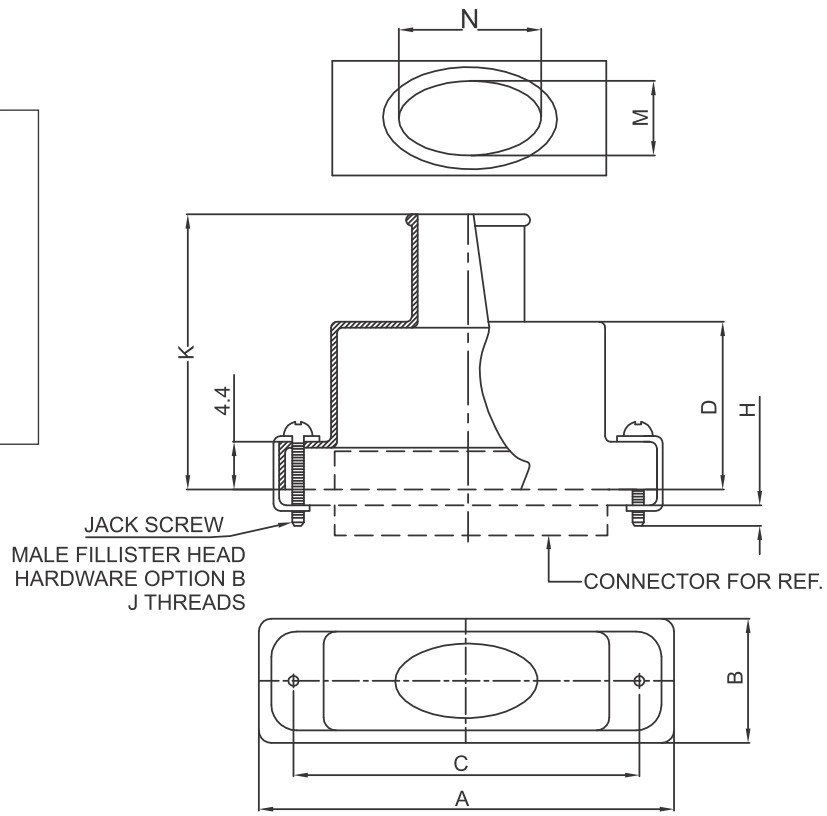


DASH NO.	L ENTRY
4	3.20
5	4.00
6	4.80
7	5.60
8	6.40
9	7.10
10	7.90
11	8.70
12	9.50

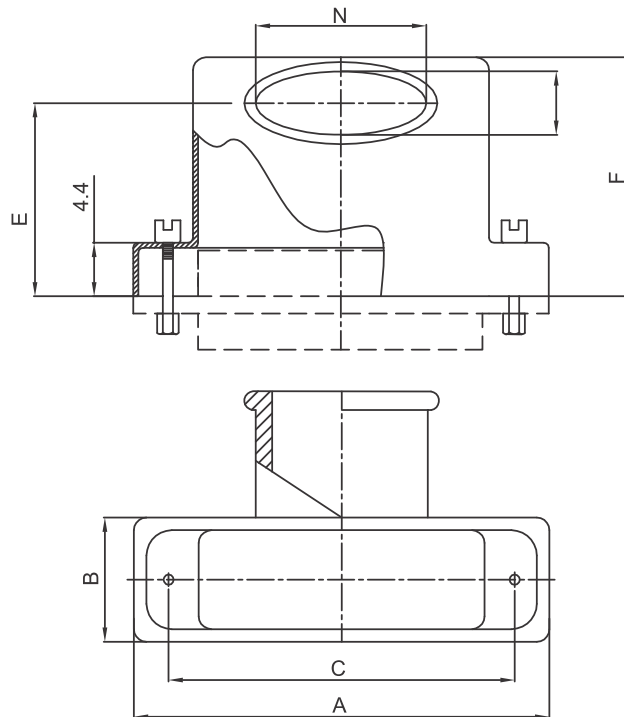
TABLE I

SHELL SIZE	A	B	C	D	E	F	G	H	J	K ±0.8	M MAX	MAX ENTRY TABLE II
9	19.70	9.10	14.40	8.10	11.00	15.40	16.50	3.90	2-56 UNC-2	19.10	25.40	8.00
15	23.50	9.10	18.20	11.20	11.20	16.30	17.80	3.90	2-56 UNC-2	22.40	26.20	8.00
21	27.30	9.10	22.00	14.20	11.60	17.20	18.70	3.90	2-56 UNC-2	25.40	26.70	8.00
25	29.80	9.10	24.50	15.70	12.30	18.20	20.30	3.90	2-56 UNC-2	26.90	27.70	8.00
31	33.70	9.10	28.30	17.30	12.10	18.40	21.80	3.90	2-56 UNC-2	28.40	28.70	9.00
37	37.50	9.10	32.10	18.30	12.20	18.90	23.50	3.90	2-56 UNC-2	29.50	29.50	9.00
51	36.20	10.20	30.90	19.10	13.90	21.10	24.80	3.90	2-56 UNC-2	30.20	30.20	10.00
100	54.90	11.40	45.70	20.60	17.40	25.00	26.70	4.90	4-40 UNC-2	31.80	31.80	12.00

STYLE V - TOP ENTRY



STYLE W - SIDE ENTRY



STYLE X - 45° ENTRY

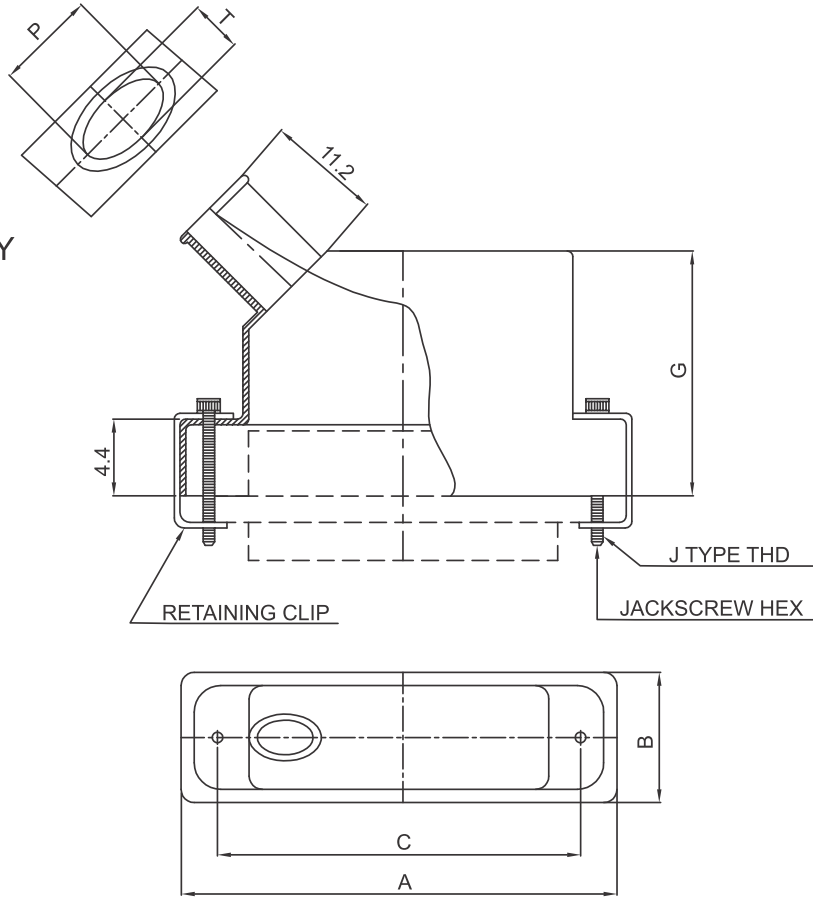
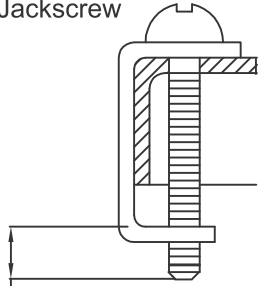


TABLE I

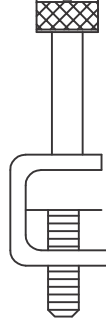
SHELL SIZE	A	B	C	D	E	F	G	P	T	H REF.	J	K ±0.8	M	N
9	19.70	8.60	14.40	8.10	11.00	15.40	21.30	8.10	4.00	3.90	2-56 UNC-2	19.10	7.10	7.90
15	23.50	8.60	18.20	11.20	11.20	16.30	22.60	9.80	4.80	3.90	2-56 UNC-2	22.40	7.10	10.70
21	27.30	8.60	22.00	14.20	11.40	17.20	23.60	11.40	5.60	3.90	2-56 UNC-2	25.40	7.10	15.00
25	29.80	8.60	24.50	15.70	12.30	18.20	24.90	12.90	6.40	3.90	2-56 UNC-2	26.90	7.10	17.50
31	33.70	8.60	28.30	17.30	12.10	18.40	25.40	13.80	6.70	3.90	2-56 UNC-2	28.40	7.10	20.80
37	37.50	8.60	32.10	18.30	12.10	18.90	25.90	14.20	7.10	3.90	2-56 UNC-2	29.50	7.10	24.60
51	36.20	9.70	30.90	19.10	13.70	21.10	27.20	16.20	7.90	3.90	2-56 UNC-2	30.20	7.90	23.40
100	54.90	10.90	45.70	20.60	17.40	25.00	29.50	19.50	9.50	4.90	4-40 UNC-2	31.80	9.10	32.80

Style "B"
Fillister Head
Male Jackscrew



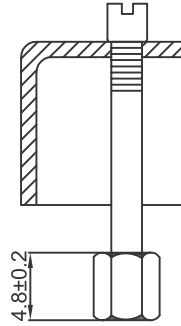
Sizes 9-51 -3.9
Size 100-4.9

Style "E"
Extended Jackscrew

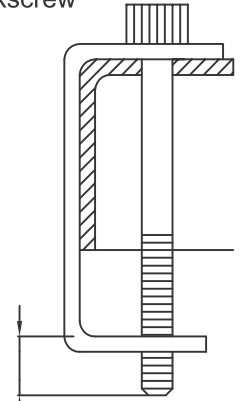


Not available with 45°
Entry Backshell

Style "F"
Female Jackpost



Style "H"
Hex (Allen) Head
Jackscrew



SIZES 9-51 - 3.9
SIZE 100 - 4.9

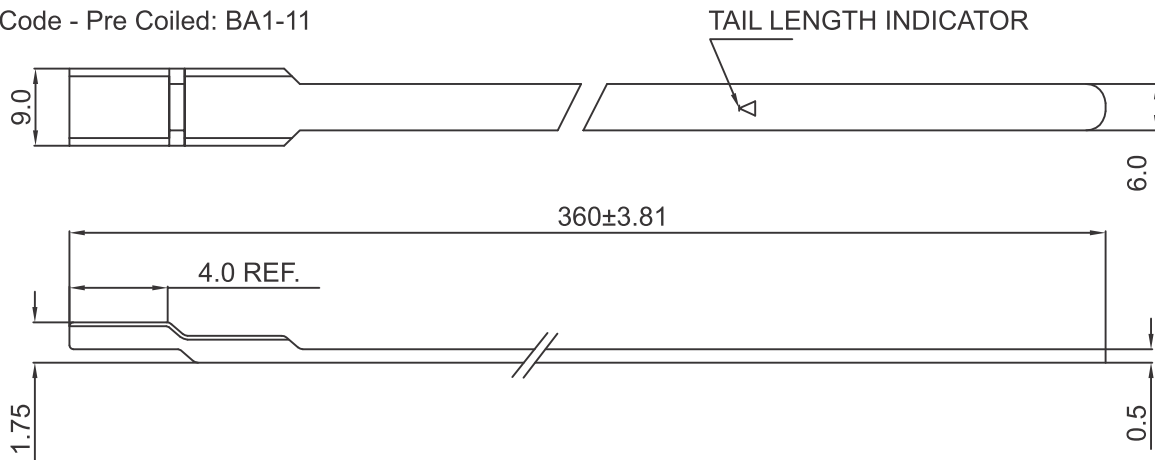
NOTES:-

FB:- (1) Female Jackpost & (1) Male Jackpost
FH:- (1) Female Jackpost & (1) Male Hex Socket

BAND OPTION: B

STANDARD BAND (600-052)

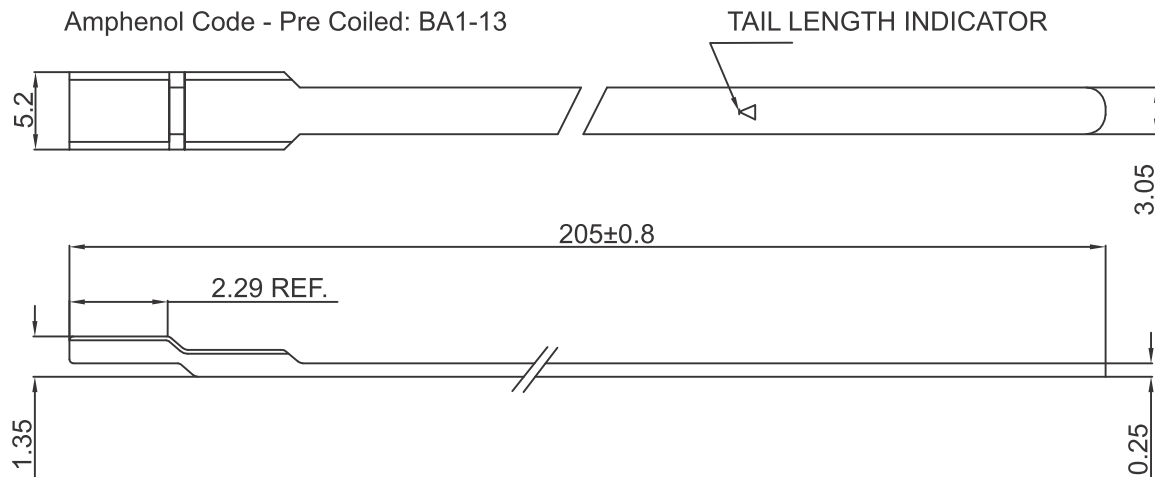
Amphenol Code - Pre Coiled: BA1-11

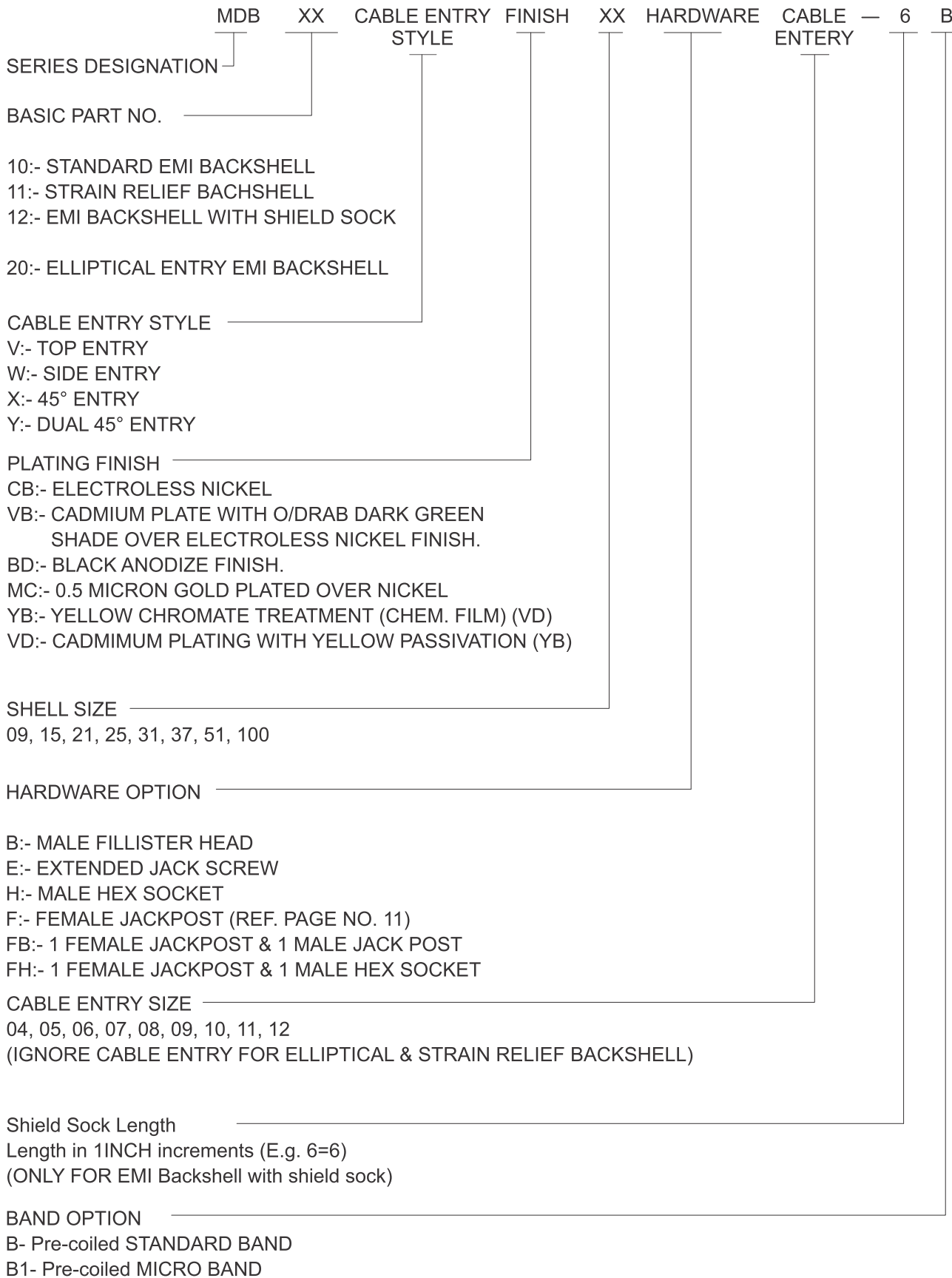


BAND OPTION: B1

MICRO-BAND (600-057)

Amphenol Code - Pre Coiled: BA1-13





Amphenol

A Global Company



Pune Operations



Bangalore Operations

Amphenol

Interconnect India Pvt. Ltd.

Manufacturing Locations

Corporate Office & Pune Factory

105, Bhosari Industrial Area, Pune - 411 026.
Tel.: 91-20-6736 0302
Fax : 91-20-6736 0321
Email: rjohn@amphenol-in.com

Exports

Tel.: 91-20-6736 0305, 6736 0353
Email : svpatil@amphenol-in.com

Bangalore Factory

61, Keonics Electronic City, Hosur Road,
Bangalore - 560 102.
Tel.: 91-6679 0900 /910 /937
Email : shrikantgramopadhye@amphenol-in.com

Marketing Locations

Marketing Headquarters

Tel.: 91-20-6736 0303, 6736 0304
Fax : 91-20-6736 0321
Email : vbhavsar@amphenol-in.com
Email : sales@amphenol-in.com

Western Region

Tel.: 91-20-6736 0334
Email : sunilp@amphenol-in.com

Northern & Eastern Region

A-421, Pacific Business Park,
Plot No. 37/1, Sahibabad Indst. Area
Site IV, Ghaziabad (UP) - 201 010.
Tel.: 91-120- 6513 781 /82 /83 /84
Email : sunily@amphenol-in.com

Southern Region

No. 1115, 22nd Main Road, 11th Cross,
Sector -1, HSR Layout, Bangalore - 560 102.
Tel.: 91-80-4953 0341, 4953 0345
Fax: 91-80-4953 8697
Email : kmanoj@amphenol-in.com

Central Region

107, 1st Floor, 'Am Sri Classic',
Sarojinidevi Road, Secunderabad - 500 003.
Telefax : 91-40-6633 2906
Email : pprasad@amphenol-in.com