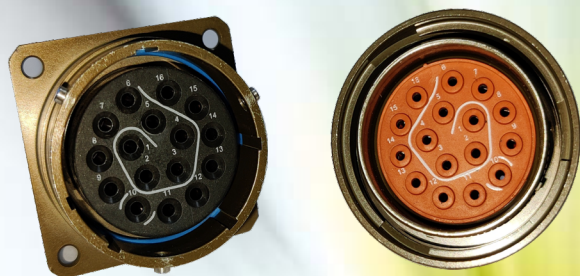


Amphenol

MIL-DTL-83723 Series III
02 Rev. 04 / 23



MIL-DTL-83723 SERIES III



Amphenol

TABLE OF CONTENTS	Page
MIL-DTL-83723, Series III	
• Wide Variety of Coupling Styles & Options	1
• Class Descriptions, Performance Specifications, Quick Reference Chart	2
• Insert Availability and Identification, Alternate Keying Positions, Alternate Rotations	3
• Insert Arrangement Drawings	4
Bayonet Shell Styles	
How To Order (Military & Commercial)	6
• Wall Mounting Receptacle JM83723/71 & /72 (IMB30), Jam Nut Receptacle JM83723/73 & /74 (IMB34)	7
• Straight Plug JM83723/75 & /76 (IMB36), Straight Plug With RFI Grounding Fingers JM83723/77 & /78 (IMB38)	8
Threaded Shell Styles	
How To Order (Military & Commercial)	9
• Wall Mounting Receptacle JM83723/82 & /83 (IMT30) Jam Nut Receptacle JM83723/84 & /85 (IMT34)	10
• Straight Plug JM83723/86 & /87 (IMT36) Straight Plug With RFI Grounding Fingers JM83723/91 & /92 (IMT38)	11
• Straight Plug (Self-locking) JM83723/95 & /96 (IMT37) M83723/97 & 98 (IMT40)	12
Quick-Disconnect Shell Styles	
How To Order (Military & Commercial)	13
• Quick-Disconnect Plug JM83723/66 & /67 (IMQ36)	14
• Quick-Disconnect Plug with Lanyard JM83723/68 & /69 (IMQ35/IMQ38), Receptacle Adapter For Quick Disconnect Plug	
Contact, Sealing, Plug's, Crimping & Insertion Removal Tools	
	15
Protective Covers	
• How To Order (Military & Commercial)	16
• Protective Cover Receptacle Threaded JM83723/60-1 (IMT60-1) Protective Cover For Plug Threaded JM83723/59-1 (IMT59-1)	17
• Protective Cover For Plug Bayonet JM83723/59-2 (IMB59-2) Protective Cover For Receptacle Bayonet JM83723/60-2 (IMB60-2)	18
SERIES HERMETIC	
	19-27

With a Wide Variety of Coupling Styles & Options Amphenol India offers Product line of MIL-DTL-83723 Series III Connectors.

MIL-DTL-83723, SERIES III CONNECTORS WITH BAYONET COUPLING



JM83723/71 & 72
wall mounting
receptacle



JM83723/73 & 74
jam nut
receptacle



JM83723/75 & 76
straight plug



JM83723/77 & 78
straight plug,
RFI grounding

- Quick positive coupling assured by 3 point bayonet coupling system; visual confirmation of complete coupling
- Five key/keyway design eliminates mismatching
- Shell sizes 8 – 24
- Intermateable with most MIL-DTL-26500 bayonet coupling connectors

MIL-DTL-83723, SERIES III CONNECTORS WITH THREADED COUPLING



JM83723/82 & 83
wall mounting
receptacle



JM83723/84 & 85
jam nut
receptacle



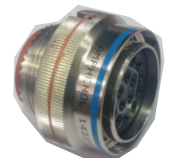
JM83723/86 & 87
straight plug



JM83723/91 & 92
straight plug,
RFI grounding



JM83723/95 & 96
straight plug,
self-locking



JM83723/97 & 98
straight plug,
self-locking

- Threaded coupling offers greater resistance to decoupling with a visual full mating indicator band on the shell
- Shell sizes 8 – 28
- Intermateable with most MIL-DTL-26500 threaded coupling connectors

This series provides many choices within the range of a medium sized, environmentally resistant circular connector. With three coupling style choices - bayonet, threaded and quick-disconnect - the versatility of this family makes it increasingly popular for panel mount, box mount and line-to-line applications in aircraft. For general duty environmentally resistant requirements, this family of connectors provides a wide range of interconnection solutions.

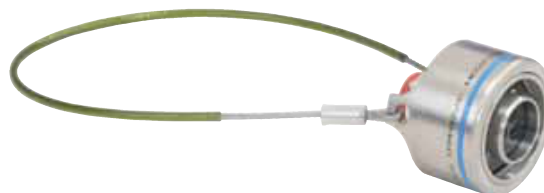
DESIGN CHARACTERISTICS

- Recommended operating voltage to 600 VAC (RMS) at sea level
- Complete environmental sealing includes individual contact seals and a silicone elastomer interfacial seal with raised barriers around each pin, a shell-to-shell seal and an insert-to-shell seal. Sealing over a wide range of wire diameters is assured by a triple-webbed grommet design
- Captive coupling nut prevents tampering, while a reduced coupling ring ramp allows easier mating
- Incorporates crimp rear release contacts in sizes 12, 16 and 20 contact arrangements accept 2 to 61 circuits
- Contacts conform to SAE As39029** and use standard qualified rear-release type plastic tools
- Insertion and removal of contacts from the rear of the connector assures no damage to the front that might affect the sealing characteristics
- Grommets are constructed of tear-resistant elastomer and experience no degradation when exposed to a broad range of fluids
- Closed entry socket side of the insert is designed with a lead-in chamfer and a hard face that will accept a pin contact bent within pre-established limits
- MS and Commercial versions available
- Alternate positioning available
- Aluminum shells with black anodized, cadmium, electroless nickel and zinc nickel black finish options passivated stainless steel shells are also available

MIL-DTL-83723, SERIES III CONNECTORS WITH QUICK DISCONNECT COUPLING

Push-Pull, quick disconnect coupling is available in a straight plug that can be ordered with or without a lanyard release mechanism.

JM83723/66 & 67 quick disconnect plug
JM83723/68 & 69 quick disconnect plug with lanyard



Class Descriptions, Performance Specifications

CLASS DESCRIPTIONS

Military MIL-DTL-83723, Series III	Amphenol Commercial IMB Series	Connector Style	Description
Class A	Class A	Bayonet, Threaded or Quick-Disconnect	Aluminum shell, black non-conductive anodize finish, fluid resistant
Class R	Class R	Bayonet, Threaded or Quick-Disconnect	Aluminum shell, electroless nickel finish, fluid resistant
Class G	Class G	Bayonet, Threaded or Quick-Disconnect	Stainless steel shell, passivated, fluid resistant
Class W	Class W	Bayonet, Threaded or Quick-Disconnect	Aluminum shell, cadmium olive drab finish, corrosion/ fluid resistant
Class Z	Class Z	Bayonet or Threaded	Aluminum Shell, Black Zinc Nickel finish, Fluid resistant insert
Class K	Class K	Bayonet or Threaded	Stainless Steel Shell, Passivated, fluid resistant insert & fire wall
Class S	Class S	Threaded	Stainless Steel Shell, Passivated, fluid resistant insert fire wall, RFI grounding, self locking
Class N	Class N	Threaded	Stainless Steel Shell, Electroless Nickel finish, fluid resistant insert & fire wall RFI grounding, self locking

PERFORMANCE SPECIFICATIONS SERVICE RATINGS

Service Rating	Recommended Operating AC Voltage at Sea Level	Test Voltage AC (RMS), 60 cps			
		Sea Level	50,000 ft.	70,000 ft.	110,000 ft.
I	600	1,500	500	375	200

OPERATING TEMPERATURE RANGE

Classes A, G, K, S, N and R: -65°C (-85°F) to 200°C (392°F)
Class W, Z: -65°C to 175°C

ENVIRONMENTAL SEAL

Wired, mated connectors with the specified accessory attached will meet the altitude immersion test specified in MIL-DTL-83723.

DURABILITY

Minimum of 500 mating cycles.

SHOCK AND VIBRATION REQUIREMENTS

Wired, mated connectors shall not be damaged, nor shall there be a current interruption longer than one microsecond when subjected to the following:

SHOCK: One shock in each of the three major axes, having a 100g peak for a six millisecond duration (half-sine pulse).

VIBRATION: Twelve hours of random vibration having a range of 10 to 2,000 Hz with a .06 inch double amplitude (10-55 Hz) and a 20g peak level (55-2,000 Hz).

Quick Reference Chart

The following is a quick reference chart for use in determining either the military designation or the commercial Amphenol designation number of MIL-DTL-83723 connectors. See also the how to order pages for complete part number breakdowns.

Connector Style	MIL-DTL-83723 Designation	Amphenol Commercial Designation	Contact Type
BAYONET COUPLING			
Square flange wall mount receptacle	JM83723/71	IMB30()S	Socket
Square flange wall mount receptacle	JM83723/72	IMB30()P	Pin
Single hole mount jam nut receptacle	JM83723/73	IMB34()S	Socket
Single hole mount jam nut receptacle	JM83723/74	IMB34()P	Pin
Standard straight plug	JM83723/75	IMB36()S	Socket
Standard straight plug	JM83723/76	IMB36()P	Pin
Straight plug with RFI grounding fingers	JM83723/77	IMB38()S	Socket
Straight plug with RFI grounding fingers	JM83723/78	IMB38()P	Pin
THREADED COUPLING			
Square flange wall mount receptacle	JM83723/82	IMT30()S	Socket
Square flange wall mount receptacle	JM83723/83	IMT30()P	Pin
Single hole mount jam nut receptacle	JM83723/84	IMT34()S	Socket
Single hole mount jam nut receptacle	JM83723/85	IMT34()P	Pin
Standard straight plug	JM83723/86	IMT36()S	Socket
Standard straight plug	JM83723/87	IMT36()P	Pin
Straight plug with RFI grounding fingers	JM83723/91	IMT38()S	Socket
Straight plug with RFI grounding fingers	JM83723/92	IMT38()P	Pin
Straight plug with self-locking clutch plate	JM83723/95	IMT37()S	Socket
Straight plug with self-locking clutch plate	JM83723/96	IMT37()P	Pin
Straight plug with self-locking clutch plate	JM83723/97	IMT40()S	Socket
Straight plug with self-locking clutch plate	JM83723/98	IMT40()SP	Pin
QUICK-DISCONNECT PUSH-PULL COUPLING			
Straight plug without lanyard	JM83723/66	IMQ36()P	Pin
Straight plug without lanyard	JM83723/67	IMQ36()S	Socket
Straight plug with lanyard	JM83723/68	IMQ35()P	Pin
Straight plug with lanyard	JM83723/69	IMQ35()S	Socket

Insert Availability and Identification, Alternate Keying Positions, Alternate Rotations

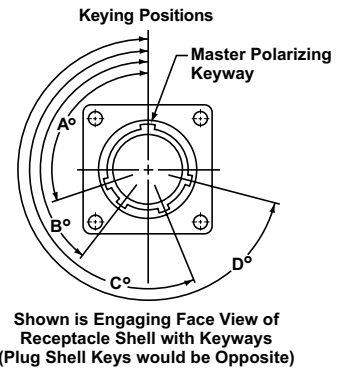
INSERT ARRANGEMENTS

Shell Size/ Insert Arrangement	Service Rating	Total Contacts	Contact Size		
			12	16	20
0803	I	3			3
0898	I	3			3
1002	I	2			2
1005	I	5			5
1006	I	6			6
1020	I	2		2	
1203	I	3		3	
1212	I	12			12
1404	I	4	4		
1407	I	7		7	
1412	I	12		3	9
1415	I	15			15
1610	I	10		10	
1624	I	24			24
1808	I	8	8		
1814	I	14		14	
1831	I	31			31
2016	I	16		16	
2025	I	25	6		19
2028	I	28	4		24
2039	I	39		2	37
2041	I	41			41
2212	I	12	12		
2219	I	19		19	
2232	I	32	6		26
2239*	I	39		12	27
2255	I	55			55
2429†		29		29	
2430†		30		30	
2443	I	43		20	23
2457	I	57	2		55
2461	I	61			61
2841†		41		41	
2842†		42		42	

† Not an MS layout.
Connectors with these insert arrangements should be ordered by commercial part number only.
Shell size 28 is available in threaded coupling connectors only.
* Consult Amphenol India for availability of arrangement 22-39.

ALTERNATE KEYING POSITIONS (Rotation of key/keyway of shell)

To avoid cross-plugging problems in applications requiring the use of more than one connector of the same size and arrangement, alternate keying positions are available as indicated in the chart below. The diagram shows the engaging view of a receptacle shell with keyways. Plug shells would be the opposite of this diagram. In the "alternate keying positions" (positions 6, 7, 8, 9 and Y), the minor keys/keyways are positioned with reference to master key/keyway as indicated in the keying position table.



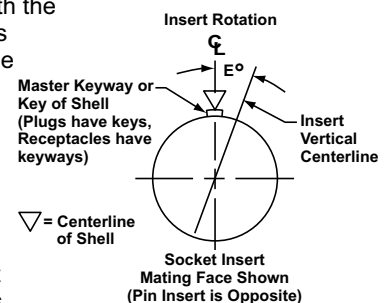
ALTERNATE KEYING POSITIONS OF SHELL

Shell Size	Polarizing Position	Key/Keyway Positions			
		A°	B°	C°	D°
8 thru 24	N	105	140	215	265
8 & 10	6	102	132	248	320
	7	80	118	230	312
	8	35	140	205	275
	9	64	155	234	304
10 only	Y*	25	115	220	270
12, 14, 16, 18, 20, 22, 24 and 28	6	18	149	192	259
	7	92	152	222	342
	8	84	152	204	334
	9	24	135	199	240
	Y*	98	152	268	338

* Position Y supersedes inactive positions 10 and Z designations. Ref. MIL-STD-1554.

ALTERNATE ROTATIONS (Rotation of insert)

Alternate positioning is also available with the rotation of the insert. The diagram shows the pin insert mating face. The center-line of the shell in the normal insert position (position N) coincides with the center-line of the master key/keyway in the shell. In alternate rotations, (positions 1, 2, 3, 4 and 5), the insert rotates relative to the center-line of the key/keyway of the shell. See E° call out on diagram and the table. The socket insert is rotated clockwise, and the pin insert is rotated counter-clockwise



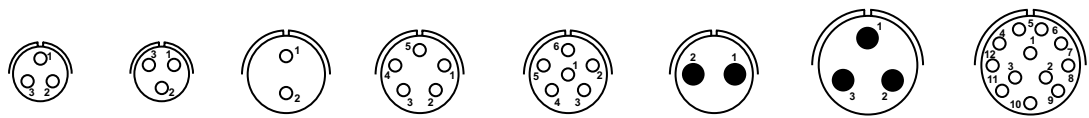
ALTERNATE ROTATIONS OF INSERT

Shell Size	Polarizing Position	Insert Position E°
8 & 10	N	0
	1	10
	2	20
	3	30
	4	40
	5	50
12, 14, 16, 18, 20, 22, 24 and 28	N	0
	1	10
	2	20
	3	30
	4	40
	5	50

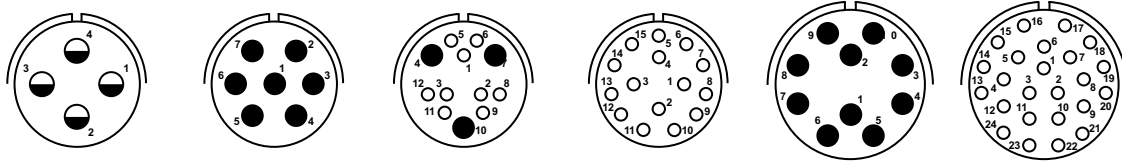
Note: Positions 1-5 are inactive for new designs per MIL-STD-1554.

Insert Arrangements

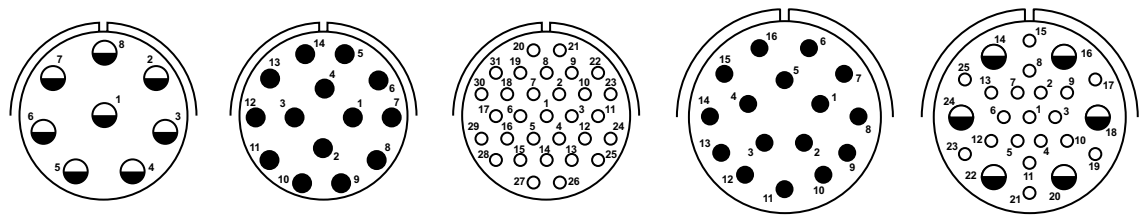
Front Face of Pin Insert or Rear Face of Socket Insert Illustrated



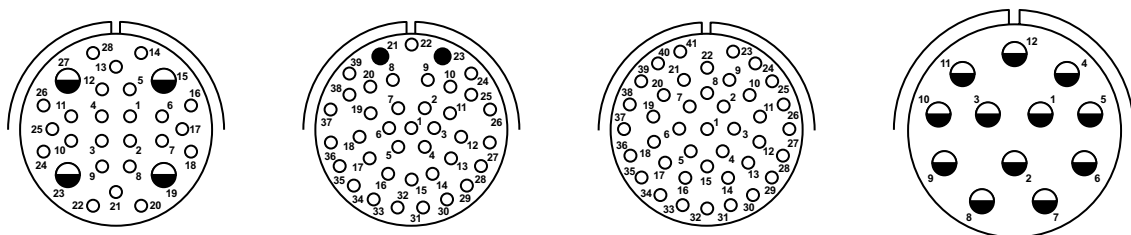
Insert Arrangement	0803	0898	1002	1005	1006	1020	1203	1212
Service Rating	I	I	I	I	I	I	I	I
Number of Contacts	3	3	2	5	6	2	3	12
Contact Size	20	20	20	20	20	16	16	20



Insert Arrangement	1404	1407	1412	1415	1610	1624
Service Rating	I	I	I	I	I	I
Number of Contacts	4	7	9	3	15	24
Contact Size	12	16	20	16	20	20



Insert Arrangement	1808	1814	1831	2016	2025	
Service Rating	I	I	I	I	I	
Number of Contacts	8	14	31	16	19	6
Contact Size	12	16	20	16	20	12



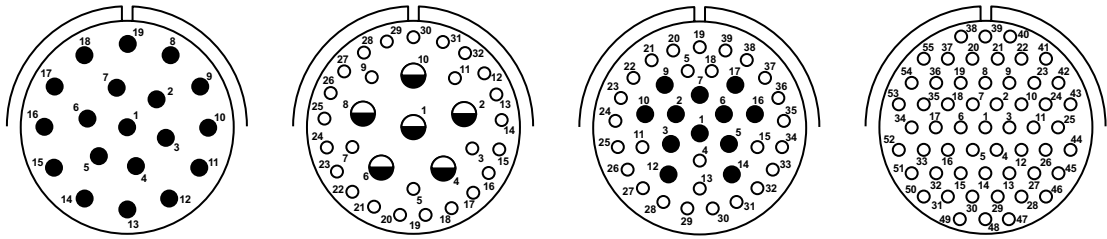
Insert Arrangement	2028		2039		2041	2212
Service Rating	I	I	I	I	I	I
Number of Contacts	24	4	37	2	41	12
Contact Size	20	12	20	16	20	12

NOTE: Connectors sold as mil-spec connectors will have mil-spec markings on the insert (a "snail-trail" designating the numerical path). Commercial versions will have insert markings as shown here.

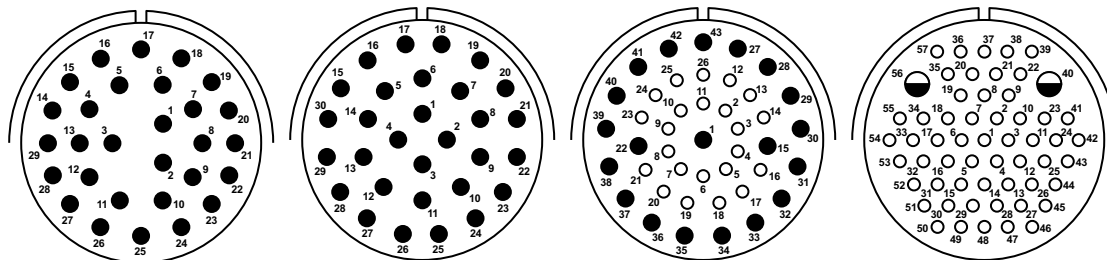
CONTACT LEGEND	○	●	◐
	20	16	12

Insert Arrangements

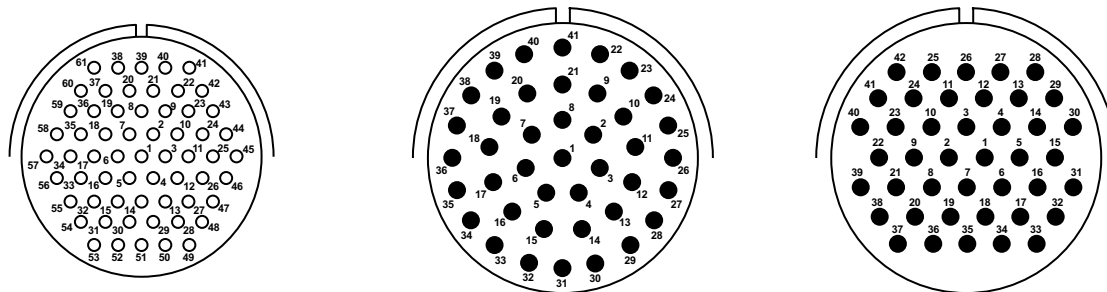
Front Face of Pin Insert or Rear Face of Socket Insert Illustrated



Insert Arrangement	2219	2232	2239	2255
Service Rating	I	I	I	I
Number of Contacts	19	26	27	55
Contact Size	16	20	20	20



Insert Arrangement	2429†	2430†	2443	2457
Service Rating			I	I
Number of Contacts	29	30	23	55
Contact Size	16	16	20	20



Insert Arrangement	2461	2841†	2842†
Service Rating	I		
Number of Contacts	61	41	42
Contact Size	20	16	16

†Not a MS layout.
 Connectors with these insert arrangements can be ordered by commercial part number only.
 Shell size 28 is available in threaded coupling connectors only.
 * Consult Amphenol India for availability of arrangement 22-39.

NOTE: Connectors sold as mil-spec connectors will have mil-spec markings on the insert (a "snail-trail" designating the numerical path).
 Commercial versions will have insert markings as shown here.

CONTACT LEGEND	○	●	◐
	20	16	12

How to Order – Bayonet Coupling Connectors

Connector Type	1. Connector Type	2. Connector Style (Bayonet) and Contact Type	3. Service Class	4. Shell Size/ Insert Arrangement	5. Alternate Keying Position of Shell or Alternate Rotation of Insert
MILITARY	JM83723	/74	R	1203	7

Connector Type	1. Connector Type (Bayonet)	2. Connector Type	3. Service Class	4. Shell Size/ Insert Arrangement	5. Contact Type	6. Alternate Keying Position of Shell or Alternate Rotation of Insert	7. Modification Number
COMMERCIAL	IMB	34	R	1203	P	7	XXX

Step 1. Military Connector Type

JM83723	Designates MIL-DTL-83723 Series III Connectors
----------------	--

Step 1. Commercial Connector Type

IMB	Designates Amphenol Bayonet Coupling Connectors
------------	---

Step 2. Select a Connector Style

(Refer to military specification slash sheet number.) Bayonet coupling connectors are designated by numbers /71 -/78 as follows:

	Designates
/71	Wall Mount Receptacle with Socket Contacts
/72	Wall Mount Receptacle with Pin Contacts
/73	Jam Nut Receptacle with Socket Contacts
/74	Jam Nut Receptacle with Pin Contacts
/75	Standard Straight Plug with Socket Contacts
/76	Standard Straight Plug with Pin Contacts
/77	Straight Plug with RFI grounding, Socket Contacts
/78	Straight Plug with RFI grounding, Pin Contacts

Step 2. Select a Connector Style

	Designates
30	Wall Mount Receptacle
34	Jam Mount Receptacle
36	Standard Straight Plug
38	Straight Plug with RFI grounding fingers

Step 3. Select a Service Class

	Designates
A	Aluminum shell, black non-conductive anodize finish, fluid resistant insert
R	Aluminum shell, electroless nickel finish, fluid resistant insert
G	Stainless steel shell, passivated, fluid resistant insert
W	Aluminum shell, olive drab cadmium plated, fluid resistant insert
Z	Aluminium Shell, Black Zinc Nickel finish, fluid resistant insert
K	Stainless Steel Shell, Passivated, fluid resistant insert & fire wall

Step 3. Select a Service Class

	Designates
A	Aluminum shell, black non-conductive anodize finish, fluid resistant insert
R	Aluminum shell, electroless nickel finish, fluid resistant insert
G	Stainless steel shell, passivated, fluid resistant insert
W	Aluminum shell, olive drab cadmium plated, fluid resistant insert
Z	Aluminium Shell, Black Zinc Nickel finish, fluid resistant insert
K	Stainless Steel Shell, Passivated, fluid resistant insert & fire wall

Step 4. Select a Shell Size & Insert Arrangement from chart

First number represents Shell Size, second number is the Insert Arrangement.

Step 4. Select a Shell Size & Insert Arrangement from chart

First number represents Shell Size, second number is the Insert Arrangement.

Step 5. Select an Alternate Keying Position-Rotation of master key/keyway of shell.

Use N for normal. Use 6, 7, 8, 9 or Y for alternate keying positions.

Step 5. Select a Contact Type

	Designates
P	Pin Contacts
S	Socket Contacts

or Step 5. Select an Alternate Rotation of Insert.

Use N for normal. Use 1, 2, 3, 4, or 5 for alternate rotation of insert.

Step 6. Select an Alternate Keying Position-

Rotation of master key/keyway of shell.

Use 6, 7, 8, 9 or Y for alternate keying positions. No letter required for normal (No rotation position).

or Step 6. Select an Alternate Rotation of Insert.

Use 1, 2, 3, 4, or 5 for alternate rotation of insert. No letter required for normal (No rotation position).

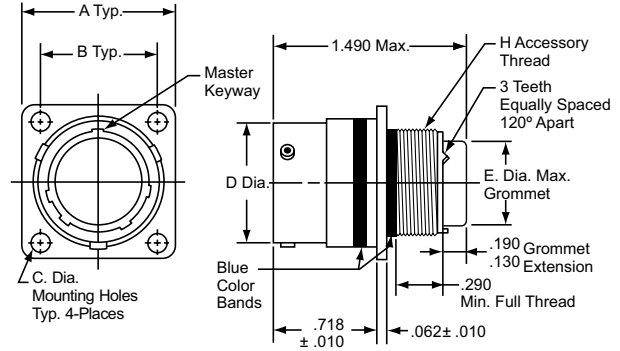
or Step 7. Modification Number

Consult Amphenol India for information.

Wall Mounting Receptacle with Bayonet Coupling

How to order

Connector Type	Connector Style (Bayonet) and Contact Type	Service Class	Shell Size & Insert Arrg	Alt. Keying Position or Alt. Rotation	Modification Number
Military	JM83723 /71 (with socket contacts)	X	X-X	X	
Military	JM83723 /72 (with pin contacts)	X	X-X	X	
Commercial	IMB 30	X	X-X	X	XXX



Shell Size	A ±.005	B ±.005	C Dia. ±.005	D Dia.	E Dia.	H Accessory Thread Class 2A
8	.812	.594	.120	.536/.531	.305	.5000-20 UNF
10	.937	.719	.120	.659/.654	.405	.6250-24 UNEF
12	1.031	.812	.120	.829/.824	.531	.7500-20 UNEF
14	1.125	.906	.120	.898/.893	.665	.8750-20 UNEF
16	1.250	.969	.120	1.025/1.020	.790	1.0000-20 UNEF
18	1.343	1.062	.120	1.131/1.126	.869	1.0625-18 UNEF
20	1.437	1.156	.120	1.256/1.251	.994	1.1875-18 UNEF
22	1.562	1.250	.120	1.381/1.376	1.119	1.3125-18 UNEF
24	1.703	1.375	.149	1.506/1.501	1.244	1.4375-18 UNEF

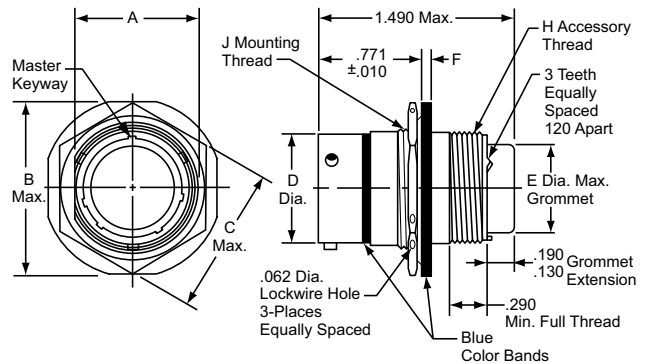
All dimensions are in (inches)

M83723/73 & /74 – MIL-DTL-83723, Series III

Jam Nut Receptacle with Bayonet Coupling

How to order

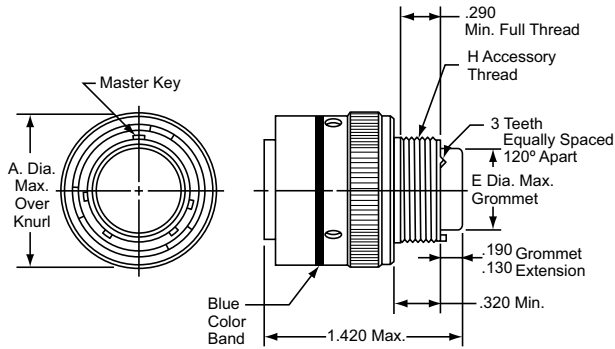
Connector Type	Connector Style (Bayonet) and Contact Type	Service Class	Shell Size & Insert Arrg	Alt. Keying Position or Alt. Rotation	Modification Number
Military	JM83723 /73 (with socket contacts)	X	X-X	X	
Military	JM83723 /74 (with pin contacts)	X	X-X	X	
Commercial	IMB 34	X	X-X	X	XXX



Shell Size	A	B Max.	C Max.	D Dia.	E Dia. Max.	F	H Accessory Thread Class 2A	J Mounting Thread Class 2A
8	.596/.590	.979	.829	.536/.531	.305	.137/.097	.5000-20 UNF	.6250-20 UN
10	.721/.715	1.104	.954	.659/.654	.405	.137/.097	.6250-24 UNEF	.7500-20 UNEF
12	.908/.902	1.291	1.142	.829/.824	.531	.113/.097	.7500-20 UNEF	.9375-20 UNEF
14	.971/.965	1.391	1.205	.898/.893	.665	.137/.097	.8750-20 UNEF	1.0000-20 UNEF
16	1.096/1.090	1.516	1.329	1.025/1.020	.790	.137/.097	1.0000-20 UNEF	1.1250-20 UN
18	1.220/1.214	1.641	1.455	1.131/1.126	.869	.137/.097	1.0625-18 UNEF	1.2500-18 UNEF
20	1.345/1.339	1.766	1.579	1.256/1.251	.994	.137/.097	1.1875-18 UNEF	1.3750-18 UNEF
22	1.470/1.464	1.954	1.705	1.381/1.376	1.119	.169/.128	1.3125-18 UNEF	1.5000-20 UNEF
24	1.595/1.589	2.079	1.829	1.506/1.501	1.244	.168/.128	1.4375-18 UNEF	1.6250-18 UNEF

All dimensions are in (inches)

Straight Plug with Bayonet Coupling



How to order

Connector Type	Connector Style (Bayonet) and Contact Type	Service Class	Shell Size & Insert Arrg	Alt. Keying Position or Alt. Rotation
Military	JM83723 /75 (with socket contacts)	X	X-X	X
Military	JM83723 /76 (with pin contacts)	X	X-X	X

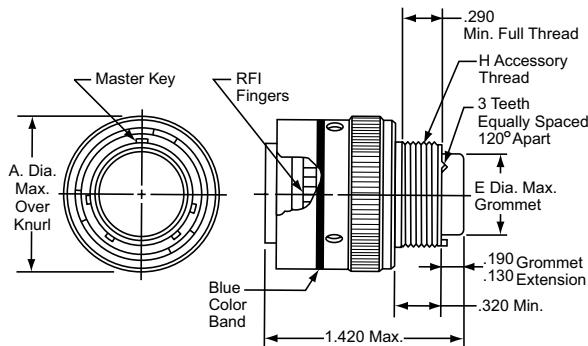
Connector Type (Bayonet)	Connector Style	Service Class	Shell Size & Insert Arrg	Contact Type	Alt. Keying Position or Alt. Rotation	Modification Number
Commercial	IMB	36	X	X-X	X	XXX

Shell Size	A Dia. Max.	E Dia. Max.	H Accessory Thread Class2A
8	.776	.305	.5000-20 UNF
10	.906	.405	.6250-24 UNEF
12	1.078	.531	.7500-20 UNEF
14	1.141	.665	.8750-20 UNEF
16	1.266	.790	1.0000-20 UNEF
18	1.375	.869	1.0625-18 UNEF
20	1.510	.994	1.1875-18 UNEF
22	1.625	1.119	1.3125-18 UNEF
24	1.760	1.244	1.4375-18 UNEF

All dimensions are in (inches)

M83723/77 & /78 – MIL-DTL-83723, Series III

Straight Plug, Bayonet Coupling (with RFI grounding fingers)



How to order

Connector Type	Connector Style (Bayonet) and Contact Type	Service Class	Shell Size & Insert Arrg	Alt. Keying Position or Alt. Rotation
Military	JM83723 /77 (with socket contacts)	X	X-X	X
Military	JM83723 /78 (with pin contacts)	X	X-X	X

Connector Type (Bayonet)	Connector Style	Service Class	Shell Size & Insert Arrg	Contact Type	Alt. Keying Position or Alt. Rotation	Modification Number
Commercial	IMB	38	X	X-X	X	XXX

Shell Size	A Dia. Max.	E Dia. Max.	H Accessory Thread Class2A
8	.776	.305	.5000-20 UNF
10	.906	.405	.6250-24 UNEF
12	1.078	.531	.7500-20 UNEF
14	1.141	.665	.8750-20 UNEF
16	1.266	.790	1.0000-20 UNEF
18	1.375	.869	1.0625-18 UNEF
20	1.510	.994	1.1875-18 UNEF
22	1.625	1.119	1.3125-18 UNEF
24	1.760	1.244	1.4375-18 UNEF

All dimensions are in (inches)

How to Order – Threaded Coupling Connectors

	1.	2.	3.	4.	5.
MIL-DTL-83723, Series III	Connector Type	Connector Style (Threaded) and Contact Type	Service Class	Shell Size/ Insert Arrangement	Alternate Keying Position of Shell or Alternate Rotation of Insert
MILITARY	JM83723	/84	R	0803	N

	1.	2.	3.	4.	5.	6.	7.
Amphenol MIL-DTL-83723, Series III	Connector Type (Threaded)	Connector Type	Service Class	Shell Size/ Insert Arrangement	Contact Type	Alternate Keying Position of Shell or Alternate of Insert	Modification Number
COMMERCIAL	IMT	34	R	0803	P	7	XXX

Step 1. Military Connector Type

JM83723	Designates MIL-DTL-83723 Series III Connectors
----------------	--

Step 2. Select a Connector Style

(Refer to military specification slash sheet number).

	Designates
/82	Wall Mount Receptacle with Socket Contacts
/83	Wall Mount Receptacle with Pin Contacts
/84	Jam Nut Receptacle with Socket Contacts
/85	Jam Nut Receptacle with Pin Contacts
/86	Standard Straight Plug with Socket Contacts
/87	Standard Straight Plug with Pin Contacts
/91	Straight Plug with RFI grounding, Socket Contacts
/92	Straight Plug with RFI grounding, Pin Contacts
/95	Straight Plug with Self-Locking Clutch Plate, Socket Contacts
/96	Straight Plug with Self-Locking Clutch Plate, Pin Contacts
/97	Straight Plug with Self-Locking Clutch Plate, Socket Contact Class (N & S)
/98	Straight Plug with Self-Locking Clutch Plate, Pin Contact Class (N & S)

Step 3. Select a Service Class

	Designates
A	Aluminum shell, black non-conductive anodize finish, fluid resistant insert
R	Aluminum shell, electroless nickel finish, fluid resistant insert
G	Stainless steel shell, passivated, fluid resistant insert
W	Aluminum shell, olive drab cadmium plated, fluid resistant insert
Z	Aluminium Shell, Black Zinc Nickel finish, fluid resistant insert
K	Stainless Steel Shell, Passivated, fluid resistant insert & fire wall
S	Stainless Steel Shell, Passivated, fluid resistant insert fire wall, RFI grounding, self locking
N	N Stainless Steel Shell, Electroless Nickel finish, fluid resistant insert & fire wall RFI grounding, self locking

Step 4. Select a Shell Size & Insert Arrangement from chart.

First number represents Shell Size, second number is the Insert Arrangement. (Note that shell size 28 is not an MS connector, and should be ordered by commercial number.)

Step 5. Select an Alternate Keying Position-Rotation of master key/keyway of shell.

Use N for normal. Use 6, 7, 8, 9 or Y for alternate keying positions.

or Step 5. Select an Alternate Rotation of Insert.

Use N for normal. Use 1, 2, 3, 4, or 5 for alternate rotation of insert.

Step 1. Commercial Connector Type

IMT	Designates Amphenol Threaded Coupling Connectors
------------	--

Step 2. Select a Connector Style

	Designates
30	Wall Mount Receptacle
34	Jam Mount Receptacle
36	Standard Straight Plug
38	Straight Plug with RFI grounding fingers
37	Straight Plug with Self-Locking Clutch Plate
40	Straight Plug with Self-Locking Clutch Plate Class N & S firewall

Step 3. Select a Service Class

	Designates
A	Aluminum shell, black non-conductive anodize finish, fluid resistant insert
R	Aluminum shell, electroless nickel finish, fluid resistant insert
G	Stainless steel shell, passivated, fluid resistant insert
W	Aluminum shell, olive drab cadmium plated, fluid resistant insert
Z	Aluminium Shell, Black Zinc Nickel finish, fluid resistant insert
K	Stainless Steel Shell, Passivated, fluid resistant insert & fire wall
S	Stainless Steel Shell, Passivated, fluid resistant insert fire wall, RFI grounding, self locking
N	Stainless Steel Shell, Electroless Nickel finish, fluid resistant insert & fire wall RFI grounding, self locking

Step 4. Select a Shell Size & Insert Arrangement from chart

First number represents Shell Size, second number is the Insert Arrangement.

Step 5. Select a Contact Type

	Designates
P	Pin Contacts
S	Socket Contacts

Step 6. Select an Alternate Keying Position-Rotation of master key/keyway of shell.

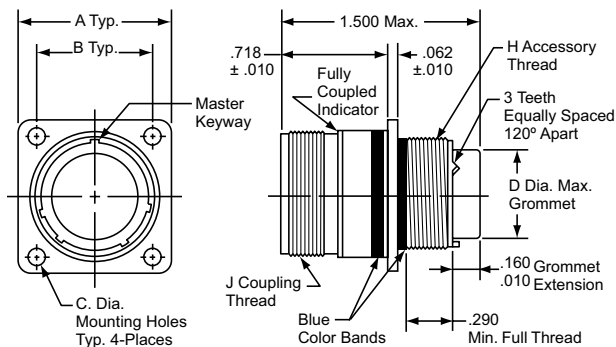
Use 6, 7, 8, 9 or Y for alternate keying positions. No letter required for normal (No rotation position).

or Step 6. Select an Alternate Rotation of

Use 1, 2, 3, 4, or 5 for alternate rotation of insert. No letter required for normal (No rotation position).

or Step 7. Modification Number Contact Amphenol India.

Wall Mounting Receptacle with Threaded Coupling



How to order

Connector Type	Connector Style (Threaded) and Contact Type	Service Class	Shell Size & Insert Arrg	Alt. Keying Position or Alt. Rotation
Military	JM83723 /82 (with socket contacts)	X	X-X	X
Military	JM83723 /83 (with pin contacts)	X	X-X	X

Connector Type (Threaded)	Connector Style	Service Class	Shell Size & Insert Arrg	Contact Type	Alt. Keying Position or Alt. Rotation	Modification Number
Commercial	IMT	30	X	X-X	X	XXX

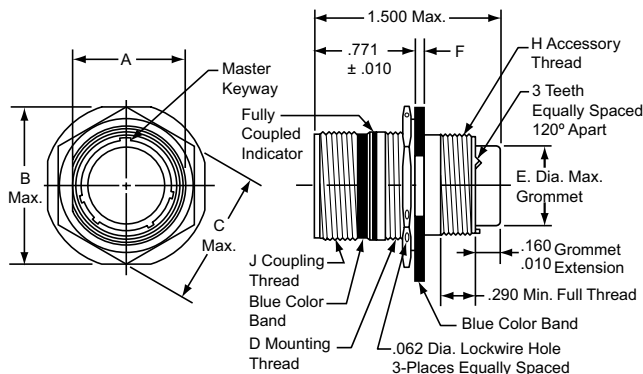
Shell Size	A ±.005	B ±.005	C Dia.	D Dia. Max.	H Accessory Thread Class 2A	J Mounting Thread Class 2A
8	.812	.594	.125/.116	.305	.5000-20 UNEF	.5625-24 UNEF
10	.937	.719	.125/.116	.405	.6250-24 UNEF	.6875-24 UNEF
12	1.031	.812	.125/.116	.531	.7500-20 UNEF	.8750-20 UNEF
14	1.125	.906	.125/.116	.665	.8750-20 UNEF	.9375-20 UNEF
16	1.250	.969	.125/.116	.790	1.0000-20 UNEF	1.0625-18 UNEF
18	1.343	1.062	.125/.116	.869	1.0625-18 UNEF	1.1875-18 UNEF
20	1.437	1.156	.125/.116	.994	1.1875-18 UNEF	1.3125-18 UNEF
22	1.562	1.250	.125/.116	1.119	1.3125-18 UNEF	1.4375-18 UNEF
24	1.703	1.375	.154/.145	1.244	1.4375-18 UNEF	1.5625-18 UNEF
28*	2.000	1.562	.154/.145	1.465	1.7500-18 UNS	1.8125-16 UN

*Shell size 28 is not a MS connector; order by commercial part number.

All dimensions for reference only.
All dimensions are in (inches)

M83723/84 & /85 – MIL-DTL-83723, Series III

Jam Nut Receptacle with Threaded Coupling



How to order

Connector Type	Connector Style (Threaded) and Contact Type	Service Class	Shell Size & Insert Arrg	Alt. Keying Position or Alt. Rotation
Military	JM83723 /84 (with socket contacts)	X	X-X	X
Military	JM83723 /85 (with pin contacts)	X	X-X	X

Connector Type (Threaded)	Connector Style	Service Class	Shell Size & Insert Arrg	Contact Type	Alt. Keying Position or Alt. Rotation	Modification Number
Commercial	IMT	34	X	X-X	X	XXX

Shell Size	A ±.003	B Max.	C Max.	D Mounting Thread	E Dia. Max.	F	H Accessory Thread Class 2A	J Mounting Thread Class 2A
8	.593	.980	.828	.6250-20 UN	.305	.137/.097	.5000-20 UNEF	.5625-24 UNEF
10	.718	1.104	.953	.7500-20 UNEF	.405	.137/.097	.6250-24 UNEF	.6875-24 UNEF
12	.905	1.291	1.140	.9375-20 UNEF	.531	.137/.097	.7500-20 UNEF	.8750-20 UNEF
14	.968	1.391	1.250	1.0000-20 UNEF	.665	.137/.097	.8750-20 UNEF	.9375-20 UNEF
16	1.093	1.516	1.329	1.1250-18 UNEF	.790	.137/.097	1.0000-20 UNEF	1.0625-18 UNEF
18	1.217	1.641	1.455	1.2500-18 UNEF	.869	.137/.097	1.0625-18 UNEF	1.1875-18 UNEF
20	1.342	1.766	1.642	1.3750-18 UNEF	.994	.137/.097	1.1875-18 UNEF	1.3125-18 UNEF
22	1.467	1.954	1.705	1.5000-18 UNEF	1.119	.148/.128	1.3125-18 UNEF	1.4375-18 UNEF
24	1.592	2.079	1.892	1.6250-18 UNEF	1.244	.148/.128	1.4375-18 UNEF	1.5625-18 UNEF
28*	1.840	2.330	2.145	1.8750-20 UN	1.465	.148/.128	1.7500-18 UNS	1.8125-16 UN

*Shell size 28 is not a MS connector; order by commercial part number.

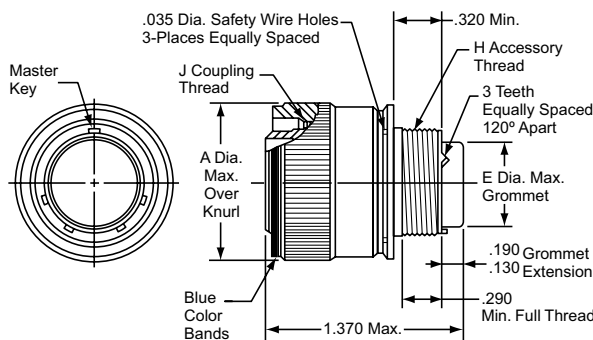
All dimensions are in (inches)

Straight Plug with Threaded Coupling

How to order

	Connector Type	Connector Style (Threaded) and Contact Type	Service Class	Shell Size & Insert Arrg	Alt. Keying Position or Alt. Rotation
Military	JM83723	/86 (with socket contacts)	X	X-X	X
Military	JM83723	/87 (with pin contacts)	X	X-X	X

	Connector Type (Threaded)	Connector Style	Service Class	Shell Size & Insert Arrg	Contact Type	Alt. Keying Position or Alt. Rotation	Modification Number
Commercial	IMT	36	X	X-X	X	X	XXX



Shell Size	A Dia. Max.	E Dia. Max.	H Accessory Thread Class 2A	J Mounting Thread Class 2B
8	.756	.305	.5000-20 UNF	.5625-24 UNEF
10	.906	.405	.6250-24 UNEF	.6875-24 UNEF
12	1.078	.531	.7500-20 UNEF	.8750-20 UNEF
14	1.141	.665	.8750-20 UNEF	.9375-20 UNEF
16	1.266	.790	1.0000-20 UNEF	1.0625-18 UNEF
18	1.375	.869	1.0625-18 UNEF	1.1875-18 UNEF
20	1.510	.994	1.1875-18 UNEF	1.3125-18 UNEF
22	1.625	1.119	1.3125-18 UNEF	1.4375-18 UNEF
24	1.760	1.244	1.4375-18 UNEF	1.5625-18 UNEF
28*	2.050	1.465	1.7500-18 UNS	1.8125-18 UN

* Shell size 28 is not a MS connector; order by commercial part number. All dimensions are in (inches)

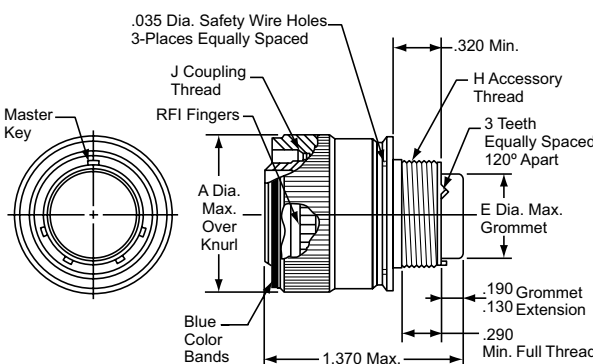
M83723/91 & /92 – MIL-DTL-83723, Series III

Straight Plug, Threaded Coupling (With RFI Grounding Fingers)

How to order

	Connector Type	Connector Style (Threaded) and Contact Type	Service Class	Shell Size & Insert Arrg	Alt. Keying Position or Alt. Rotation
Military	JM83723	/91 (with socket contacts)	X	X-X	X
Military	JM83723	/92 (with pin contacts)	X	X-X	X

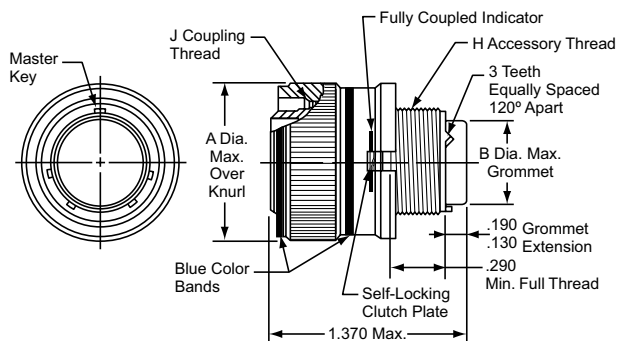
	Connector Type (Threaded)	Connector Style	Service Class	Shell Size & Insert Arrg	Contact Type	Alt. Keying Position or Alt. Rotation	Modification Number
Commercial	IMT	38	X	X-X	X	X	XXX



Shell Size	A Dia. Max.	E Dia. Max.	H Accessory Thread Class 2A	J Mounting Thread Class 2B
8	.756	.305	.5000-20 UNF	.5625-24 UNEF
10	.906	.405	.6250-24 UNEF	.6875-24 UNEF
12	1.078	.531	.7500-20 UNEF	.8750-20 UNEF
14	1.141	.665	.8750-20 UNEF	.9375-20 UNEF
16	1.266	.790	1.0000-20 UNEF	1.0625-18 UNEF
18	1.375	.869	1.0625-18 UNEF	1.1875-18 UNEF
20	1.510	.994	1.1875-18 UNEF	1.3125-18 UNEF
22	1.625	1.119	1.3125-18 UNEF	1.4375-18 UNEF
24	1.760	1.244	1.4375-18 UNEF	1.5625-18 UNEF
28*	2.050	1.465	1.7500-18 UNS	1.8125-18 UN

* Shell size 28 is not a MS connector; order by commercial part number. All dimensions are in (inches)

Straight Plug with Threaded Coupling (Self-Locking)



How to order

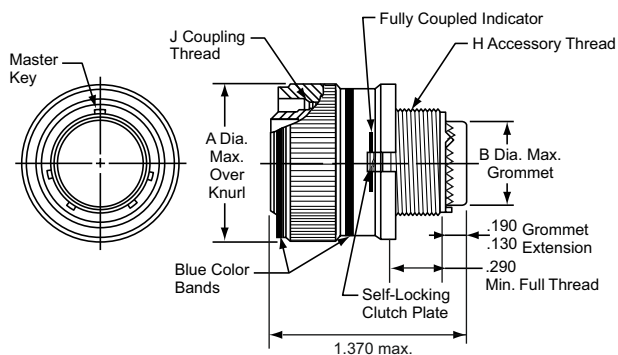
Connector Type	Connector Style (Threaded) and Contact Type	Service Class	Shell Size & Insert Arrg	Alt. Keying Position or Alt. Rotation	
Military	JM83723	/95 (with socket contacts)	X	X-X	X
Military	JM83723	/96 (with pin contacts)	X	X-X	X

Connector Type (Threaded)	Connector Style	Service Class	Shell Size & Insert Arrg	Contact Type	Alt. Keying Position or Alt. Rotation	Modification Number
Commercial	IMT	37	X	X-X	X	XXX

Shell Size	A Dia. Max.	B Dia. Max.	H Accessory Thread Class 2A	J Mounting Thread Class 2B
8	.832	.305	.5000-20 UNF	.5625-24 UNEF
10	.959	.405	.6250-24 UNEF	.6875-24 UNEF
12	1.097	.531	.7500-20 UNEF	.8750-20 UNEF
14	1.236	.665	.8750-20 UNEF	.9375-20 UNEF
16	1.360	.790	1.0000-20 UNEF	1.0625-18 UNEF
18	1.428	.869	1.0625-18 UNEF	1.1875-18 UNEF
20	1.586	.994	1.1875-18 UNEF	1.3125-18 UNEF
22	1.703	1.119	1.3125-18 UNEF	1.4375-18 UNEF
24	1.846	1.244	1.4375-18 UNEF	1.5625-18 UNEF
28*	2.165	1.465	1.7500-18 UNS	1.8125-18 UN

* Shell size 28 is not a MS connector; order by commercial part number. All dimensions are in (inches)

M83723/98 & /97- MIL-DTL-83723 Series III



How to order

Connector Type	Connector Style (Threaded) and Contact Type	Service Class	Shell Size & Insert Arrg	Alt. Keying Position or Alt. Rotation	
Military	JM83723	/97 (with socket contacts)	X	X-X	X
Military	JM83723	/98 (with pin contacts)	X	X-X	X

Connector Type (Threaded)	Connector Style	Service Class	Shell Size & Insert Arrg	Contact Type	Alt. Keying Position or Alt. Rotation	Modification Number
Commercial	IMT	40	X	X-X	X	XXX

Shell Size	A Dia. Max.	B Dia. Max.	H Accessory Thread Class 2A	J Mounting Thread Class 2B
8	.832	.305	.5000-20 UNF	.5625-24 UNEF
10	.959	.405	.6250-24 UNEF	.6875-24 UNEF
12	1.097	.531	.7500-20 UNEF	.8750-20 UNEF
14	1.236	.665	.8750-20 UNEF	.9375-20 UNEF
16	1.360	.790	1.0000-20 UNEF	1.0625-18 UNEF
18	1.428	.869	1.0625-18 UNEF	1.1875-18 UNEF
20	1.586	.994	1.1875-18 UNEF	1.3125-18 UNEF
22	1.703	1.119	1.3125-18 UNEF	1.4375-18 UNEF
24	1.846	1.244	1.4375-18 UNEF	1.5625-18 UNEF
28*	2.165	1.465	1.7500-18 UNS	1.8125-18 UN

* Shell size 28 is not a MS connector; order by commercial part number. All dimensions are in (inches)

How to Order – Quick-Disconnect Coupling

	1.	2.	3.	4.	5.
MIL-DTL-83723, Series III	Connector Type	Connector Style (Quick Disconnect) & Contact Type	Service Class	Shell Size/ Insert Arrangement	Alternate Keying Position of Shell or Alternate Rotation of Insert
MILITARY	JM83723	/66	R	0803	N

	1.	2.	3.	4.	5.	6.	7.
Amphenol MIL-DTL-83723, Series III	Connector Type (Quick Disconnect)	Connector Type	Service Class	Shell Size/ Insert Arrangement	Contact Type	Alternate Keying Position of Shell or Alternate Rotation of Insert	Modification Number
COMMERCIAL	IMQ	35	R	0803	P	7	XXX

Step 1. Military Connector Type

JM83723	Designates MIL-DTL-83723 Series III Connectors
----------------	--

Step 2. Select a Connector Style

(Refer to military specification slash sheet number).

	Designates
/66	Straight Plug without Lanyard, Pin Contacts
/67	Straight Plug without Lanyard, Socket Contacts
/68	Straight Plug with Lanyard, Pin Contacts
/69	Straight Plug with Lanyard, Socket Contacts

Step 3. Select a Service Class

	Designates
A	Aluminum shell, black non-conductive anodize finish, fluid resistant insert
R	Aluminum shell, electroless nickel finish, fluid resistant insert
G	Stainless steel shell, passivated, fluid resistant insert
W	Aluminum shell, olive drab cadmium plated, fluid resistant insert

Step 4. Select a Shell Size & Insert Arrangement from chart

Shell Size & Insert Arrangements are together in one chart. First number represents Shell Size, second number is the Insert Arrangement. (Note that shell size 28 is not an MS connector, and should be ordered by commercial number.)

Step 5. Select an Alternate Keying Position-Rotation of master key/keyway of shell.

Use N for normal. Use 6, 7, 8, 9 or Y for alternate keying positions.

or Step 5. Select an Alternate Rotation of Insert.

Use N for Normal. Use 1, 2, 3, 4, or 5 for alternate rotation of insert.

Step 1. Commercial Connector Type

IMQ	Designates Amphenol Quick Disconnect Coupling Connectors
------------	--

Step 2. Select a Connector Style

	Designates
35	Straight Plug with Lanyard
36	Straight Plug without Lanyard
38	Straight Plug with Lanyard, RFI grounding finger (No Mil-Spec equivalent)

Step 3. Select a Service Class

	Designates
A	Aluminum shell, black non-conductive anodize finish, fluid resistant insert
R	Aluminum shell, electroless nickel finish, fluid resistant insert
G	Stainless steel shell, passivated, fluid resistant insert
W	Aluminum shell, cadmium olive drab finish, corrosion resistant, fluid resistant insert

Step 4. Select a Shell Size & Insert Arrangement from chart on page 349.

Shell Size & Insert Arrangements are together in one chart. First number represents Shell Size, second number is the Insert Arrangement.

Step 5. Select a Contact Type

	Designates
P	Pin Contacts
S	Socket Contacts

Step 6. Select an Alternate Keying Position-Rotation of master key/keyway of shell.

Use 6, 7, 8, 9 or Y for alternate keying positions. No letter required for normal (No rotation position).

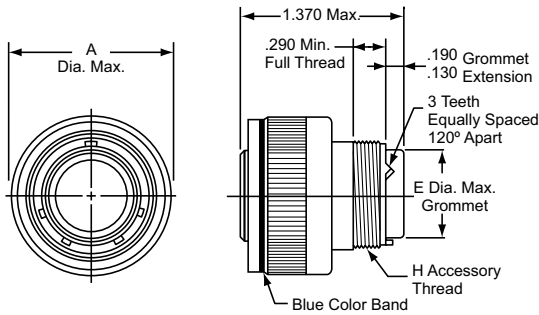
or Step 6. Select an Alternate Rotation of Insert.

Use 1, 2, 3, 4, or 5 for alternate rotation of insert. No letter required for normal (No rotation position).

or Step 7. Modification Number

Consult Amphenol India for information.

Quick-Disconnect Plug



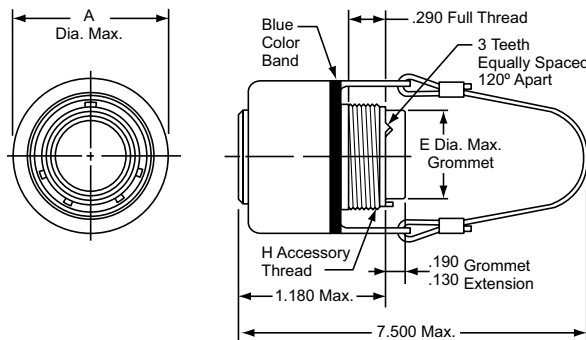
How to order

Connector Type	Connector Style (Quick Disconnect) and Contact Type	Service Class	Shell Size & Insert Arrg	Alt. Keying Position or Alt. Rotation
Military	JM83723 /67 (with socket contacts)	X	X-X	X
Military	JM83723 /66 (with pin contacts)	X	X-X	X

Connector Type (Quick Disconnect)	Connector Style	Service Class	Shell Size & Insert Arrangement	Contact Type	Alt. Keying Position or Alt. Rotation	Modification Number
Commercial	IMQ	36	X	X-X	X	XXX

M83723/68 & /69 – MIL-DTL-83723, Series III

Quick-Disconnect Plug with Lanyard



How to order

Connector Type	Connector Style (Quick-Disconnect) and Contact Type	Service Class	Shell Size & Insert Arrg	Alt. Keying Position or Alt. Rotation
Military	JM83723 /69 (with socket contacts)	X	X-X	X
Military	JM83723 /68 (with pin contacts)	X	X-X	X

Connector Type (Quick Disconnect)	Connector Style	Service Class	Shell Size & Insert Arrg	Contact Type	Alt. Keying Position or Alt. Rotation	Modification Number
Commercial	IMQ	36	X	X-X	X	XXX
Commercial (No Mil-spec Equivalent)	IMQ	38	X	X-X	X	XXX

Adapter for Mating Quick-Disconnect Plugs with Receptacles

Shell Size	A Dia. Max.	E Dia. Max.	H Accessory Thread Class 2A
8	1.095	.305	.5000-20 UNF
10	1.240	.405	.6250-24 UNEF
12	1.432	.531	.7500-20 UNEF
14	1.490	.665	.8750-20 UNEF
16	1.711	.790	1.0000-20 UNEF
18	1.815	.869	1.0625-18 UNEF
20	1.962	.994	1.1875-18 UNEF
22	2.070	1.119	1.3125-18 UNEF
24	2.195	1.244	1.4375-18 UNEF

Receptacle Adapter

Required to mate the quick-disconnect plug with receptacle. Not furnished with the quick-disconnect plug; must be ordered separately.

Note: Use Loctite Material on the threads for a permanent installation to the shell.

How to Order Adapter by Commercial Part Number
I2500-007-0X XX

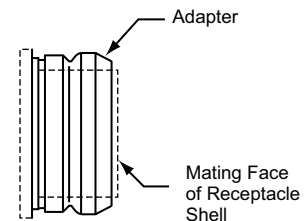
Finish | ShellSize

00 designates aluminum, electroless nickel, Class R
01 designates aluminum, hard anodize, Class A
03 designates aluminum, cadmium plate, Class W
02 designates stainless steel, Class G

How to Order Adapter by Military Part Number
JM83723/70 X XX

Finish | ShellSize

R designates aluminum, electroless nickel, Class R
A designates aluminum, hard anodize, Class A
W designates aluminum, cadmium plate, Class W
G designates stainless steel, Class G



Contact, Sealing Plugs, Crimping and Insertion/Removal Tools Information

MIL-DTL-83723, SERIES III CRIMP CONTACTS

Contact Size	Wire Range		Socket Contacts	Pin Contacts
	AWG	mm ²	Military Part Number	Military Part Number
20	24-20	0.2-0.6	M39029/5-115	M39029/4-110
16	20-16	0.5-1.4	M39029/5-116	M39029/4-111
12	14-12	2-3	M39029/5-118	M39029/4-113

CONTACT CURRENT RATING AND RETENTION

Contact Size	Current Rating		Contact Retention	
	Amperes Max.	Voltage Drop Millivolts	Axial Load	
			lb.	N
20	7.5	35	20	89.0
16	13.0	25	25	111.2
12	23.0	25	30	133.4

SEALING PLUGS

Contact Size	Sealing Plugs	
	Military Part Number	Amphenol Part Number
20	MS27488-20	I3400-043-0020
16	MS27488-16	I3400-043-0016
12	MS27488-12	I3400-043-0012

* Organize individual circuits to maintain heat rise within operating temperature requirements.

CRIMPING TOOLS

Contact Size	Wire Range		Finished Wire Dia. Range		Crimping Tool Part Number	Turret or Positioner Part Number
	AWG	mm ²	Inch	mm		
20	24-20	0.2-0.6	.040-.083	1.02-2.11	M22520/1-01 or M22520/2-01	M22520/1-02 or M22520/2-02
16	20-16	0.5-1.4	.053-.103	1.34-2.62	M22520/1-01	M22520/1-02
12	14-12	2-3	.097-.158	2.46-4.01	M22520/1-01	M22520/1-02

INSERTION/REMOVAL TOOLS

Contact Size	Color Code	Military Part Number	Amphenol Part Number
20	Red/White	M81969/14-11	I6500-001-0020
16	Blue/White	M81969/14-03	I6500-001-0016
12	Yellow/White	M81969/14-04	I6500-001-0012

Note: Each connector is furnished with contacts, one spare for insert's requiring 1 to 26 of each contact, two spares for insert's with more than 26 contacts and a minimum of one sealing plug up to 10% of the number of contacts.

How to Order – Protective Covers

	1.	2.	3.	4.	5.
MIL-DTL-83723, Series III	Protective Covers	Specification Sheet No. & Dash No.	Shell Size	Service Class	Termination Style
MILITARY	JM83723	/60-1	XX	XX	X

	1.	2.	3.	4.	5.
Amphenol MIL-DTL-83723, Series III	Protective Covers	Specification Sheet No. & Dash No.	Shell Size	Service Class	Termination Style
COMMERCIAL	IMT	/60-1	XX	XX	X

Step 1. Military Protective Type

JM83723	Designates MIL-DTL-83723 Series III Protective Connectors
----------------	---

Step 1. Commercial Protective Cap

IMB	Designates Amphenol Bayonet Protective Cover
IMT	Designates Amphenol Threaded Protective Cover

Step 2. Specification Sheet

60-1	Protective Cover, Receptacle, Threaded Coupling
60-2	Protective Cover, Receptacle, Bayonet Coupling
59-1	Protective Cover, Plug, Threaded Coupling
59-2	Protective Cover, Plug, Bayonet Coupling

Step 2. Specification Sheet

60-1	Protective Cover, Receptacle, Threaded Coupling
60-2	Protective Cover, Receptacle, Bayonet Coupling
59-1	Protective Cover, Plug, Threaded Coupling
59-2	Protective Cover, Plug, Bayonet Coupling

Step 3. Select a Service Class

8, 10, 12, 14, 16, 18, 20, 22, 24

Step 3. Select a Service Class

8, 10, 12, 14, 16, 18, 20, 22, 24

Step 4. Select a Service Class

W	Aluminium, Olive Drab Cadmium Plated
R	Aluminium, Electroless Nickel Finish
A	Aluminium, Black Non-Conductive Anodize Finish
Z	Aluminium, Black Zinc Nickel Finish

Step 4. Select a Service Class

W	Aluminium, Olive Drab Cadmium Plated
R	Aluminium, Electroless Nickel Finish
A	Aluminium, Black Non-Conductive Anodize Finish
Z	Aluminium, Black Zinc Nickel Finish

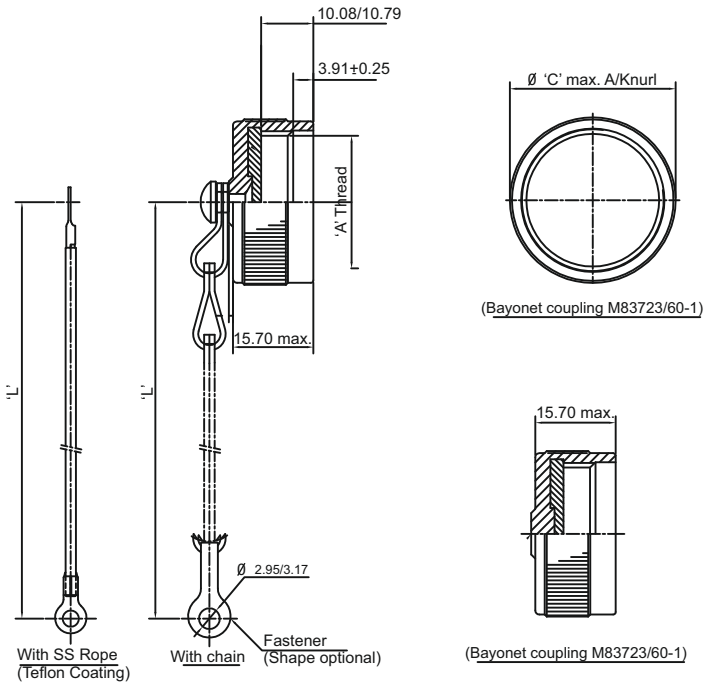
Step 5. Termination Style

C	With A Chain Length Of 127mm +6.35mm
N	Without Chain
R	With A Rope Length Of 127mm +6.35mm
P	With A Chain Length Of 203.2mm +6.35mm
T	With A Rope Length Of 203.20mm +6.35mm

Step 5. Termination Style

C	With A Chain Length Of 127mm +6.35mm
N	Without Chain
R	With A Rope Length Of 127mm +6.35mm
P	With A Chain Length Of 203.2mm +6.35mm
T	With A Rope Length Of 203.2mm +6.35mm

Protective Cover For Receptacle Threaded Connectors



All dimensions are in mm.

How to order

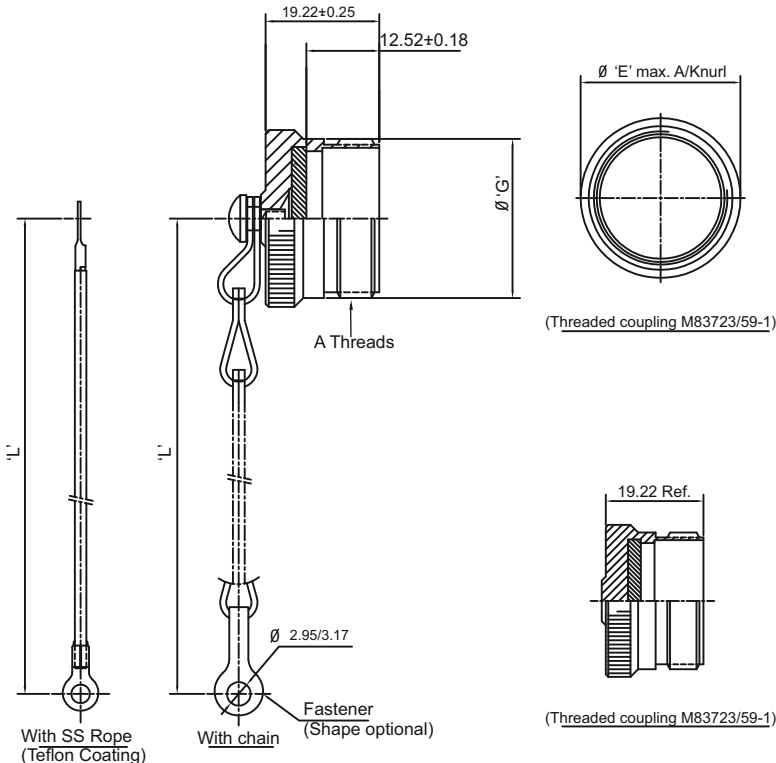
MIL-DTL-83723 Series III	Protective Covers	Specification Sheet No. & Dash No.	Shell Size	Service Class	Termination Style
Military	JM83723	/60-1	X	X	X

Commercial	IMT	/ 60-1	X	X	X
------------	-----	--------	---	---	---

Shell Size	'A' Thread -UNEF-2A	∅ 'C' max.	'L' +6.35 -0.0	'L' +6.35 -0.0
8	0.5625-24	19.71	127.0	203.20
10	0.6875-24	23.01		
12	0.8750-20	27.38		
14	0.9375-20	28.98		
16	1.0625-18	32.16		
18	1.1875-18	34.93		
20	1.3125-18	38.35		
22	1.4375-18	41.28		
24	1.5625-18	44.70		

MIL-DTL-83723/59 Series III And MIL-DTL-26500 Series III

Protective Cover For Plug Threaded Connectors



All dimensions are in mm.

How to order

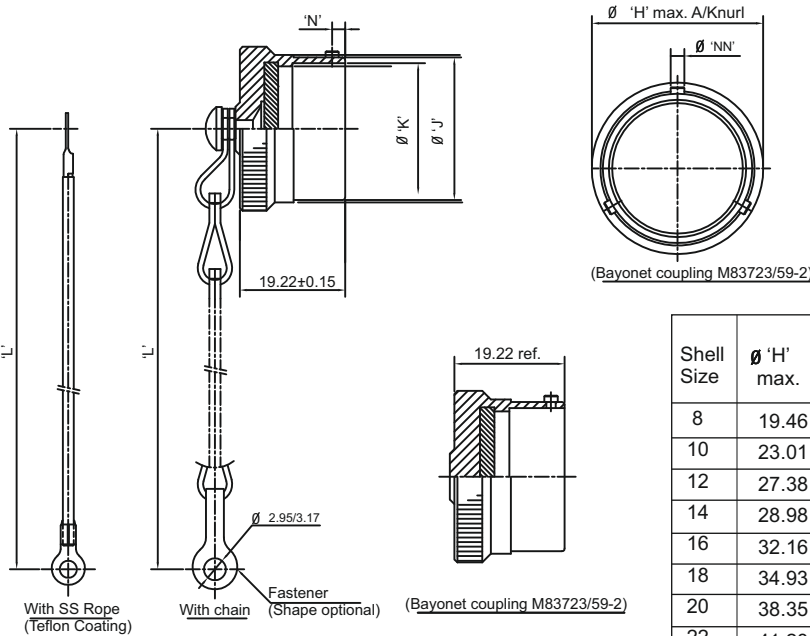
MIL-DTL-83723 Series III	Protective Covers	Specification Sheet No. & Dash No.	Shell Size	Service Class	Termination Style
Military	JM83723	/59-1	X	X	X

Commercial	IMT	/ 59-1	X	X	X
------------	-----	--------	---	---	---

Shell Size	'A' Thread -UNEF-2A	∅ 'E' max.	∅ 'G' max.	'L' +6.35 -0.0	'L' +6.35 -0.0
8	0.5625-24	19.71	14.25	127.0	203.20
10	0.6875-24	23.01	17.68		
12	0.8750-20	27.38	22.23		
14	0.9375-20	28.98	23.75		
16	1.0625-18	32.16	26.97		
18	1.1875-18	34.93	30.15		
20	1.3125-18	38.35	33.32		
22	1.4375-18	41.28	36.50		
24	1.5625-18	44.70	39.67		

Protective Cover For Bayonet Plug Connectors

How to order



MIL-DTL-83723 Series III	Protective Covers	Specification Sheet No. & Dash No.	Shell Size	Service Class	Termination Style
Military	JM83723	/59-2	X	X	X

Commercial	IMB	/59-2	X	X	X
------------	-----	-------	---	---	---

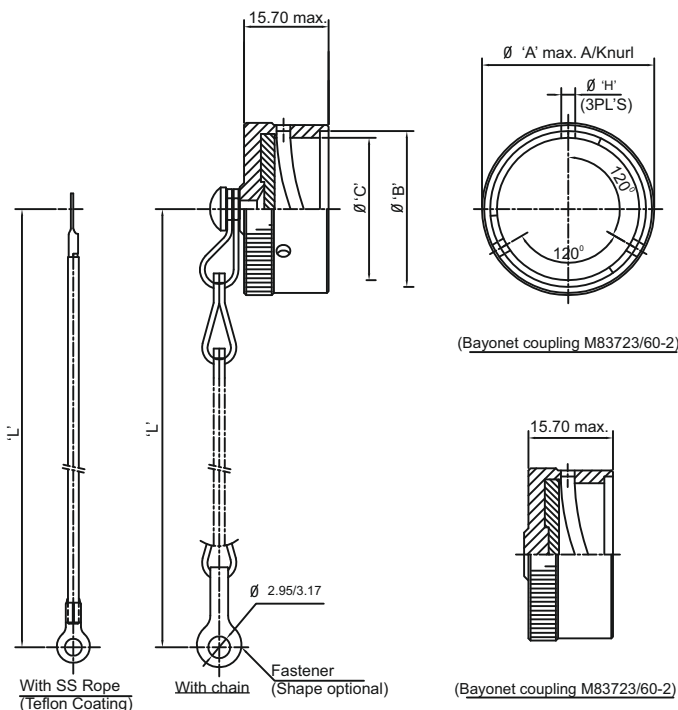
Shell Size	Ø 'H' max.	Ø 'J' +0.0 -0.13	Ø 'K' +0.13 -0.0	Ø 'N' +0.0 -0.10	Ø 'NN' +0.0 -0.08	'L' +6.35 -0.0	'L' +6.35 -0.0
8	19.46	13.61	12.07	2.57	1.98	127.0	203.20
10	23.01	16.74	14.63	2.39	2.36		
12	27.38	21.06	18.95	2.39	2.36		
14	28.98	22.81	20.70	2.39	2.36		
16	32.16	26.04	23.93	2.39	2.36	127.0	203.20
18	34.93	28.73	26.62	2.39	2.36		
20	38.35	31.90	29.74	2.39	2.36		
22	41.28	35.08	32.94	2.39	2.36		
24	44.70	38.25	36.07	2.39	2.36		

All dimensions are in mm.

MIL-DTL-83723/60 Series III And MIL-DTL-26500 Series III

Protective Cover For Bayonet Receptacle Connectors

How to order



MIL-DTL-83723 Series III	Protective Covers	Specification Sheet No. & Dash No.	Shell Size	Service Class	Termination Style
Military	JM83723	/60-2	X	X	X

Commercial	IMB	/60-2	X	X	X
------------	-----	-------	---	---	---

Shell Size	Ø 'A' max.	Ø 'B' max.	Ø 'C' +0.13 -0.0	Ø 'H' min.	'L' +6.35 -0.0	'L' +6.35 -0.0
8	19.71	16.20	13.72	2.01		
10	23.01	19.40	16.81			
12	27.38	23.80	21.13			
14	28.98	25.50	22.89			
16	32.16	28.70	26.11			
18	34.93	31.50	28.80	2.39	127.0	203.20
20	38.35	34.60	32.03			
22	41.28	37.80	35.15			
24	44.70	40.90	38.38			

All dimensions are in mm.

SERIES HERMETIC

TABLE OF CONTENTS	Page
Hermetic Connector Introduction	19
Performance Characteristics	20
MIL-DTL- 83723	21
MIL-DTL-83723/88, SR. III, Hermetic Square Flange Mount Receptacle, Threaded Coupling	22
MIL-DTL-83723/89, SR. III, Hermetic Jam Nut Receptacle, Threaded Coupling	23
MIL-DTL-83723/90, SR. III, Hermetic Solder/Weld Mount Receptacle, Threaded Coupling	24
MIL-DTL-83723/79, SR. III, Hermetic Square Flange Receptacle, Bayonet Coupling	25
MIL-DTL-83723/80 & 93 SR. III, Hermetic Solder/Weld Mount Receptacle, Bayonet Coupling	26
MIL-DTL-83723/81&94 SR. III, Hermetic Jam Nut Receptacle, Bayonet Coupling	27

INTRODUCTION

The Amphenol MIL-DTL-83723, Series III family of connectors have proven technology for severe environments and are widely used in commercial and military aerospace markets.

Amphenol 83723 connectors incorporate many advantageous features, such as a unique threaded coupling mechanism that provides greater resistance to decoupling.

This coupling mechanism eliminates the need for safety wiring and tends to couple during vibration-thus offering the user added assurance and a margin of safety.

FEATURES

Hermetic:

Hermetic styles are available in threaded and bayonet receptacles with solderwell or flat eyelet termination. PC Tail designs are available on request.

Environmental:

Designed for environmental moisture sealing with fused compression glass sealed inserts.

High Temperature Hermetics:

200°C and 260°C firewall also available. Contact factory for more details.



HERMETIC CONNECTOR PERFORMANCE CHARACTERISTICS

Thermal Shock	No damage detrimental to the operation of the connector occurs when subjected to 10 cycles of thermal shock from 0°C to 90°C and back to 0°C.
Physical Shock (Mated)	300 G's
Mature Resistance (Mated)	500 Megohms
Insulation Resistance, High Temp.(Mated)	500 Megohms
Corrosion (Unmated)	Complies with MIL-DTL-83723 Req.
Temperature Life	Fully functional for 1000 hours at 200°C (392°F) ambient, Internal temperature 238°C (460°F).
Air Leakage (Unmated)	Less than 01 micron per cubic feet per hour on application of 15 PDS pressure differential across the connector
Altitude Immersion (Mated)	After 3 cycles immersed in salt water with pressure reduced to 1 in. Hg (75,000 ft. attitude) for 30 minutes and returned to atmosphere pressure. While connectors submerged insulation resistance should remain 1000 megohms minimum and support 1500 volts RMS applied without flash-over or breakdown.
High Potential Voltage Altitude (Unmated)	When tested in accordance with ME-STD-202, Method 301, no flash-over or breakdown under simulated aude conditions as shown: Attitude Service Rating I 50,000.....500 AC-RMS 70,000.....375 AC RMS 110,000.....200 AC-RMS

HERMETIC STYLE CONNECTORS

- Hermetic styles are available in threaded and bayonet receptacles with solderwell or flat eyelet termination. PC Tail Designs are available on request.
- Designed for environmental moisture sealing with fused compression glass sealed inserts
- High temperature Hermetics 200°C and 260°C

DESIGN FEATURES (THREADED STYLE SHOWN)

- MIL-DTL-83723, Series III family of connectors have proven technology for severe environments and are widely used in commercial and military aerospace markets.
- 83723 Series III high temperature styles are capable of operation at 260° C/500°F. Contact factory for more details.
- The Amphenol 83723 family provides hermetic class that exceed the most stringent specification requirements

MIL-DTL-83723 Series III

How to order-Hermetic & Military Commercial

	1	2	3	4	5
MILITARY HERMETIC	Connector Type	Connector Style and Contact Type	Service Class	Shell Size/ Insert Arrangement	Alternate Keying Position of Shell
	JM 83723	/88	Y	16-24	6

	1	2	3	4	5	6
COMMERCIAL HERMETIC	Connector Type	Shell Style	Service Class	Shell Size/ Insert Arrangement	Contact Type	Alternate Keying Position of Shell
	IMT	57	Y	16-24	P	6

1. MILITARY CONNECTOR TYPE	
Jm83723	Designates MIL-DTL-83723 Series III Connectors

2. MILITARY HERMETIC CONNECTOR TYPE	
/88	Hermetic, Threaded Square Flange Receptacle
/89	Hermetic, Threaded Jam Nut (D-Hole Mount) Receptacle
/90	Hermetic, Threaded Solder Mounted Receptacle
/79	Hermetic, Bayonet Coupling Square Flange Receptacle
/80	Hermetic, Bayonet Coupling Solder Flange Mount Receptacle
/81	Bayonet Coupling Jam-Nut Mount Receptacle
/93	Bayonet Coupling Solder Flange Mount Receptacle with Straight Pin Contacts
/94	Hermetic, Bayonet Coupling Jam-Nut Mount Receptacle with Straight Pin

3. SERVICE CLASS	
H	Steel shell, Class H, Solderwell contacts, electro-deposited tin plated shell.
J	Steel shell, Class J, eyelet contacts, electro-deposited tin plated shell.
L	Stainless Steel, Class L, eyelet contacts electro-deposited nickel plated shell.
N	Stainless Steel, Class N, Solderwell contacts, electro-deposited Nickel plated shell.
P	Stainless Steel Shell Passivated finish, Class P, Eyelet contacts
Y	Stainless Steel, Class Y, Solderwell contacts

Straight PC tail pin contacts, also available. Contact factory for more details.

4. SHELL SIZE & INSERT ARRANGEMENT	
Page no. 3	First number present Shell Size, second number is the insert arrangement.

5. ALTERNATE KEYING POSITION - ROTATION	
Page no. 3	Use N for normal. Use 6,7,8,9 or Y for alternate key positions. See page no. 3 for descriptions

1. COMMERCIAL HERMETIC CONNECTOR STYLE	
IMT	Designates Amphenol Thread Coupling connector
IMB	Designates Amphenol Bayonet Coupling connector

2. SHELL STYLE	
-57	Square Flange Receptacle
-59	Jam Nut (D-Hole Mount) Receptacle
-54	Solder Mounted Receptacle

3. SERVICE CLASS	
H	Steel shell, Class H, Solderwell contacts, electro-deposited tin plated shell.
J	Steel shell, Class J, eyelet contacts, electro-deposited tin plated shell.
L	Stainless Steel, Class L, eyelet contacts electro-deposited nickel plated shell.
N	Stainless Steel, Class N, Solderwell contacts, electro-deposited Nickel plated shell.
P	Stainless Steel Shell Passivated finish, Class P, Eyelet contacts
Y	Stainless Steel, Class Y, Solderwell contacts

Straight PC tail pin contacts, also available. Contact factory for more details.

4.SHELL SIZE & INSERT ARRANGEMENT	
Page no. 4	First number presents Shell Size, second number is the insert arrangement.

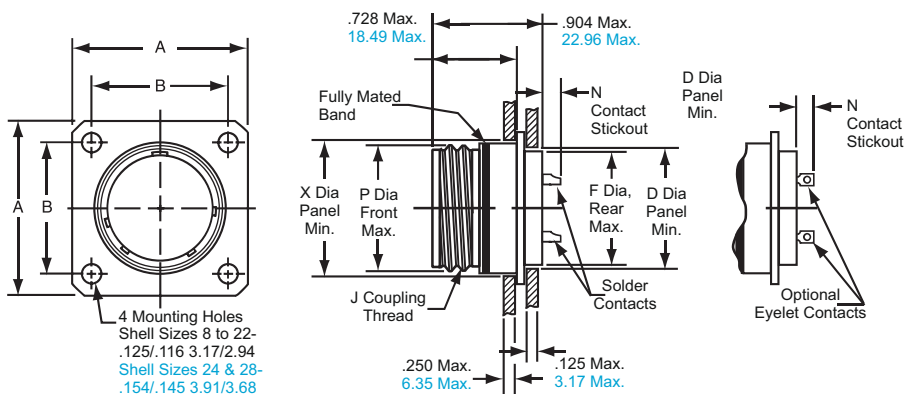
5.CONTACT TYPE	
	PIN Contacts.

6.ALTERNATE KEYING POSITION - ROTATIONPIN	
Page no. 3	Use N for normal. Use 6, 7, 8, 9 or Y for alternate keying positions. See page no 3 for descriptions.

JM83723/88 Hermetic Square Flange Mount Receptacle, Threaded Coupling, Solder & Eyelet Contact Termination.

MILITARY
JM83723/88H
JM83723/88J
JM83723/88L
JM83723/88N
JM83723/88P
JM83723/88Y

COMMERCIAL
IMT57-H
IMT57-J
IMT57-L
IMT57-N
IMT57-P
IMT57-Y



When Fully Mated with plug, this band will be covered.

Inches

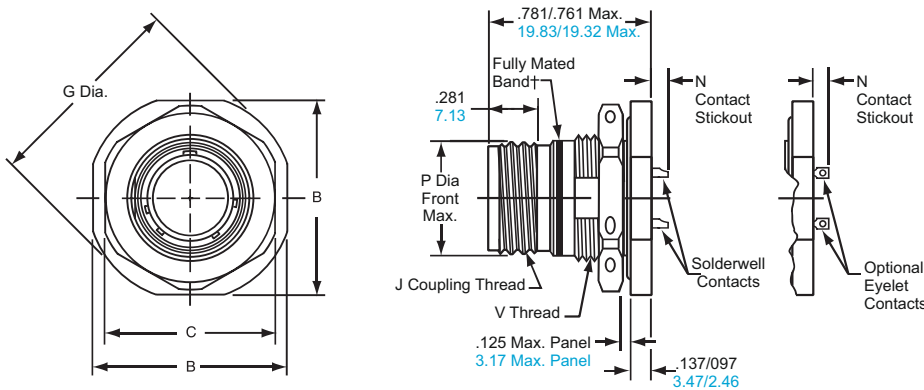
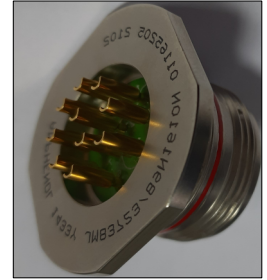
Shell Size	A ±.010	B ±.005	D Dia Panel Min.	F Dia Rear Max.	J Coupling Thread Class 2A	N Contact Stickout		P Dia Front Max.	X Dia Panel Min.
						Size 20 Contacts	Size 12&16 Contacts		
8	.812	.594	.510	.500	.5625-24 UNF	.194/.134	.224/.164	.562	.572
10	.937	.719	.635	.625	.6875-24 UBEF	.194/.134	.224/.164	.636	.706
12	1.031	.812	.760	.750	.8750-20 UNEF	.194/.134	.224/.164	.875	.885
14	1.125	.906	.885	.875	.9375-20 UNEF	.194/.134	.224/.164	.936	.946
16	1.250	.969	1.010	1.000	1.0625-18 UNEF	.194/.134	.224/.164	1.062	1.072
18	1.343	1.062	1.072	1.062	1.1875-18 UNEF	.194/.134	.224/.164	1.187	1.197
22	1.562	1.250	1.322	1.312	1.4375-18 UNEF	.194/.134	.224/.164	1.437	1.447

Millimeters

Shell Size	A ±.25	B ±.13	D Dia Panel Min.	F Dia Rear Max.	N Contact Stickout		P Dia Front Max.	X Dia Panel Min.
					Size 20 Contacts	Size 12&16 Contacts		
8	20.62	15.09	12.95	12.70	4.93/3.40	5.69/4.17	14.27	15.75
10	23.80	18.26	16.13	15.88	4.93/3.40	5.69/4.17	17.68	18.99
12	26.19	20.62	19.30	19.05	4.93/3.40	5.69/4.17	22.23	23.19
14	28.58	23.01	22.48	22.23	4.93/3.40	5.69/4.17	23.77	24.89
16	31.75	24.61	25.65	25.40	4.93/3.40	5.69/4.17	26.97	28.12
18	34.11	26.97	27.23	26.97	4.93/3.40	5.69/4.17	30.15	30.71
22	39.67	31.75	33.58	33.32	4.93/3.40	5.69/4.17	36.50	36.88

JM83723/89 Hermetic Jam Nut (D-Hole Mount) Receptacle, Threaded Coupling, Solder & Eyelet Contact Termination.

MILITARY	COMMERCIAL
JM83723/89H	IMT59-H
JM83723/89J	IMT59-J
JM83723/89L	IMT59-L
JM83723/89N	IMT59-Y
JM83723/89P	IMT59-P
JM83723/89Y	IMT59-Y



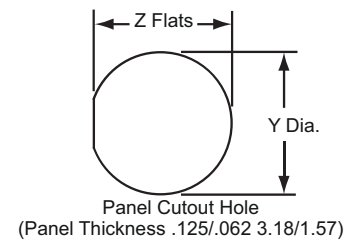
When Fully Mated with plug, this band will be covered.

Inches

Shell Size	B Flats Max.	C Hex Max.	G Dia Max.	J Coupling Thread Class 2A	N Contact Stickout		P Dia Front Max.	V Thread Class 2A	Y Dia ±.005	Z Flats ±.005
					Size 20 Contacts	Size 12&16 Contacts				
8	.980	.828	1.068	.5625-24 UNF	.180/.120	.210/.150	.562	.6250-20 UNF	.635	.605
10	1.104	.953	1.192	.6875-24 UBEF	.180/.120	.210/.150	.696	.7500-20 UBEF	.760	.730
12	1.291	1.140	1.380	.8750-20 UNEF	.180/.120	.210/.150	.875	.9380-20 UNEF	.947	.917
14	1.391	1.205	1.505	.9375-20 UNEF	.180/.120	.210/.150	.936	1.0000-20 UNEF	1.010	.980
16	1.516	1.329	1.630	1.0625-18 UNEF	.180/.120	.210/.150	1.062	1.1250-18 UNEF	1.135	1.105
18	1.641	1.455	1.756	1.1875-18 UNEF	.180/.120	.210/.150	1.187	1.2500-18 UNEF	1.260	1.225
22	1.954	1.705	2.068	1.4375-18 UNEF	.180/.120	.210/.150	1.437	1.5000-18 UNEF	1.510	1.475

Millimeters

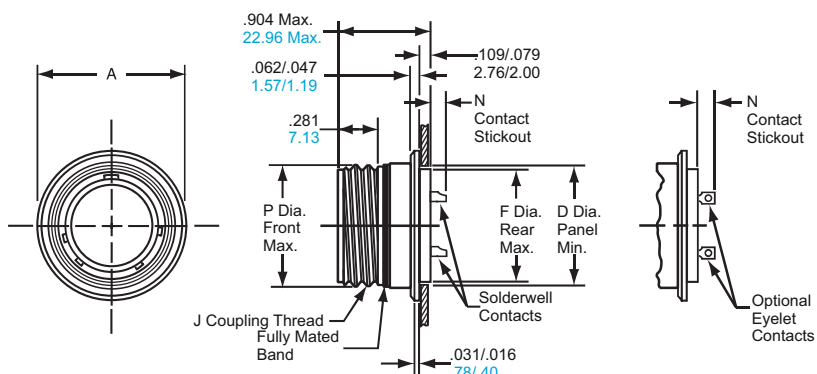
Shell Size	B Flats Max.	C Hex Max.	G Dia Max.	N Contact Stickout		P Dia Front Max.	Y Dia ±.13	Z Flats ±.13
				Size 20 Contacts	Size 12&16 Contacts			
8	24.89	21.03	27.13	4.57/3.05	5.33/3.81	14.27	16.13	15.37
10	28.04	24.21	30.28	4.57/3.05	5.33/3.81	17.68	19.30	18.54
12	32.79	28.96	35.05	4.57/3.05	5.33/3.81	22.23	24.05	23.29
14	35.33	30.61	38.23	4.57/3.05	5.33/3.81	23.77	25.65	24.89
16	38.51	33.76	41.40	4.57/3.05	5.33/3.81	26.97	28.83	28.07
18	41.68	36.96	44.60	4.57/3.05	5.33/3.81	30.15	32.00	31.12
22	49.63	43.31	52.53	4.57/3.05	5.33/3.81	36.47	38.35	37.47



JM83723/90 Hermetic Solder/Weld Mount Receptacle, Receptacle, Threaded Coupling, Solder & Eyelet Contact Termination.

MILITARY
JM83723/90H
JM83723/90J
JM83723/90L
JM83723/90N
JM83723/90P
JM83723/90Y

COMMERCIAL
IMT54-H
IMT54-J
IMT54-L
IMT54-Y
IMT54-P
IMT54-Y



When Fully Mated with plug, this band will be covered.

Inches

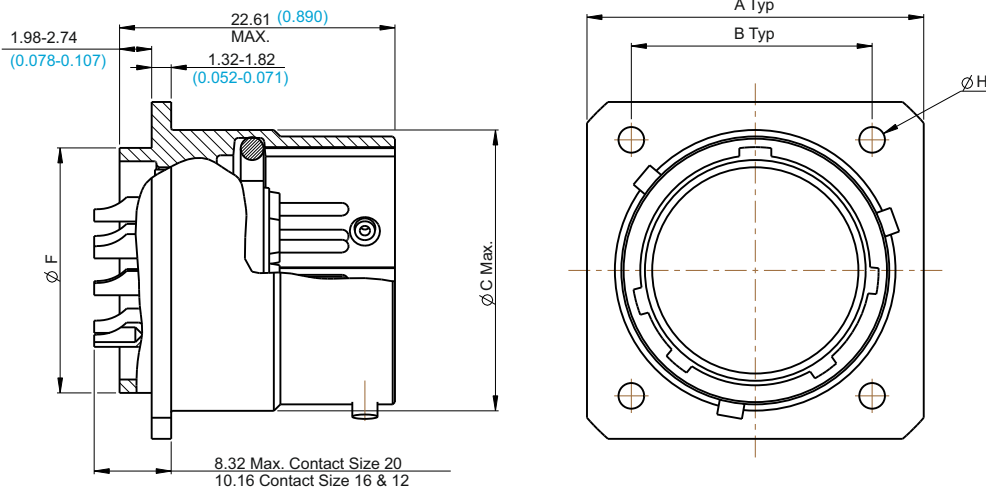
Shell Size	A ±.010	D Dia Panel Min.	F Dia Rear Max.	J Coupling Thread Class 2A	N Contact Stickout		P Dia Front Max.
					Size 20 Contacts	Size 12&16 Contacts	
8	.713.	.510	.500	.5625-24 UNF	.194/.134	.224/.164	.562
10	.840	.572	.562	.6875-24 UBEF	.194/.134	.224/.164	.696
12	1.045	.760	.750	.8750-20 UNEF	.194/.134	.224/.164	.875
14	1.090	.822	.812	.9375-20 UNEF	.194/.134	.224/.164	.936
16	1.210	.947	.937	1.0625-18 UNEF	.194/.134	.224/.164	1.062
18	1.340	1.072	1.062	1.1875-18 UNEF	.194/.134	.224/.164	1.187
22	1.590	1.322	1.312	1.4375-18 UNEF	.194/.134	.224/.164	1.437

Millimeters

Shell Size	A ±.25	D Dia Panel Min.	F Dia Rear Max.	N Contact Stickout		P Dia Front Max.
				Size 20 Contacts	Size 12&16 Contacts	
8	18.11	12.95	12.70	4.93/3.40	5.69/4.17	14.27
10	21.34	14.53	14.27	4.93/3.40	5.69/4.17	17.68
12	26.564	19.30	19.05	4.93/3.40	5.69/4.17	22.23
14	27.69	20.88	20.62	4.93/3.40	5.69/4.17	23.77
16	30.73	24.05	23.80	4.93/3.40	5.69/4.17	26.97
18	34.04	27.23	26.97	4.93/3.40	5.69/4.17	30.15
22	40.38	33.58	33.32	4.93/3.40	5.69/4.17	36.50

JM83723/79 Hermetic Bayonet Coupling Square Flange Receptacle Connector With Solder & Eyelet Terminal

MILITARY	COMMERCIAL
JM83723/79H	IMB57-H
JM83723/79J	IMB57-J
JM83723/79L	IMB57-L
JM83723/79P	IMB57-P
JM83723/79Y	IMB57-Y



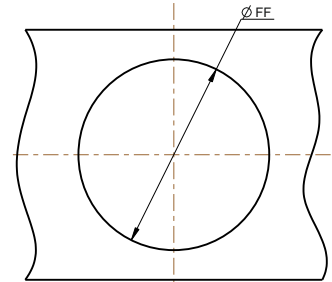
Shell Size	Inches				
	A	B	ØC MAX	ØF ±0.005	ØH ±0.005
8	0.812	0.594	0.561	0.500	0.120
10	0.937	0.719	0.696	0.562	0.120
12	1.031	0.812	0.875	0.750	0.120
14	1.125	0.906	0.935	0.812	0.120
16	1.250	0.969	1.062	0.937	0.120
18	1.343	1.062	1.187	1.062	0.120
20	1.437	1.156	1.312	1.187	0.120
22	1.562	1.250	1.437	1.312	0.120
24	1.703	1.375	1.562	1.437	0.149

Shell Size	Millimeter				
	A	B	ØC MAX	ØF ±0.13	ØH ±0.13
8	20.62	15.09	14.25	12.70	3.05
10	23.80	18.26	17.69	14.27	3.05
12	26.19	20.62	22.23	19.05	3.05
14	28.58	23.01	23.75	20.62	3.05
16	31.75	24.61	26.97	23.80	3.05
18	34.11	26.97	30.15	36.97	3.05
20	36.50	29.36	33.32	30.15	3.05
22	39.67	31.75	36.50	33.32	3.05
24	43.26	34.93	39.67	36.50	3.78

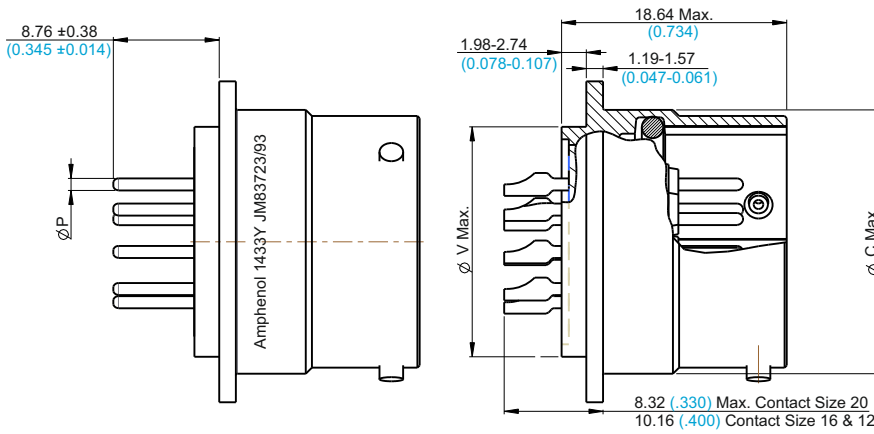
JM83723/80 Hermetic Bayonet Coupling Square Flange Receptacle Connector With Solder & Eyelet Termination.

MILITARY	COMMERCIAL
JM83723/80H	IMB54-H
JM83723/80J	IMB54-J
JM83723/80L	IMB54-L
JM83723/80P	IMB54-P
JM83723/80Y	IMB54-Y
Solderwell & Eyelet Contact.	

MILITARY	MILITARY
JM83723/93H	Contact
JM83723/93Y	Factory
Straight Pin	

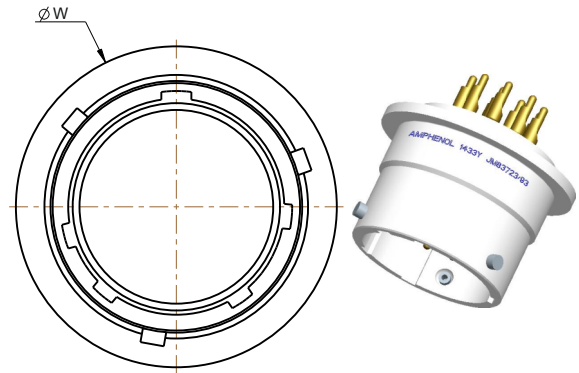


Panel Cutout Details



J M83723/93

J M83723/80



Inches

Shell Size	ϕC MAX ± 0.13	ϕV MAX	ϕW ± 0.02	ϕFF ± 0.005	ϕGG MIN
8	0.561	0.500	0.740	0.510	0.406
10	0.696	0.562	0.840	0.572	0.443
12	0.875	0.750	1.045	0.760	0.668
14	0.935	0.812	1.090	0.822	0.668
16	1.062	0.937	1.210	0.947	0.763
18	1.187	1.062	1.340	1.072	0.862
20	1.312	1.187	1.430	1.197	1.108
22	1.437	1.312	1.590	1.322	1.204
24	1.562	1.437	1.710	1.447	1.388

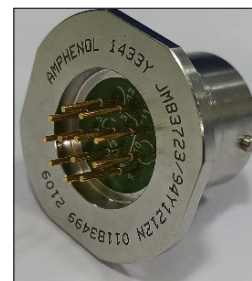
Millimeter

Shell Size	ϕC MAX ± 0.13	ϕV MAX	ϕW	ϕFF ± 0.12	ϕGG MIN
8	14.25	12.70	18.80	12.95	10.31
10	17.67	14.24	21.34	14.53	11.25
12	22.20	19.05	26.54	19.30	16.96
14	23.25	20.62	27.69	20.88	16.96
16	26.97	23.78	30.73	24.05	19.38
18	30.14	26.97	34.04	27.23	21.89
20	33.32	29.94	36.32	30.40	28.14
22	36.50	33.32	40.39	33.58	30.58
24	39.67	36.50	43.33	36.75	35.25

CONTACT SIZE	ϕP 0.05
12	2.39
16	1.57
20	1.02

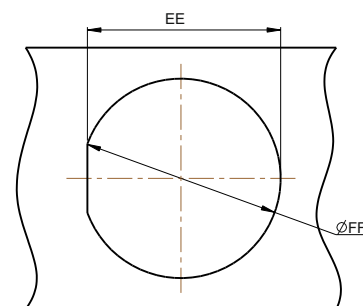
JM83723/81 Hermetic Bayonet Coupling Jam Nut (D-Hole Mount) Receptacle Connector With Solder & Eyelet Termination.

JM83723/94 Hermetic Bayonet Coupling Jam Nut (D-Hole Mount) Receptacle Connector With Straight Pin (PC-Tail) Termination.

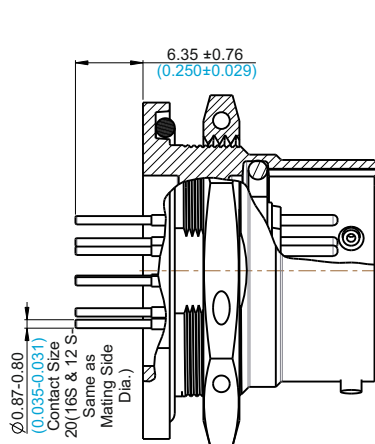


MILITARY	COMMERCIAL
JM83723/81H	IMB59-H
JM83723/81J	IMB59-J
JM83723/81L	IMB59-L
JM83723/81P	IMB59-P
JM83723/81Y	IMB59-Y
Solderwell & Eyelet Contact	

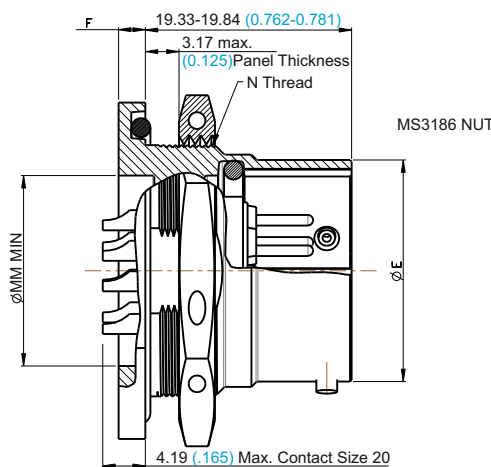
MILITARY	COMMERCIAL
JM83723/94H	CONTACT FACTORY
JM83723/94Y	
Straight Pin	



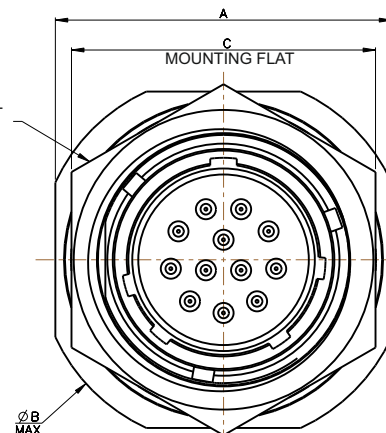
Scale 2.000



JM83723/94



JM83723/81



Shell Size	MM (INCH)								
	A ±0.13 (0.005)	ØB MAX	C ±0.08 (0.003)	ØE ±0.06 (0.002)	F ±0.51 (0.02)	N THREAD	ØMM MIN.	EE PANEL CUTOUT	ØFF PANEL CUTOUT
8	24.87(0.979)	27.13(1.068)	15.06(0.593)	13.55(0.533)	2.97(0.117)	0.625-20 UN-2A	12.52(0.493)	15.37(0.605)	16.13(0.635)
10	28.04(1.104)	30.28(1.192)	18.24(0.718)	16.68(0.657)	2.97(0.117)	0.750-20 UNEF -2A	14.10(0.555)	18.54(0.730)	19.30(0.760)
12	32.79(1.291)	35.05(1.380)	22.99(0.905)	21.00(0.827)	2.97(0.117)	0.9372-20 UNEF -2A	18.87(0.743)	23.30(0.917)	24.05(0.947)
14	35.33(1.391)	38.23(1.505)	24.59(0.968)	22.75(0.896)	2.97(0.117)	1.000-20 UNEF -2A	20.45(0.805)	24.90(0.980)	25.65(1.010)
16	38.51(1.516)	41.40(1.630)	27.76(1.093)	25.98(1.023)	2.97(0.117)	1.125-20 UNEF -2A	23.65(0.931)	28.07(1.105)	28.83(1.135)
18	41.68(1.641)	44.83(1.765)	30.91(1.217)	28.66(1.128)	2.97(0.117)	1.250-18 UNEF -2A	26.80(1.055)	31.22(1.229)	32.00(1.260)
20	44.86(1.766)	47.24(1.860)	34.09(1.342)	31.84(1.254)	2.97(0.117)	1.3675-18 UNEF -2A	31.57(1.243)	34.40(1.354)	35.18(1.385)
22	49.63(1.954)	52.53(2.068)	37.26(1.467)	35.01(1.378)	3.76(0.148)	1.500-18 UNEF -2A	33.15(1.305)	37.57(1.479)	38.35(1.510)
24	52.81(2.079)	54.86(2.160)	40.44(1.592)	38.19(1.504)	3.76(0.148)	1.625-18 UNEF -2A	37.92(1.493)	40.74(1.604)	41.53(1.635)

Notice: All information including illustrations given herein is believed to be accurate at the time of printing. In lieu of design advances Amphenol reserves the right to change specifications without notice. This Publication MIL-DTL-83723 02 Rev. 04 -23 Series III Connectors supercedes all existing Amphenol literature on MIL-DTL-83723 Series Connectors.

NORTH AMERICA

Sales & Product Support

Amphenol PCD
72 Cherry Hill Drive
Beverly, MA 01915 USA
Tel: +1-978-624-3400
Fax: +1-978-927-1513
info@amphenolpcd.com
www.amphenolpcd.com
www.backshellworld.com

Amphenol Aerospace Operations
40-60, Delaware Avenue
Sidney, NY 13838-1395
Tel: +1-607-563-5011
Fax: +1-607-563-5357

Amphenol Canada
Meford Drive
Scarborough,
ON M1B 2X6
Tel: +416-291-4401
Fax: +416-292-0647

Amphenol Fiber Systems International
1300 Central Expressway North
Suite 100 Allen, Texas 75013, USA
Tel: +1-214-547-2400
Fax: +1-214-547-9344

EUROPE

France
Amphenol Socapex S.A.S.
948, Promenade de l'Arve
Bp29, Thyez Cedex
74311, France
Tel: +33-4-5089-2800
Fax: +33-4-5096-1941

United Kingdom
Amphenol Limited
Thanet Way, Whitstable
Kent CT5 3JF, England
Tel: +44-1227-773-200
Fax: 44-1227-276-571

Germany
Amphenol-Air LB GmbH
Am Kleinbahnhof 4
Saarlouis
D-66740, Germany
Tel: 49-6831-9810-00
Fax: 49-6831-9810-30

Italy
Amphenol Military &
Aerospace Operations-
European Sales Operations
Via Barbaiana 5
20020 Lainate
Milano,
Italy+39 02 932 541

Center & East Europe
Amphenol Austria
Wiener Gasse 68
2380 Perchtoldsdorf
Tel: +43-699-10396071
Fax: +43 699 40396071

Amphenol Air-LB
Immeuble Le Doublon
11, Avenue Dobonnet
Courbevoie-Cedex
92407, France
Ph: +33-1-4905-3000
Fax: +33-1-4905-3043

Spain
Amphenol Iberica
Edificio Burgosol Oficina
N 55 C/Comunidad de
Madrid 35 bis -
Las Rozas (Madrid)
Tel: +34-91-6407302
+34-91-6407306
Fax: +34-91-6407307

Holland
Amphenol Benelux
Zadelmaker 121
NL-2401 PD Alphen
aan den Rijn Holland
Tel: +31-172-444903
Fax: +31-172 240254

Sweden
Amphenol
Industrial and Military &
Aerospace
Nordic & Baltic
Military Phone/
Mobile+46702129200
Industrial +46 767909560

ASIA

India
Amphenol Interconnect India Pvt. Ltd.
105 Bhosari Industrial Area
Pune-411026, India
Tel: +9120-6736-0373
Fax: +9120-2712-9158

Japan
Amphenol Japan
471-1, Deba, Ritto City
Shiga 520-3041, Japan
Tel: +81-77-553-8501
Fax: +81-77-551-2200

Singapore
Amphenol East Asia Ltd.
72 Bendemeer Road
03-33 Luzerne
Singapore 339 941
Tel: 65-6294-2128
Fax: 65-6294-3522

China
Amphenol PCD Shenzhen
3/F Building, A4 Songbai
Industrial Park
East Road of Minghuan
Gongming Town, Baon District
Shenzhen, China
Tel: +86-755-8173-8000
Fax: +86-755-8173-8180

Amphenol Interconnect India Pvt. Ltd.
61 Electronics City
Bangalore-560 100, India
Ph: +9180-2852-3838
Fax: +9180-2852-0418

Korea
Amphenol Daeshin Electronics
558 SoSa, SongNae, Bucheon-City
Kyunggi-Do, Korea 420-130
Tel: +82-32-610-3800
Fax: +92-32-673-2507

ROW

Australia
Amphenol Australia Pty Ltd
2 Fiveways Boulevard
Keysborough
VIC 3173
Ph: +61-3-8796-8888
Fax: +61-3-8796-8801

Africa
Amphenol South Africa
30 Impala Road
2196 Sandton-Chislehurst
South Africa
Tel: +27-11-783-9517
Fax: +27-11-783-9519

Russia
Amphenol Russia
8-2 Yaroslavskaja Str
129164 Moscow, Russia
Tel: +7-495-937-6341
Fax: +7-495-937-6319

Argentina
Amphenol Argentina
Avenida Callao 930
2nd Floor, Office B Plaza
C1023AAP Buenos Aires
Argentina
Tel: 54-11-4815-6886
Fax: 54-11-4814-5779

Israel
Amphenol Bar-Tec Ltd.
www.bar-tec.com
3 Hagavish st
POB 2479 Kfar-Saba 44641
Israel+972-9-7644100

Turkey
Amphenol Turkey & Middle East
Sun Plaza Kat:19
Maslak Mah. Bilim Sok.No:5
34398 Sisli - Istanbul
Tel: +90-212-335-2501
Fax: +90-212-335-2500

Brazil
Amphenol do Brasil Ltda
Rua Diogo Moreira 132
CEP 05423-010
Sao Paulo-SP, Brazil
Tel: +55-11-3815-1003

Amphenol

A Global Company



Pune Operations



Bangalore Operations

Amphenol

Interconnect India Pvt. Ltd.

Manufacturing Locations

Corporate Office & Pune Factory
105, Bhosari Industrial Area, Pune - 411 026.
Tel.: 91-20-6736 0305
Fax : 91-20-6736 0321
Email: svpatil@amphenol-in.com

Bangalore Factory
61, Keonics Electronic City, Hosur Road,
Bangalore - 560 102.
Tel.: 91-6679 0900 /910 /937
Fax.: 91-80-2852 0418

www.amphenol-in.com

Marketing Headquarters
Tel.: 91-20-6736 0303, 6736 0304
Fax : 91-20-6736 0321
Email : svpatil@amphenol-in.com

Western Region
Tel.: 91-20-6736 0334
Email : sunilp@amphenol-in.com

Northern & Eastern Region
A-421, Pacific Business Park,
Plot No. 37/1, Sahibabad Indst. Area
Site IV, Ghaziabad (UP) - 201 010.
Tel.: 91-120- 6513 781 /82 /83 /84
Email : sunily@amphenol-in.com

Marketing Locations

Southern Region
No. 1115, 22nd Main Road, 11th Cross,
Sector -1, HSR Layout, Bangalore - 560 102.
Tel.: 91-80-4953 0341, 4953 0345
Fax: 91-80-4953 8697
Email : kmanoj@amphenol-in.com

Central Region
9/17/A&B, 4th Floor, West Block,
Pinnacle Towers, Road No. 6, IDA Nacharam,
Hyderabad - 500076
Tel.: 91-40-2930 2810
Fax.: 91-40-2930 2811
Email : pprasad@amphenol-in.com

Exports
Tel.: 91-20-6736 0371, 6736 0353
Email : shrikantgramopadhye@amphenol-in.com